

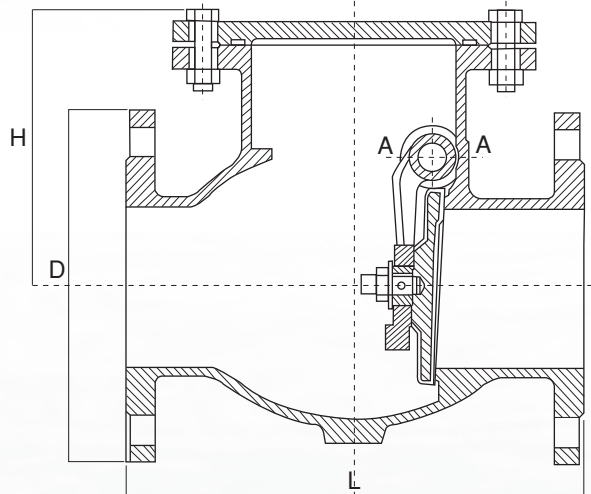


**BS 5153 PN16**

**LYE DUCTILE IRON**

# SWING CHECK VALVE

Model No. : LYE 780 D.I.

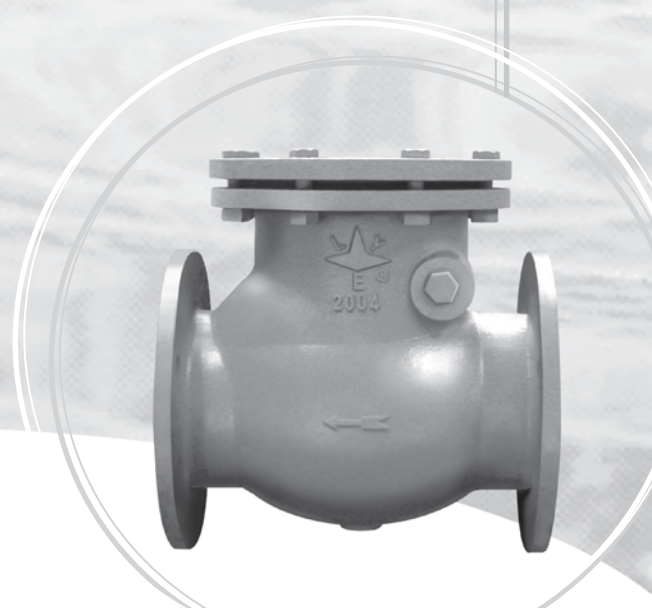


Dimension : mm

Size	50	65	80	100	125	150	200	250	300	350
L	203	216	241	292	330	356	495	622	698	787
D	165	185	200	220	250	285	340	405	460	520
H	135	150	160	185	195	240	265	290	330	375

Material for main parts

Parts	Material	Standard
Body	Ductile Iron	BS EN 1563 450/10
Disc	EPDM Coating	MS672 BS EN681
Core	Ductile Iron	BS EN 1563 450/10
Bolt	Carbon Steel	BS4190
Washer	Carbon Steel	BS4190
Nut	Carbon Steel	BS4190
Hinge	Ductile Iron	BS EN 1563 450/10
Gasket	EPDM	MS672 BS EN681
O-Ring	EPDM	MS672 BS EN681
Cover	Ductile Iron	BS EN 1563 450/10



Registration No.: 1205



The Brand Of Reliability

**LYE MANUFACTURING SDN. BHD. (32836-H)**

Manufacturer of Valves, Hydrants, Joints, Fittings & Manhole Covers.

SALES OFFICE : Lot 36, Jalan BRP 9/2B, Putra Industrial Park, Bukit Rahman Putra, 47000 Sg. Buloh, Selangor Darul Ehsan, Malaysia.

Tel : 603 - 6140 3131 (Hunting Line) Fax : 603 - 6140 5858 Email : lye\_manufacturing@yahoo.com

FACTORY : Lot 1844, Jalan KPB 8, Kampung Baru Belakong, 43300 Kajang, Selangor Darul Ehsan, Malaysia.

Tel : 603 - 8961 1623 Fax : 603 - 8961 1092

WEBSITE : www.lye.com.my