

LYE D.I. FITTINGS



LYE D.I. Y-STRAINER



LYE AIR VALVE - DOUBLE ORIFICE STANDARD



LYE FLANGE ADAPTOR



LYE AIR VALVE - DOUBLE ORIFICE KINETIC



Sluice Valve / Wedge Gate Valves (BS 5163)

Air Valves

- Double Orifice Kinetic, Double Orifice Standard, Single Large Orifice, Single Small Orifice.

LYE D.I. TYPE B SLUICE VALVE



LYE STRAIGHT COUPLING / VA / DJ

Pillar Hydrant c/w Outlet or Landing Valve and other fire-fighting equipment.

Manhole Covers Frames and Valve Chamber with Extension rings.

Ductile Iron Joints for pipeline connection:-

- Detachable Joint (D.J.)
- Variable Adaptor (V.A.)
- Ferrous Saddle



LYE D.I. BUTTERFLY VALVE

Other ferrous / non-ferrous casting products (Cast Iron, Ductile Iron, Bronze, Brass).



LYE BRASS FLOATVALVES



LYE D.I. - SADDLE



LYE D.I. - SWING CHECK VALVE



LYE LEVEL HANDLED TYPE BUTTERFLY VALVE



LYE D.I. BALL VALVE



LYE STAINLESS STEEL MANHOLE STEP



LYE D.I. - PILLAR HYDRANT c/w outlet / landing valve



LYE D.I. - VALVE CHAMBER - 3 SECTION



LYE D.I. - KUMBAHAN MANHOLE COVER & FRAME



LYE PISTON TYPE FLOAT OPERATED VALVES COMPLETE WITH COPPER BALL



Distributed by :



The Brand Of Reliability

LYE MANUFACTURING SDN. BHD. (32836-H)
Manufacturer of Valves, Hydrants, Joints, Fittings & Manhole Covers.
 Lot 1844, Jalan KPB 8, Kampung Baru Balakong, 43300 Kajang, Selangor Darul Ehsan, Malaysia.
FACTORY: Tel : 603 - 8961 1623, Fax : 603 - 8961 1092
SALES: Tel : 603 - 6140 3131 (Hunting Line) Fax : 603 - 6140 5858
WEBSITE: www.lye.com.my
EMAIL: enquiry@lye.com.my



LYE HEAVY DUTY PISTON TYPE FLOAT OPERATED VALVES

COMPLETE WITH COPPER BALL (TO BS 1212)



Features

- Designed to minimise the effect of changing water water pressures.
- Size range from 1 1/4" to 4" in Brass
- High flow rate variation in sizes 2 1/2" to 4".
- Smoothly controlled closure ensures a fast quiet shut off.
- Line pressure assists closing thus reducing the length of lever required.
- One size of seat and one size of ball float suits any working pressure up to 14 bar or the maximum recommended.
- Recommended for temperatures from 0-85°C.



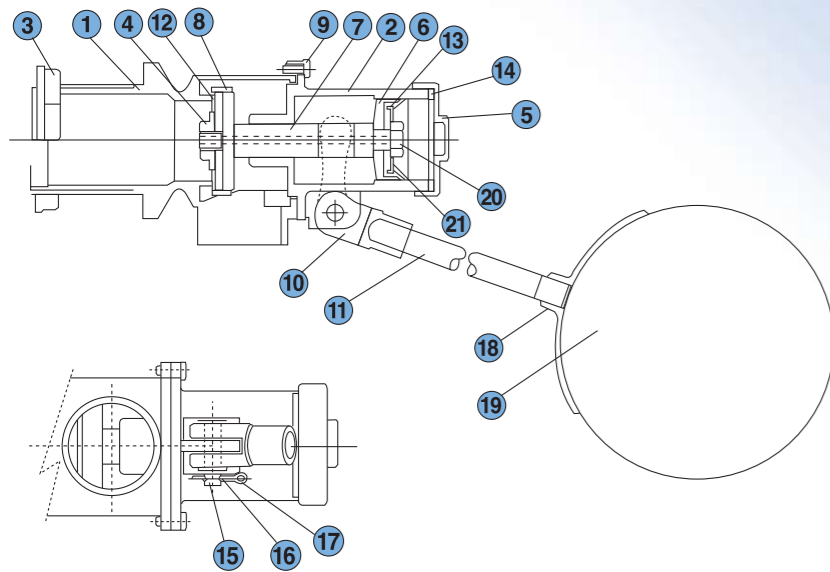
LYE LIGHT DUTY PISTON TYPE FLOAT OPERATED VALVES

COMPLETE WITH COPPER BALL

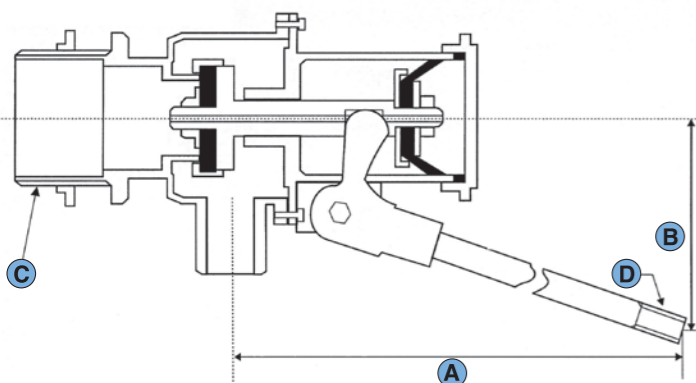


Features

- Conventional design with integral tail and seat
- Size range from 1 1/4" to 2" in Brass
- Suitable for pressures up to 14 bar (200 p.s.i.)
- High and low pressures variations.
- Recommended for temperatures from 0-85°C.



NO.	DESCRIPTION	MATERIAL (STANDARD)
1	BODY	BRASS (BS EN 1982)
2	BONNET	BRASS (BS EN 1982)
3	LOCK NUT	BRASS (BS EN 1982)
4	NUT	BRASS (BS EN 1982)
5	END CAP	BRASS (BS EN 1982)
6	PISTON CAP	BRASS (BS EN 1982)
7	DISK GUIDE	BRASS (BS EN 1982)
8	SEAT CAP	BRASS (BS EN 1982)
9	CAP NUT	STAINLESS STEEL (BS EN 10088-3)
10	ARM HEAD	BRASS (BS EN 1982)
11	ARM	STAINLESS STEEL (BS EN 10088-3)
12	SEAT PACK	EPDM RUBBER
13	SEAT	EPDM RUBBER
14	SEAT PACK	EPDM RUBBER
15	STEM PIN	BRASS ROD (BS 2874)
16	WASHER	BRASS ROD (BS 2874)
17	PIN	BRASS ROD (BS 2874)
18	BALL HEEL	BRASS (BS EN 1982)
19	FLOAT BALL	COPPER (BS 2874)
20	NUT	STAINLESS STEEL (BS EN 10088-3)
21	WASHER	BRASS ROD (BS 2874)

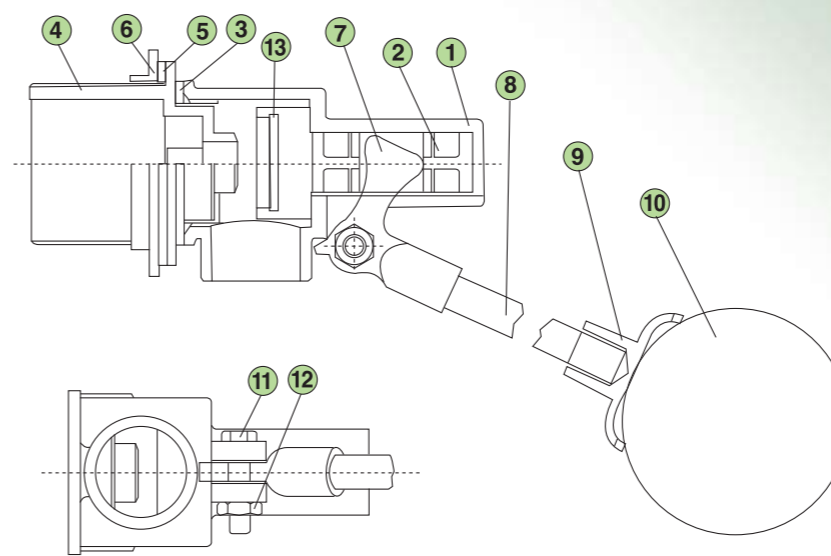


SIZE	1 1/4" 32 mm	1 1/2" 40 mm	2" 50 mm	2 1/2" 65 mm	3" 80 mm	4" 100 mm
------	-----------------	-----------------	-------------	-----------------	-------------	--------------

Technical Specification :

A	600 mm	600 mm	754 mm	757 mm	767 mm	783 mm
B	196 mm	196 mm	197 mm	173 mm	209 mm	185 mm
C	PS 1 1/4"	PS 1 1/2"	PS 2"	PS 2 1/2"	PS 3"	PS 4"
D	1/2" BSW 12	1/2" BSW 12	5/8" BSW 11	5/8" BSW 11	3/4" BSW 10	3/4" BSW 10
Seat Bore	dia. 19 mm	dia. 19 mm	dia. 25 mm	dia. 48 mm	dia. 61 mm	dia. 73 mm

Float Size	dia. 8"	dia. 8"	dia. 10"	dia. 12"	dia. 14"	dia. 14"
------------	---------	---------	----------	----------	----------	----------



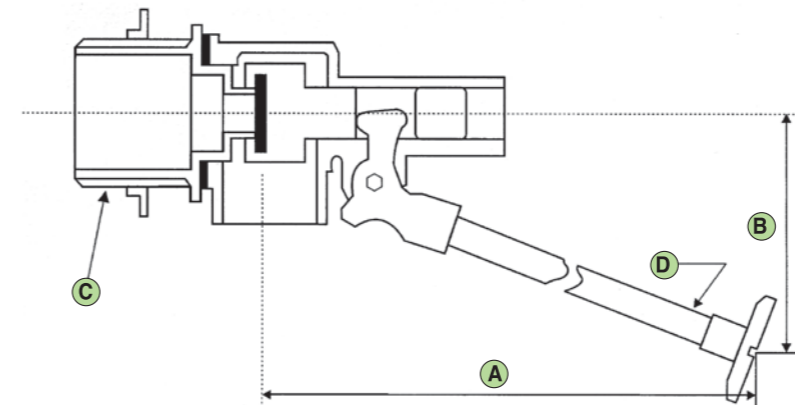
NO.	DESCRIPTION	MATERIAL (STANDARD)
1	BODY	BRASS (BS EN 1982)
2	PISTON	BRASS (BS EN 1982)
3	WASHER	EPDM RUBBER
4	SCREW TUBE	BRASS (BS EN 1982)
5	WASHER	EPDM RUBBER
6	NUT	BRASS (BS EN 1982)
7	LEVEL HEEL	BRASS (BS EN 1982)
8	ARM	BRASS BAR (BS2874)
9	BALL HEEL	BRASS (BS EN 1982)
10	FLOAT BALL	COPPER (BS 2874)
11	SCREW	BRASS (BS EN 1982)
12	SCREW NUT	BRASS (BS EN 1982)
13	WASHER	EPDM RUBBER

SIZE	1 1/4" 32 mm	1 1/2" 40 mm	2" 50 mm
------	-----------------	-----------------	-------------

Technical Specification :

A	602 mm	602 mm	721 mm
B	52 mm	52 mm	92 mm
C	PS 1 1/4"	PS 1 1/2"	PS 2"
D	1/2" BSW 12	1/2" BSW 12	1/2" BSW 12
Seat Bore	dia. 16 mm	dia. 16 mm	dia. 16 mm

Float Size	dia. 8"	dia. 8"	dia. 10"
------------	---------	---------	----------



Please Note: Technical data provided is indicative only and may be subject to change without notice