

MU Series

80 mm – 25 mm Thick



Operating Voltage Range: ±10% (Applies to each voltage)

Materials

- Frame: Die cast aluminum
- Blades: Polycarbonate (Flammability classification V-0)
- Overheat Protection: Impedance protected
- Bearings: Ball bearings



Specifications (RoHS)

Speed Type	Product Name	Voltage VAC	Frequency Hz	Current A	Input W	Speed r/min	Maximum Air Flow m <sup>3</sup> /min	Maximum Static Pressure Pa	Noise Level dB (A)
Standard Speed	<b>MU825S-23</b>	Single-Phase 115	50	0.11	9.5	2750	0.45	34	28
			60	0.09	8.0	3250	0.55	49	35
	<b>MU825S-53</b>	Single-Phase 220 Single-Phase 230 Single-Phase 230	50	0.06	8.5	2750	0.45	34	28
			50	0.07	10.5	2750	0.45	34	28
			60	0.06	8.0	3250	0.55	49	35
			60	0.06	8.0	3250	0.55	49	35

● Safety standards → Page I-2

● In addition to the above products, single-phase 100 VAC and 200 VAC products are also available. Please contact your nearest Oriental Motor sales office.

Product Line

Fans

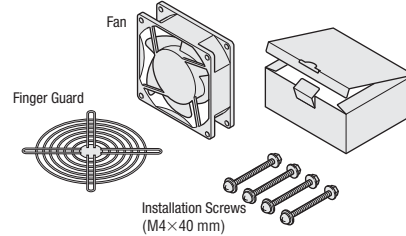
Product Name
<b>MU825S-23</b>
<b>MU825S-53</b>

The following items are included in each product.  
Fan, Operating Manual

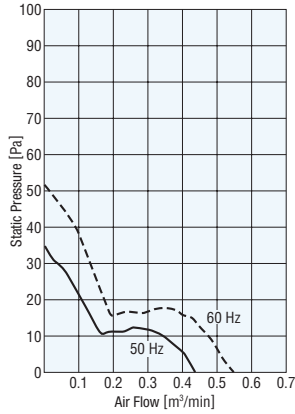
Fan Kit Products

Product Name
<b>T-MU825S-23-G</b>
<b>T-MU825S-53-G</b>

The following items are included in each kit.



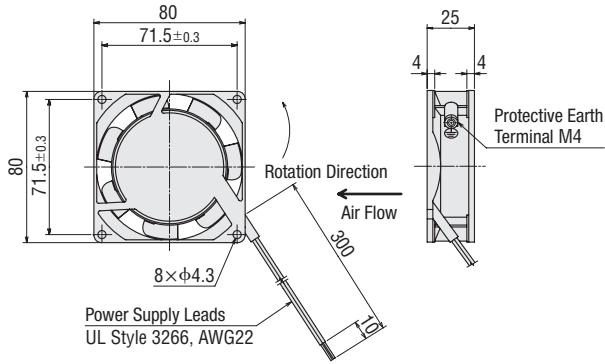
Air Flow – Static Pressure Characteristics (The characteristics are applicable for the fan only.)



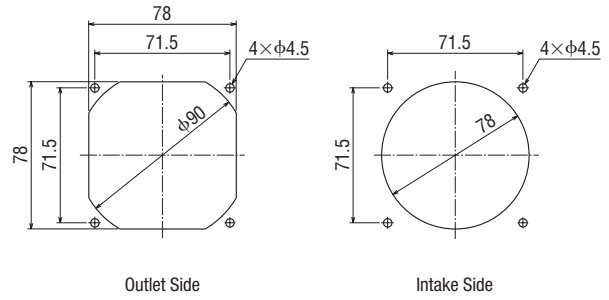
## Dimensions (Unit mm)

Mass: 0.25 kg

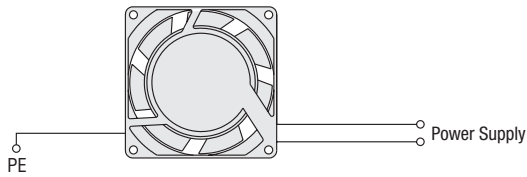
CAD E015



## Panel Cut-Out (Unit mm)



## Connection Diagram



## Accessories

Product	Product Name	Reference Page
Finger Guard	<b>FG8D</b>	G-146
Filter	<b>FL8</b>	G-149
Screen	<b>FS8S</b>	G-153

## Thermostat

It automatically performs ON and OFF fan control in accordance with the temperature fluctuation inside the equipment. It helps improve the equipment's "environmental" performance relative to energy savings, noise reduction, etc.



RoHS

Thermostat **AM1-XA1**

● Reference page → Page G-141

Overview,  
Product  
Series

Axial Flow  
Fans

AC Input  
**MU**

AC Input  
**MRS**

AC Input  
Long-Life  
**MRE**

DC Input  
**MDS**  
**MD**

DC Input  
Low-Speed  
Alarm  
**MDA**

DC Input  
Long-Life  
**MDE**

Centrifugal  
Blowers

AC Input  
**MB**  
DC Input  
**MBD**

Cross Flow  
Fans

AC Input  
**MF**  
DC Input  
**MFD**

Cooling  
Modules

Thermostat

Accessories

Installation

**MU Series**

80 mm  **92 mm** – 25 mm Thick

92 mm

104 mm

119 mm

140 mm

160 mm

180 mm

200 mm

250 mm



Operating Voltage Range: ±10% (Applies to each voltage)

**Materials**

- Frame: Die cast aluminum
- Blades: Polycarbonate (Flammability classification V-0)
- Overheat Protection: Impedance protected
- Bearings: Ball bearings

**Specifications (RoHS)**



Speed Type	Product Name	Voltage VAC	Frequency Hz	Current A	Input W	Speed r/min	Maximum Air Flow m <sup>3</sup> /min	Maximum Static Pressure Pa	Noise Level dB (A)
Standard Speed	<b>MU925S-21</b>	Single-Phase 115	50	0.11	9.5	2600	0.95	44	35
			60	0.10	8.0	3000	1.10	59	39
	<b>MU925S-51</b>	Single-Phase 220 Single-Phase 230 Single-Phase 230	50	0.06	8.5	2600	0.95	44	35
			50	0.07	10.5	2600	0.95	44	35
			60	0.06	8.0	3000	1.10	59	39
			60	0.06	8.0	3000	1.10	59	39
Middle Speed	<b>MU925M-21</b>	Single-Phase 115	50	0.11	9.0	2300	0.85	34	31
			60	0.10	8.0	2700	1.00	44	36
	<b>MU925M-51</b>	Single-Phase 220 Single-Phase 230 Single-Phase 230	50	0.06	8.5	2300	0.85	34	31
			50	0.06	9.5	2300	0.85	34	32
			60	0.06	8.0	2700	1.00	44	36
			60	0.06	8.0	2700	1.00	44	36

● Safety standards → Page I-2

● In addition to the above products, single-phase 100 VAC and 200 VAC products are also available. Please contact your nearest Oriental Motor sales office.

**Product Line**

**Fans**

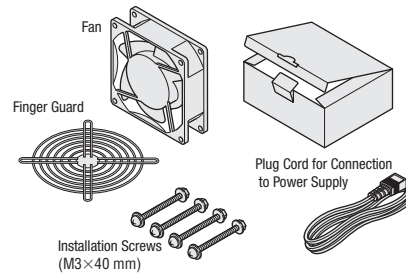
Product Name
<b>MU925S-21</b>
<b>MU925S-51</b>
<b>MU925M-21</b>
<b>MU925M-51</b>

The following items are included in each product.  
Fan, Operating Manual

**Fan Kit Products**

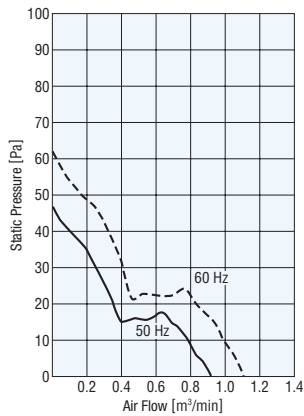
Product Name
<b>T-MU925S-21-GP</b>
<b>T-MU925S-51-GP</b>
<b>T-MU925M-21-GP</b>
<b>T-MU925M-51-GP</b>

The following items are included in each kit.

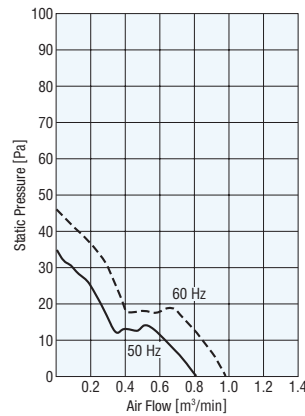


**Air Flow – Static Pressure Characteristics** (The characteristics are applicable for the fan only.)

**MU925S**



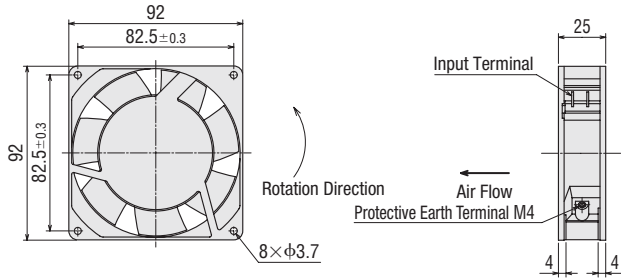
**MU925M**



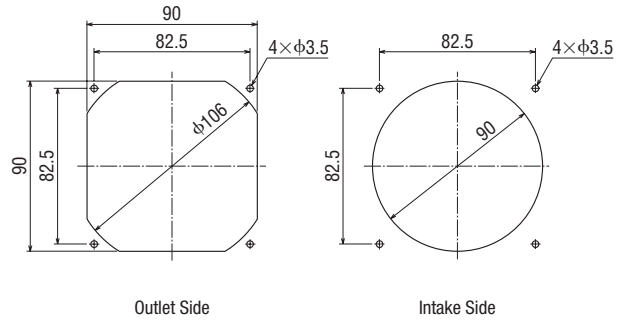
## Dimensions (Unit mm)

Mass: 0.27 kg

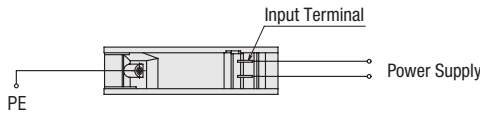
CAD E014



## Panel Cut-Out (Unit mm)



## Connection Diagram



## Accessories

Product	Product Name	Reference Page
Finger Guard	<b>FG9D</b>	G-146
Filter	<b>FL9</b>	G-149
Screen	<b>FS9S</b>	G-153
Plug Cord for Connection to Power Supply (1 m)	<b>PCA2B</b>	G-154
Plug Cord for Connection to Power Supply (2 m)	<b>PCA2B2</b>	

## Thermostat

It automatically performs ON and OFF fan control in accordance with the temperature fluctuation inside the equipment. It helps improve the equipment's "environmental" performance relative to energy savings, noise reduction, etc.



RoHS

Thermostat **AM1-XA1**

● Reference page → Page G-141

Overview,  
Product  
Series

Axial Flow  
Fans

AC Input  
**MU**

AC Input  
**MRS**

AC Input  
Long-Life  
**MRE**

DC Input  
**MDS**  
**MD**

DC Input  
Low-Speed  
Alarm  
**MDA**

DC Input  
Long-Life  
**MDE**

Centrifugal  
Blowers

AC Input  
**MB**  
DC Input  
**MBD**

Cross Flow  
Fans

AC Input  
**MF**  
DC Input  
**MFD**

Cooling  
Modules

Thermostat

Accessories

Installation

MU Series

80 mm  92 mm  104 mm  104 mm – 25 mm Thick



Operating Voltage Range: ±10% (Applies to each voltage)  
 Materials  
 Frame: Die cast aluminum  
 Blades: Polycarbonate (Flammability classification V-0)  
 Overheat Protection: Impedance protected  
 Bearings: Ball bearings

Specifications (RoHS)



Speed Type	Product Name	Voltage VAC	Frequency Hz	Current A	Input W	Speed r/min	Maximum Air Flow m <sup>3</sup> /min	Maximum Static Pressure Pa	Noise Level dB (A)
Standard Speed	<b>MU1025S-51</b>	Single-Phase 230	50	0.06	11.0	2500	1.2	39	35
			60	0.05	9.5	2900	1.4	44	39

- Safety standards → Page I-2
- In addition to the above products, single-phase 100 VAC and 200 VAC products are also available. Please contact your nearest Oriental Motor sales office.

Product Line

Fan

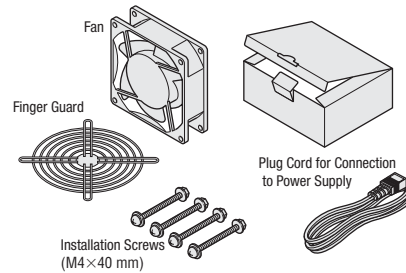
Product Name
<b>MU1025S-51</b>

The following items are included in each product.  
 Fan, Operating Manual

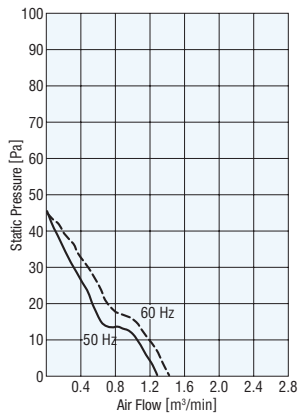
Fan Kit Product

Product Name
<b>T-MU1025S-51-GP</b>

The following items are included in each kit.



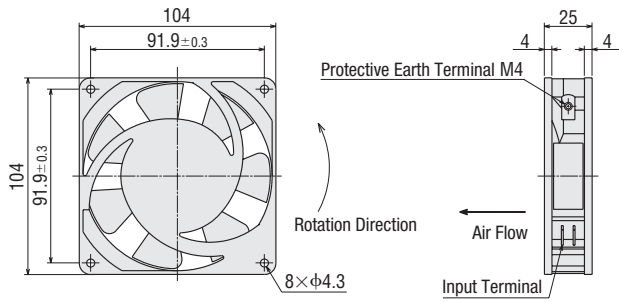
Air Flow – Static Pressure Characteristics (The characteristics are applicable for the fan only.)



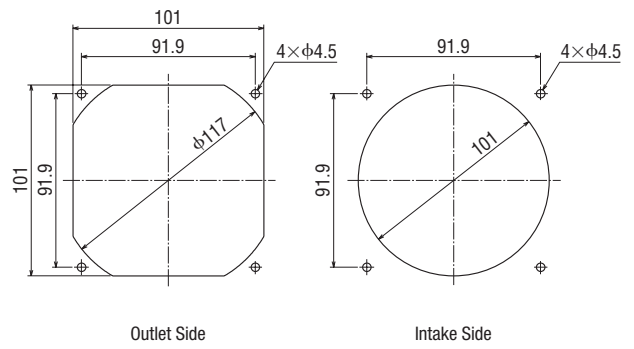
## Dimensions (Unit mm)

Mass: 0.30 kg

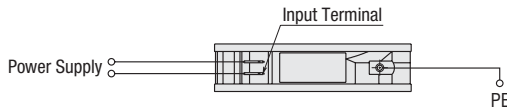
**CAD** E013



## Panel Cut-Out (Unit mm)



## Connection Diagram



## Accessories

Product	Product Name	Reference Page
Finger Guard	<b>FG10D</b>	G-146
Filter	<b>FL10</b>	G-149
Metallic Filter	<b>FLW10</b>	G-153
Plug Cord for Connection to Power Supply (1 m)	<b>PCA2B</b>	G-154
Plug Cord for Connection to Power Supply (2 m)	<b>PCA2B2</b>	

## Thermostat

It automatically performs ON and OFF fan control in accordance with the temperature fluctuation inside the equipment. It helps improve the equipment's "environmental" performance relative to energy savings, noise reduction, etc.



**RoHS**

Thermostat **AM1-XA1**

● Reference page → Page G-141

Overview,  
Product  
Series

Axial Flow  
Fans

AC Input  
**MU**

AC Input  
**MRS**

AC Input  
Long-Life  
**MRE**

DC Input  
**MDS**  
**MD**

DC Input  
Low-Speed  
Alarm  
**MDA**

DC Input  
Long-Life  
**MDE**

Centrifugal  
Blowers

AC Input  
**MB**  
DC Input  
**MBD**

Cross Flow  
Fans

AC Input  
**MF**  
DC Input  
**MFD**

Cooling  
Modules

Thermostat

Accessories

Installation

**MU Series**

□ 80 mm □ **119 mm** – 25 mm Thick

□ 92 mm

□ 104 mm

□ **119 mm**

□ 140 mm

□ 160 mm

□ 180 mm

□ 200 mm

□ 250 mm



Operating Voltage Range: ±10% (Applies to each voltage)

**Materials**

- Frame: Die cast aluminum
- Blades: Polycarbonate (Flammability classification V-0)
- Overheat Protection: Impedance protected
- Bearings: Ball bearings

**Specifications (RoHS)**



Speed Type	Product Name	Voltage VAC	Frequency Hz	Current A	Input W	Speed r/min	Maximum Air Flow m <sup>3</sup> /min	Maximum Static Pressure Pa	Noise Level dB (A)
Standard Speed	<b>MU1225S-21</b>	Single-Phase 115	50	0.14	11.0	2500	1.6	49	36
			60	0.12	9.5	2950	1.9	44	40
	<b>MU1225S-51</b>	Single-Phase 220 Single-Phase 230 Single-Phase 230	50	0.07	10.5	2500	1.6	49	36
			50	0.08	12.0	2500	1.6	49	36
			60	0.07	10.0	2950	1.9	44	40
			60	0.07	10.0	2950	1.9	44	40
Middle Speed	<b>MU1225M-21</b>	Single-Phase 115	50	0.13	10.5	2250	1.4	32	33
			60	0.11	9.0	2600	1.7	31	37
	<b>MU1225M-51</b>	Single-Phase 220 Single-Phase 230 Single-Phase 230	50	0.07	10.0	2250	1.4	32	33
			50	0.07	12.0	2250	1.4	32	33
			60	0.07	9.5	2600	1.7	31	37
			60	0.07	9.5	2600	1.7	31	37

● Safety standards → Page I-2

● In addition to the above products, single-phase 100 VAC and 200 VAC products are also available. Please contact your nearest Oriental Motor sales office.

**Product Line**

**Fans**

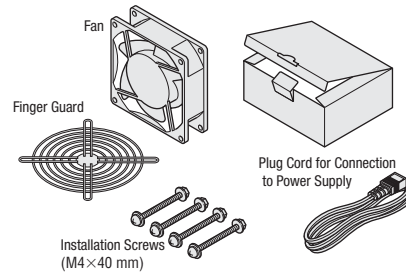
Product Name
<b>MU1225S-21</b>
<b>MU1225S-51</b>
<b>MU1225M-21</b>
<b>MU1225M-51</b>

**Fan Kit Products**

Product Name
<b>T-MU1225S-21-GP</b>
<b>T-MU1225S-51-GP</b>
<b>T-MU1225M-21-GP</b>
<b>T-MU1225M-51-GP</b>

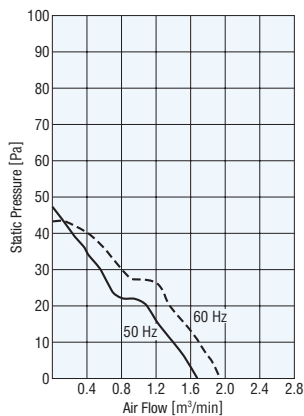
The following items are included in each product.  
Fan, Operating Manual

The following items are included in each kit.

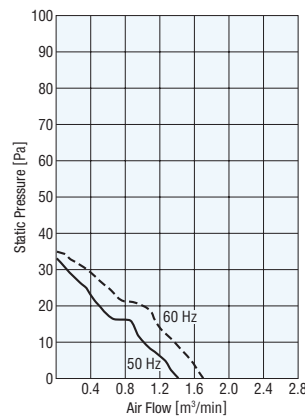


**Air Flow – Static Pressure Characteristics** (The characteristics are applicable for the fan only.)

**MU1225S**



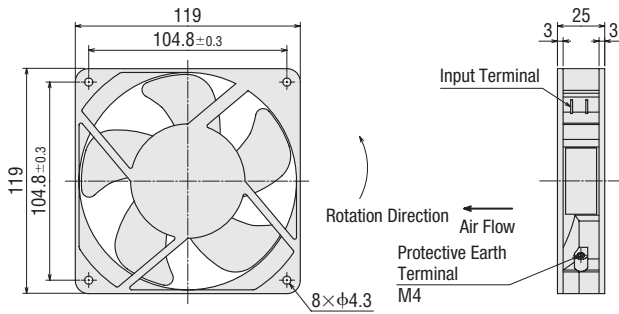
**MU1225M**



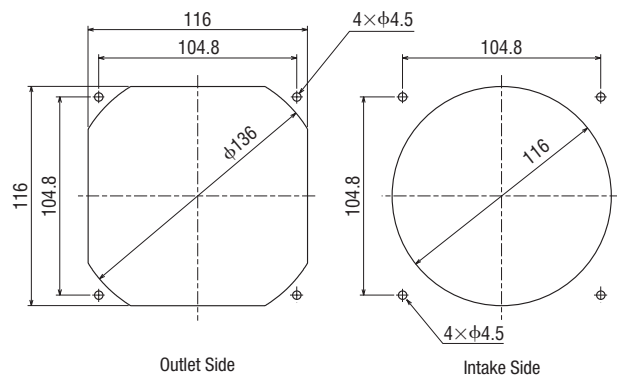
## Dimensions (Unit mm)

Mass: 0.31 kg

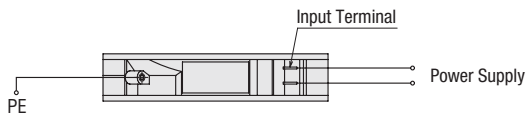
CAD E012



## Panel Cut-Out (Unit mm)



## Connection Diagram



## Accessories

Product	Product Name	Reference Page
Finger Guard	<b>FG12D</b>	G-146
Filter	<b>FL12</b>	G-149
Metallic Filter	<b>FLW12</b>	G-149
Screen	<b>FS12S</b>	G-153
Plug Cord for Connection to Power Supply (1 m)	<b>PCA2B</b>	G-154
Plug Cord for Connection to Power Supply (2 m)	<b>PCA2B2</b>	

## Thermostat

It automatically performs ON and OFF fan control in accordance with the temperature fluctuation inside the equipment. It helps improve the equipment's "environmental" performance relative to energy savings, noise reduction, etc.



RoHS

Thermostat **AM1-XA1**

● Reference page → Page G-141

Overview,  
Product  
Series

Axial Flow  
Fans

AC Input  
**MU**

AC Input  
**MRS**

AC Input  
Long-Life  
**MRE**

DC Input  
**MDS**  
**MD**

DC Input  
Low-Speed  
Alarm  
**MDA**

DC Input  
Long-Life  
**MDE**

Centrifugal  
Blowers

AC Input  
**MB**  
DC Input  
**MBD**

Cross Flow  
Fans

AC Input  
**MF**  
DC Input  
**MFD**

Cooling  
Modules

Thermostat

Accessories

Installation



## MU Series

80 mm

**119 mm – 38 mm Thick**

92 mm

104 mm

119 mm

140 mm

160 mm

180 mm

200 mm

250 mm



Operating Voltage Range:  $\pm 10\%$  (Applies to each voltage)

Materials

Frame: Die cast aluminum

Blades: Polycarbonate (Flammability classification V-0)

Overheat Protection: Impedance protected

Bearings: Ball bearings

## Specifications (RoHS)



Speed Type	Product Name	Voltage VAC	Frequency Hz	Current A	Input W	Speed r/min	Maximum Air Flow m <sup>3</sup> /min	Maximum Static Pressure Pa	Noise Level dB (A)
Standard Speed	<b>MU1238A-21B</b>	Single-Phase 115	50	0.20	14.0	2800	2.7	81	43
			60	0.18	13.0	3250	3.0	81	46
	<b>MU1238A-51B</b>	Single-Phase 220 Single-Phase 230	50	0.10	13.5	2800	2.7	81	43
			60	0.11	16.0	2800	2.7	81	43
Middle Speed	<b>MU1238B-21B</b>	Single-Phase 115	50	0.16	12.5	2500	2.2	52	38
			60	0.15	11.5	2800	2.5	52	40
	<b>MU1238B-51B</b>	Single-Phase 220 Single-Phase 230	50	0.09	11.5	2500	2.2	52	38
			60	0.09	14.0	2500	2.3	59	39
	<b>MU1238B-51B</b>	Single-Phase 230	50	0.09	11.5	2800	2.5	52	40
			60	0.09	11.5	2800	2.5	52	40
Low Speed	<b>MU1238L-21B</b>	Single-Phase 115	50	0.10	8.0	2100	1.9	34	33
			60	0.09	7.5	2100	1.8	27	32
	<b>MU1238L-51B</b>	Single-Phase 220 Single-Phase 230	50	0.06	7.5	2100	1.85	34	33
			60	0.06	9.5	2100	1.9	34	34
	<b>MU1238L-51B</b>	Single-Phase 230	50	0.06	7.5	2200	1.9	29	33
			60	0.06	7.5	2200	1.9	29	33

● Safety standards → Page I-2

● In addition to the above products, single-phase 100 VAC and 200 VAC products are also available. Please contact your nearest Oriental Motor sales office.

## Product Line

### Fans

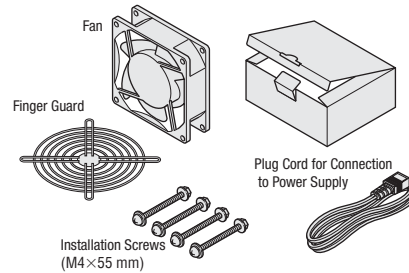
Product Name
<b>MU1238A-21B</b>
<b>MU1238A-51B</b>
<b>MU1238B-21B</b>
<b>MU1238B-51B</b>
<b>MU1238L-21B</b>
<b>MU1238L-51B</b>

The following items are included in each product.  
Fan, Operating Manual

### Fan Kit Products

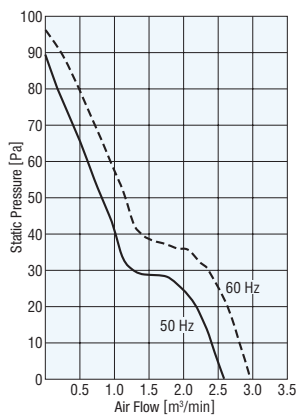
Product Name
<b>T-MU1238A-21-GP</b>
<b>T-MU1238A-51-GP</b>
<b>T-MU1238B-21-GP</b>
<b>T-MU1238B-51-GP</b>
<b>T-MU1238L-21-GP</b>
<b>T-MU1238L-51-GP</b>

The following items are included in each kit.

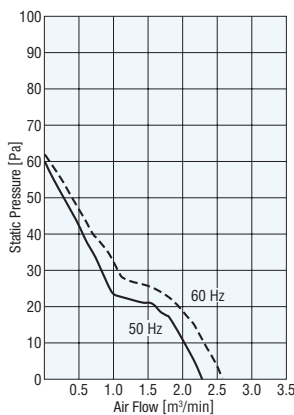


## Air Flow – Static Pressure Characteristics (The characteristics are applicable for the fan only.)

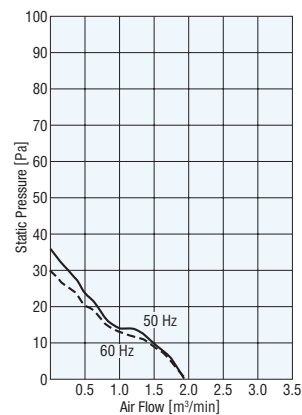
### MU1238A



### MU1238B



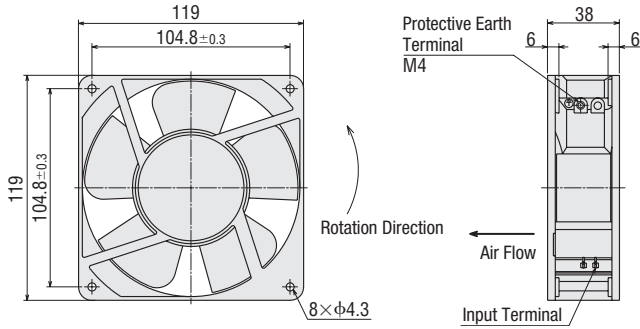
### MU1238L



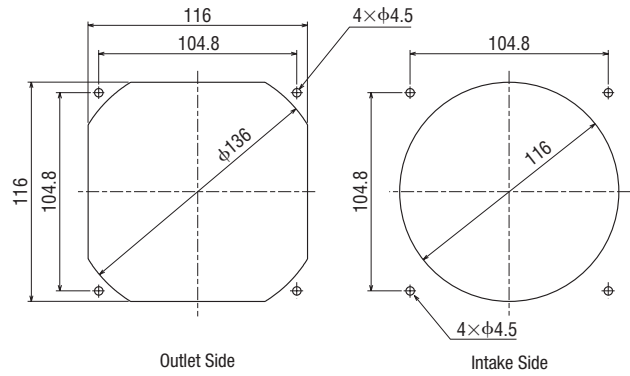
## Dimensions (Unit mm)

Mass: 0.53 kg

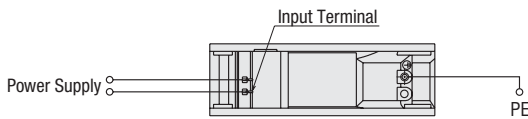
CAD E010



## Panel Cut-Out (Unit mm)



## Connection Diagram



## Accessories

Product	Product Name	Reference Page
Finger Guard	<b>FG12D</b>	G-146
Filter	<b>FL12</b>	G-149
Metallic Filter	<b>FLW12</b>	G-149
Screen	<b>FS12S</b>	G-153
Plug Cord for Connection to Power Supply (1 m)	<b>PCA2B</b>	G-154
Plug Cord for Connection to Power Supply (2 m)	<b>PCA2B2</b>	

## Thermostat

It automatically performs ON and OFF fan control in accordance with the temperature fluctuation inside the equipment. It helps improve the equipment's "environmental" performance relative to energy savings, noise reduction, etc.



RoHS

Thermostat **AM1-XA1**

● Reference page → Page G-141

Overview,  
Product  
Series

Axial Flow  
Fans

AC Input  
**MU**

AC Input  
**MRS**

AC Input  
Long-Life  
**MRE**

DC Input  
**MDS**  
**MD**

DC Input  
Low-Speed  
Alarm  
**MDA**

DC Input  
Long-Life  
**MDE**

Centrifugal  
Blowers

AC Input  
**MB**  
DC Input  
**MBD**

Cross Flow  
Fans

AC Input  
**MF**  
DC Input  
**MFD**

Cooling  
Modules

Thermostat

Accessories

Installation

MU Series

80 mm

140 mm – 28 mm Thick

92 mm

104 mm

119 mm

140 mm

160 mm

180 mm

200 mm

250 mm



Operating Voltage Range: ±10% (Applies to each voltage)

Materials

Frame: Die cast aluminum

Blades: Polycarbonate (Flammability classification V-0)

Overheat Protection: Impedance protected

Bearings: Ball bearings

Specifications (RoHS)



Speed Type	Product Name	Voltage VAC	Frequency Hz	Current A	Input W	Speed r/min	Maximum Air Flow m <sup>3</sup> /min	Maximum Static Pressure Pa	Noise Level dB (A)
Standard Speed	<b>MU1428S-51</b>	Single-Phase 220	50	0.07	12.0	2400	2.4	43	44
		Single-Phase 230	50	0.08	13.5	2500	2.5	45	45
		Single-Phase 230	60	0.07	12.0	2700	2.7	34	46

● Safety standards → Page I-2

● In addition to the above products, single-phase 100 VAC and 200 VAC products are also available. Please contact your nearest Oriental Motor sales office.

Product Line

Fan

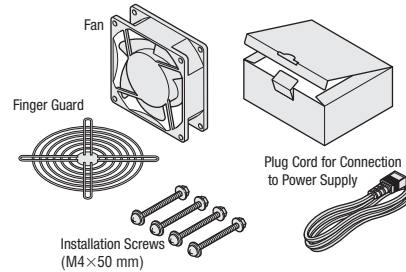
Product Name
<b>MU1428S-51</b>

The following items are included in each product.  
Fan, Operating Manual

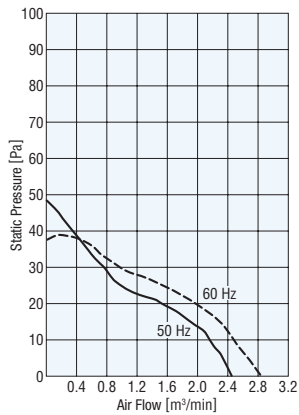
Fan Kit Product

Product Name
<b>T-MU1428S-51-GP</b>

The following items are included in each kit.



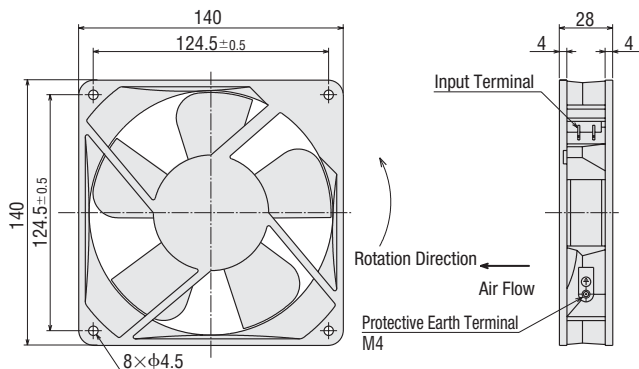
Air Flow – Static Pressure Characteristics (The characteristics are applicable for the fan only.)



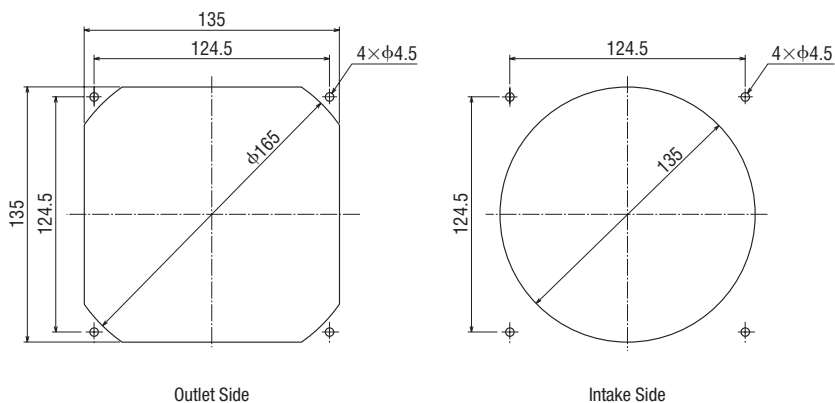
## Dimensions (Unit mm)

Mass: 0.4 kg

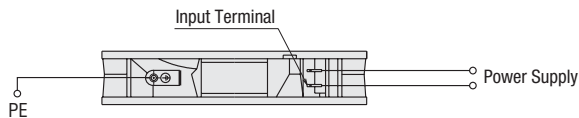
CAD E009



## Panel Cut-Out (Unit mm)



## Connection Diagram



## Accessories

Product	Product Name	Reference Page
Finger Guard	<b>FG14D</b>	G-146
Filter	<b>FL14</b>	G-149
Metallic Filter	<b>FLW14</b>	G-149
Plug Cord for Connection to Power Supply (1 m)	<b>PCA2B</b>	G-154
Plug Cord for Connection to Power Supply (2 m)	<b>PCA2B2</b>	

## Thermostat

It automatically performs ON and OFF fan control in accordance with the temperature fluctuation inside the equipment. It helps improve the equipment's "environmental" performance relative to energy savings, noise reduction, etc.



RoHS

Thermostat **AM1-XA1**

● Reference page → Page G-141

Axial Flow  
Fans

AC Input  
**MU**

AC Input  
**MRS**

AC Input  
Long-Life  
**MRE**

DC Input  
**MDS**  
**MD**

DC Input  
Low-Speed  
Alarm  
**MDA**

DC Input  
Long-Life  
**MDE**

Centrifugal  
Blowers

AC Input  
**MB**  
DC Input  
**MBD**

Cross Flow  
Fans

AC Input  
**MF**  
DC Input  
**MFD**

Cooling  
Modules

Thermostat

Accessories

Installation