

Speed Control Motor Component Package Speed Controller TE series

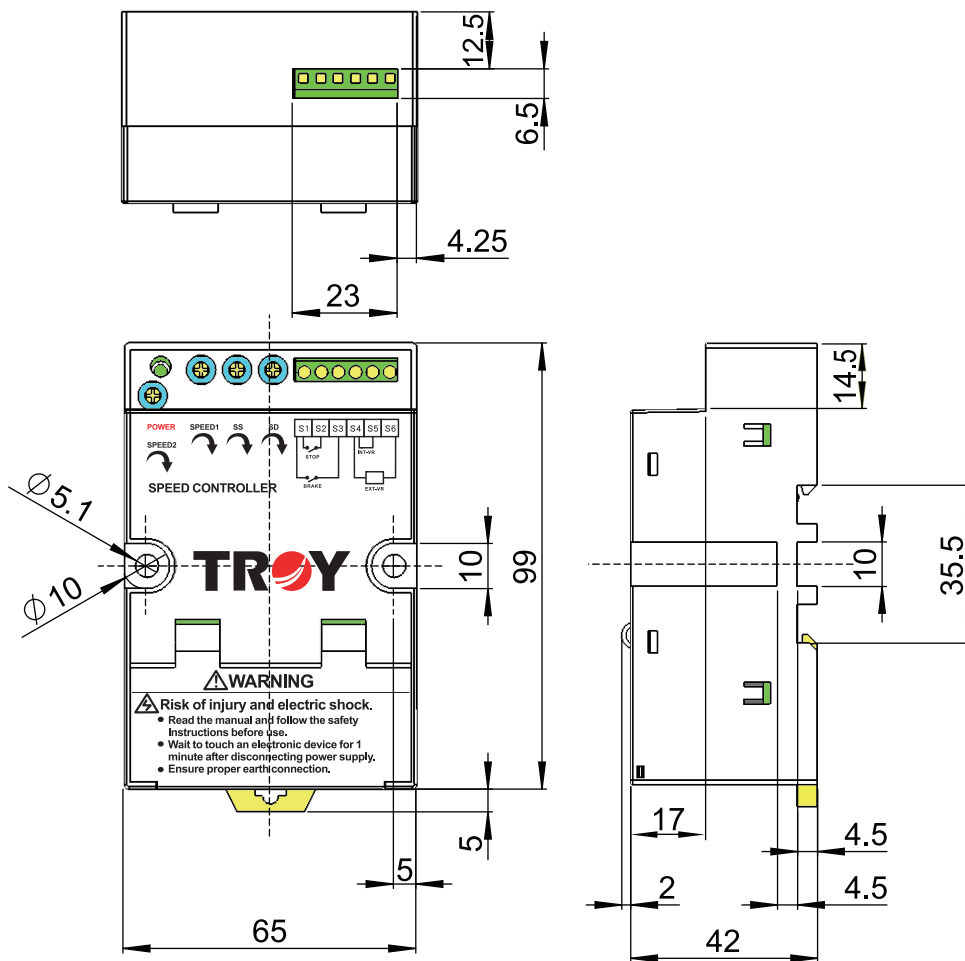


■ Specs

Model	TE31		TE32	
Specification certification	—		—	
Power input (V)	Single phase AC100~115		Single phase AC200~230	
Power frequency (Hz)	50	60	50	60
Current (A)	3			
Drive power	Max.135W			
Variable speed range(r/min)	90~1400	90~1700	90~1400	90~1700
Functions	<ul style="list-style-type: none"> • Speed Control : Two Kinds of speed control internally • Instantaneous brake stop : After 0.5 seconds Electric brake.No function for position holding • Slow start / Slow stop : during unload situation in 0~25 seconds, it will effect by inertia 			
Ambient temperature	0~+40°C			
Ambient humidity	Max.85%RH			
Dimensions (mm)	104(L) × 65(W) × 44(H)			
Weight (g)	160			

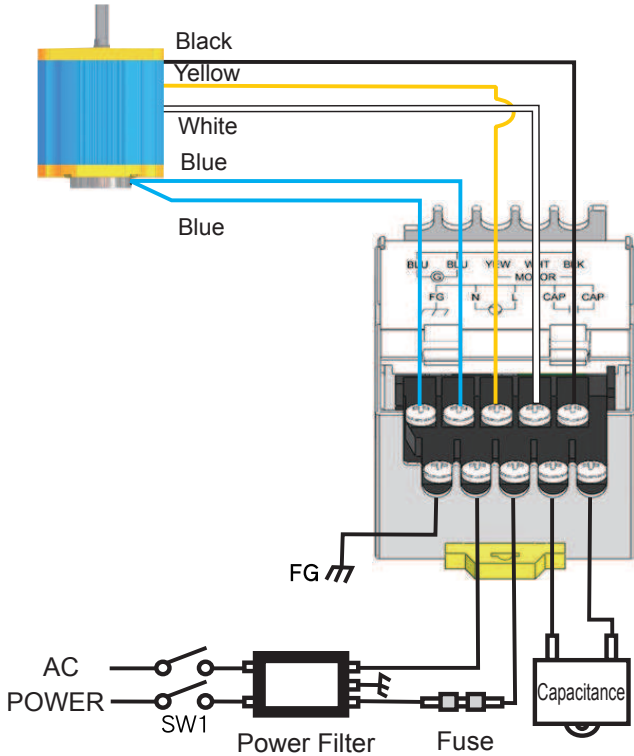
■ Dimensions

Unit : mm

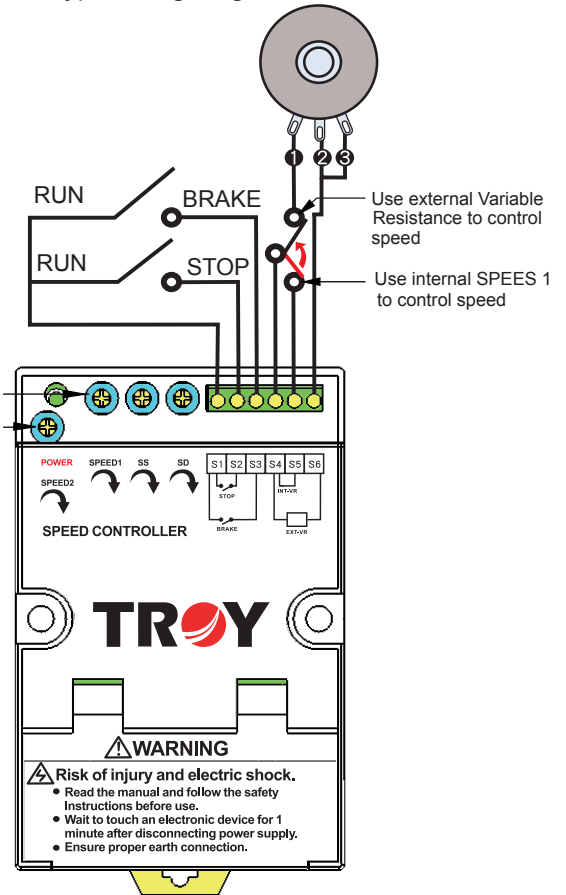


■ Wiring diagram

- ◆ Speed control Motor and Controller wiring diagram
- ◆ Speed control type wiring diagram



- SPEED 1 speed setting knob
- SPEED 2 speed setting knob



※ The left wiring diagram is for one direction rotation, if you need the wiring diagram for Clockwise/Counterclockwise, please kindly refer to the detailed user manual.

※ The right wiring diagram is for speed control by external Variable Resistance or internal SPEES 1, if you need more wiring diagrams for multiple speed control, please kindly refer to the detailed user manual.