

DC Cross Flow Fans
MFD Series

Impeller Length 150 mm



With Alarm

Operating Voltage Range: $\pm 10\%$ (Applies to each voltage)

Materials

Motor Case: Die cast aluminum

Casing: Steel

Impeller: Aluminum

Overheat Protection: Built-in overheat protection circuit

Bearings: Ball bearings

Specifications (RoHS)

Additional Function	Product Name	Voltage VDC	Current A	Speed r/min	Maximum Air Flow m ³ /min	Maximum Static Pressure Pa	Noise Level dB (A)
Blank	MFD915-24	24	1.0	2500	3.0	98	60
	MFD915B-24						
	MFD915-48	48	0.7	2500	3.0	98	60
	MFD915B-48						
Low-speed Alarm, Contact Alarm Type <Alarm Specifications: ⑨>	MFD915-24A	24	1.0	2500	3.0	98	60
	MFD915B-24A						

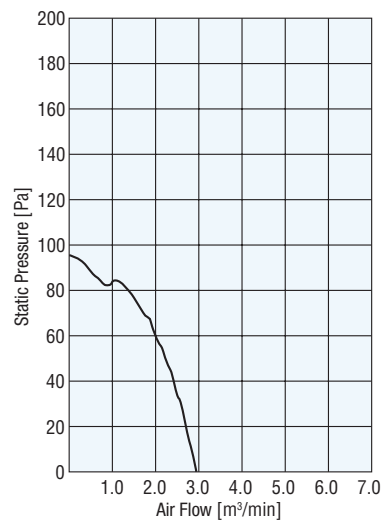
● Alarm specifications ⑨ → Page G-20

Product Line

Product Name	
MFD915-24	MFD915B-24
MFD915-48	MFD915B-48
MFD915-24A	MFD915B-24A

The following items are included in each product.
Fan, Operating Manual

Air Flow – Static Pressure Characteristics

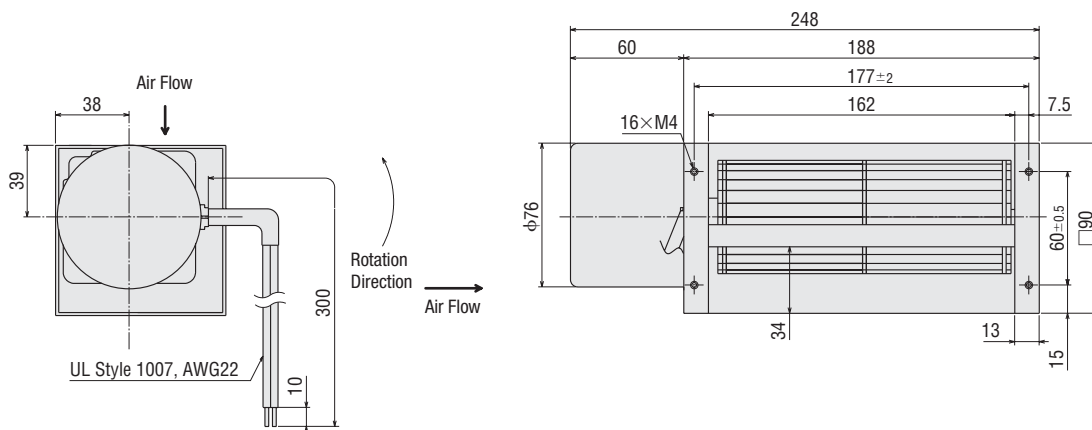


Dimensions (Unit mm)

MFD915

Mass: 1.4 kg

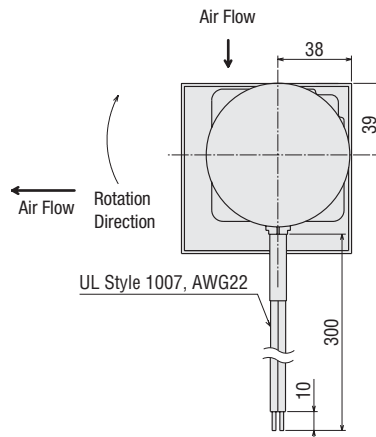
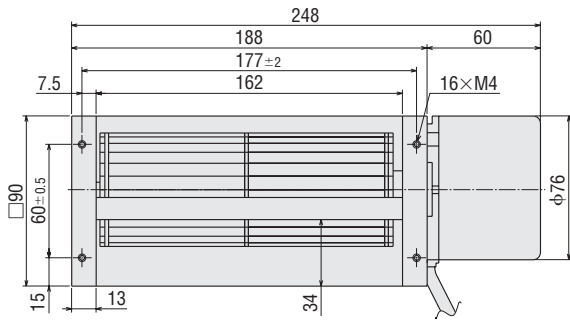
CAD E040



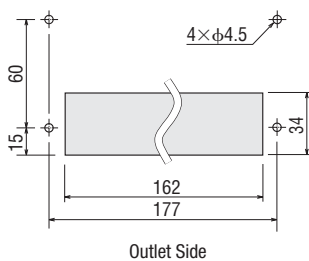
MFD915B

Mass: 1.4 kg

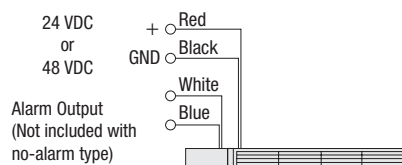
CAD E041



Panel Cut-Out (Unit mm)



Connection Diagram



Accessory

Product	Product Name	Reference Page
Finger Guard	FG915D	G-146

Overview,
Product
Series

Axial Flow
Fans

AC Input
MU

AC Input
MRS

AC Input
Long-Life
MRE

DC Input
MDS
MD

DC Input
Low-Speed
Alarm
MDA

DC Input
Long-Life
MDE

Centrifugal
Blowers

AC Input
MB
DC Input
MBD

Cross Flow
Fans

AC Input
MF
DC Input
MFD

Cooling
Modules

Thermostat

Accessories

Installation

Details of Pulse Sensor Type

For details of the **MFD** Series with pulse sensor type, check the Oriental Motor website or contact the Oriental Motor sales office.

Product Name
MFD915-48S
MFD915B-48S

DC Cross Flow Fans
MFD Series

Impeller Length 300 mm



With Alarm

Operating Voltage Range: $\pm 10\%$ (Applies to each voltage)

Materials

Motor Case: Die cast aluminum

Casing: Steel

Impeller: Aluminum

Overheat Protection: Built-in overheat protection circuit

Bearings: Ball bearings

Specifications (RoHS)

Additional Function	Product Name	Voltage VDC	Current A	Speed r/min	Maximum Air Flow m ³ /min	Maximum Static Pressure Pa	Noise Level dB (A)
Blank	MFD930-24	24	1.0	2100	5.2	83	60
	MFD930B-24						
	MFD930-48	48	0.7	2100	5.2	83	60
	MFD930B-48						
Low-speed Alarm, Contact Alarm Type <Alarm Specifications: ②>	MFD930-24A	24	1.0	2100	5.2	83	60
	MFD930B-24A						

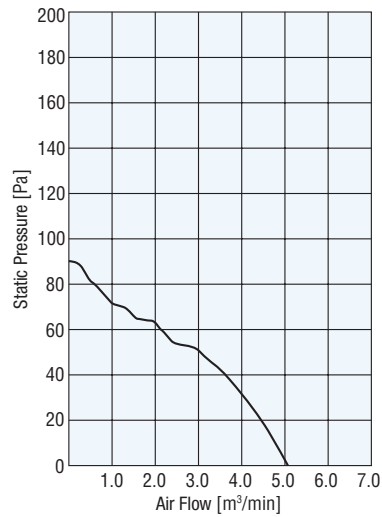
Alarm specifications ② → Page G-20

Product Line

Product Name	
MFD930-24	MFD930B-24
MFD930-48	MFD930B-48
MFD930-24A	MFD930B-24A

The following items are included in each product.
Fan, Operating Manual

Air Flow – Static Pressure Characteristics

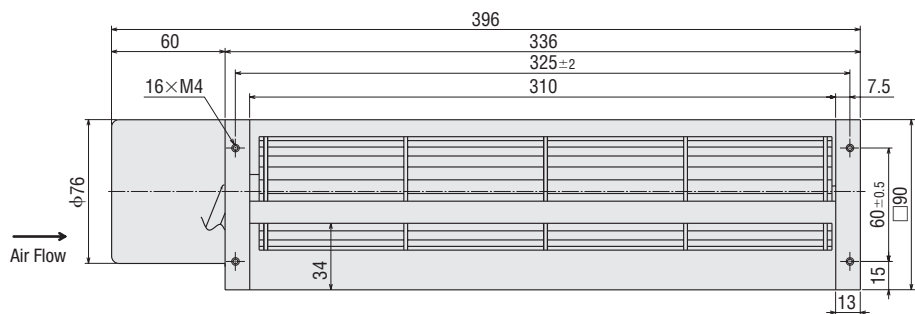
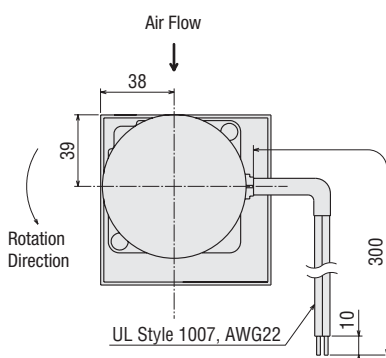


Dimensions (Unit mm)

MFD930

Mass: 1.6 kg

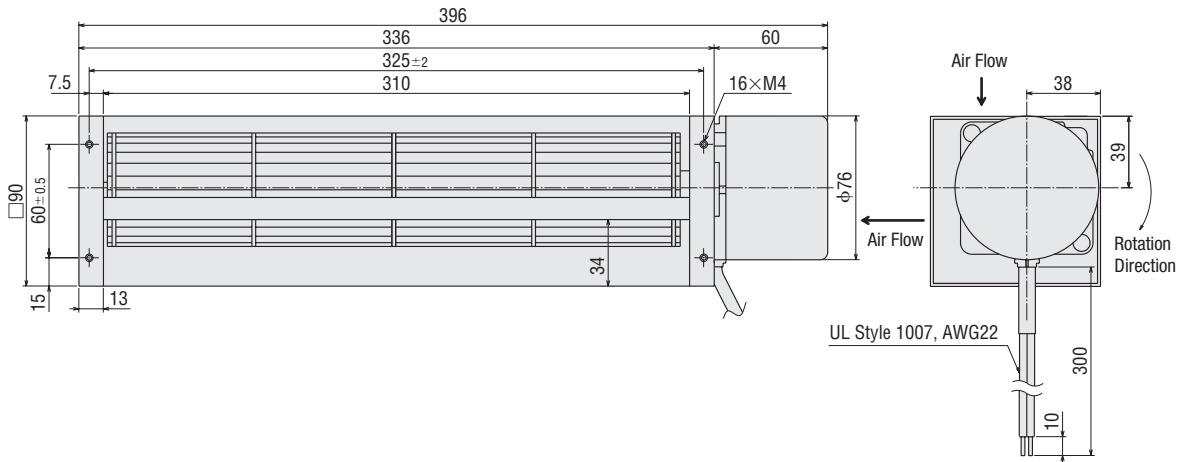
CAD E038



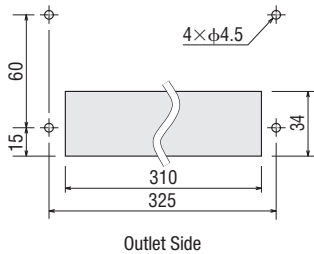
MFD930B

Mass: 1.6 kg

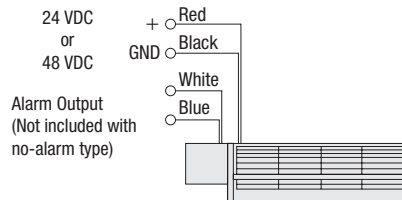
CAD E039



Panel Cut-Out (Unit mm)



Connection Diagram



Accessory

Product	Product Name	Reference Page
Finger Guard	FG930D	G-146

Overview,
Product
Series

Axial Flow
Fans

AC Input
MU

AC Input
MRS

AC Input
Long-Life
MRE

DC Input
MDS
MD

DC Input
Low-Speed
Alarm
MDA

DC Input
Long-Life
MDE

Centrifugal
Blowers

AC Input
MB
DC Input
MBD

Cross Flow
Fans

AC Input
MF
DC Input
MFD

Cooling
Modules

Thermostat

Accessories

Installation

Details of Pulse Sensor Type

For details of the **MFD** Series with pulse sensor type, check the Oriental Motor website or contact the Oriental Motor sales office.

Product Name
MFD930-48S
MFD930B-48S

