

DC Centrifugal Blowers
MBD Series

Impeller Diameter ϕ 80 mm

ϕ 80 mm

ϕ 100 mm

ϕ 120 mm



With Alarm

Operating Voltage Range: \pm 10%

Materials

Motor Case: Die cast aluminum

Casing: Die cast aluminum

Impeller: Aluminum

Overheat Protection: Built-in overheat protection circuit

Bearings: Ball bearings

Specifications RoHS

Additional Function	Product Name	Voltage VDC	Current A	Speed r/min	Maximum Air Flow m ³ /min	Maximum Static Pressure Pa	Noise Level dB (A)
Blank	MBD8-24	24	0.7	2600	1.45	196	51
	MBD8-48	48	0.5				
Low-speed Alarm, Contact Alarm Type <Alarm Specifications: ⑨>	MBD8-24A	24	0.7	2600	1.45	196	51

● Alarm specifications ⑨ → Page G-20

Product Line

● Centrifugal Blowers

Product Name
MBD8-24
MBD8-48
MBD8-24A

The following items are included in each product.
Centrifugal Blower, Operating Manual

● Fan Kit Products

◇ With Finger Guard

Product Name
T-MBD8-24-GA
T-MBD8-48-GA
T-MBD8-24A-GA

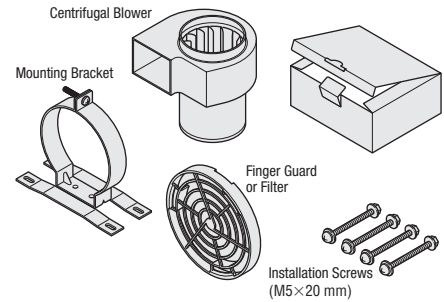
● With Finger Guard, Mounting Bracket, Installation Screws

◇ With Filter

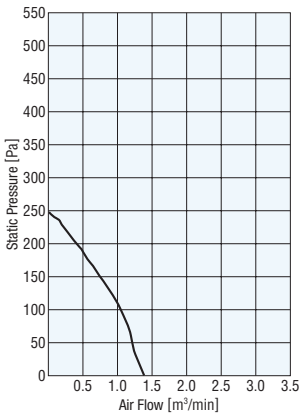
Product Name
T-MBD8-24-FA
T-MBD8-48-FA
T-MBD8-24A-FA

● With Filter, Mounting Bracket, Installation Screws

The following items are included in each kit.



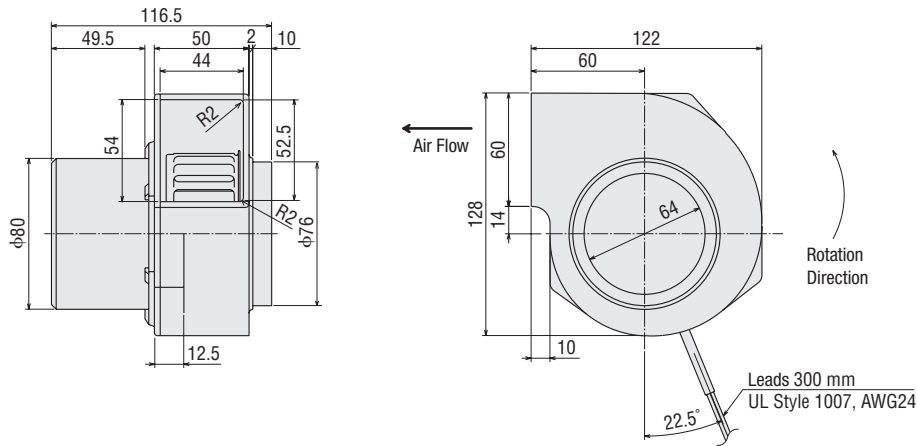
Air Flow – Static Pressure Characteristics



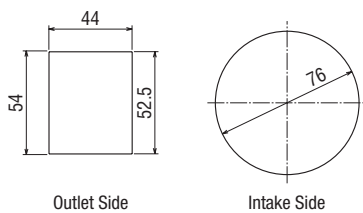
Dimensions (Unit mm)

Mass: 1.1 kg

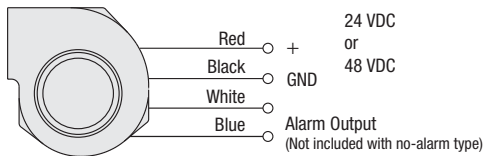
CAD E033



Panel Cut-Out (Unit mm)



Connection Diagram



Accessories

Product	Product Name	Reference Page
Finger Guard	FGB8	G-146
Filter	FLB8	G-149
Mounting Bracket	PAS4B	G-155

Overview,
Product
Series

Axial Flow
Fans

AC Input
MU

AC Input
MRS

AC Input
Long-Life
MRE

DC Input
MDS
MD

DC Input
Low-Speed
Alarm
MDA

DC Input
Long-Life
MDE

Centrifugal
Blowers

AC Input
MB
DC Input
MBD

Cross Flow
Fans

AC Input
MF
DC Input
MPD

Cooling
Modules

Thermostat

Accessories

Installation

Details of Pulse Sensor Type

For details of the **MBD** Series with pulse sensor types, check the Oriental Motor website or contact the Oriental Motor sales office.

Centrifugal Blowers

Product Name
MBD8-24S
MBD8-48S

Fan Kit Products

Product Line	Product Name
With Finger Guard	T-MBD8-24S-GA
	T-MBD8-48S-GA
With Filter	T-MBD8-24S-FA
	T-MBD8-48S-FA

DC Centrifugal Blowers
MBD Series

Impeller Diameter ϕ 100 mm



With Alarm

Operating Voltage Range: \pm 10%

Materials

Motor Case: Die cast aluminum

Casing: Die cast aluminum

Impeller: Aluminum

Overheat Protection: Built-in overheat protection circuit

Bearings: Ball bearings

ϕ 80 mm

ϕ 100 mm

ϕ 120 mm

Specifications RoHS

Additional Function	Product Name	Voltage VDC	Current A	Speed r/min	Maximum Air Flow m ³ /min	Maximum Static Pressure Pa	Noise Level dB (A)
Blank	MBD10-24	24	1.0	2400	1.95	294	56
	MBD10-48	48	0.7				
Low-speed Alarm, Contact Alarm Type <Alarm Specifications: ⑨>	MBD10-24A	24	1.0	2400	1.95	294	56

● Alarm specifications ⑨ → Page G-20

Product Line

Centrifugal Blowers

Product Name
MBD10-24
MBD10-48
MBD10-24A

The following items are included in each product.
Centrifugal Blower, Operating Manual

Fan Kit Products

◇ With Finger Guard

Product Name
T-MBD10-24-GA
T-MBD10-48-GA
T-MBD10-24A-GA

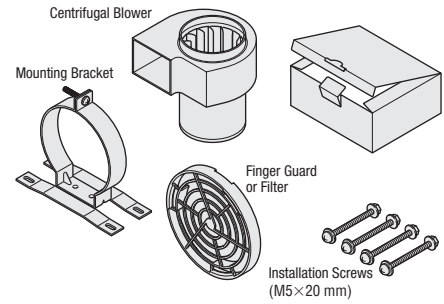
● With Finger Guard, Mounting Bracket, Installation Screws

◇ With Filter

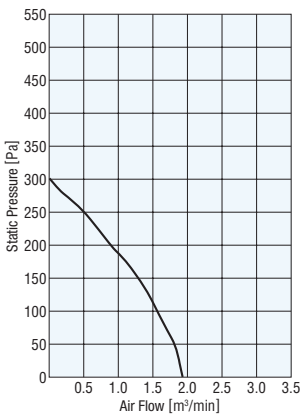
Product Name
T-MBD10-24-FA
T-MBD10-48-FA
T-MBD10-24A-FA

● With Filter, Mounting Bracket, Installation Screws

The following items are included in each kit.



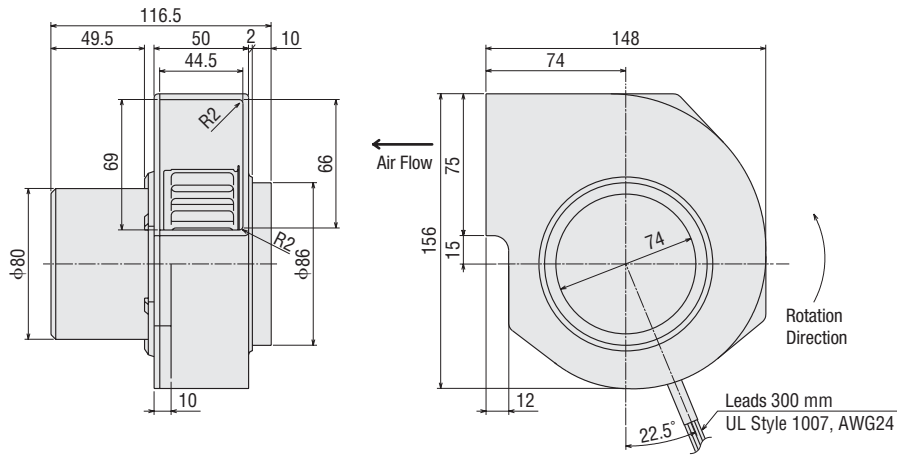
Air Flow – Static Pressure Characteristics



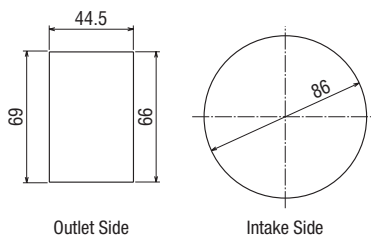
Dimensions (Unit mm)

Mass: 1.2 kg

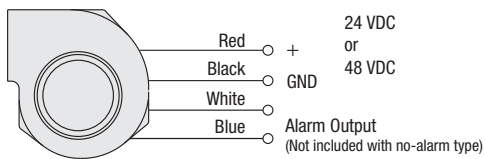
CAD E032



Panel Cut-Out (Unit mm)



Connection Diagram



Accessories

Product	Product Name	Reference Page
Finger Guard	FGB10	G-146
Filter	FLB10	G-149
Mounting Bracket	PAS4B	G-155

Overview,
Product
Series

Axial Flow
Fans

AC Input
MU

AC Input
MRS

AC Input
Long-Life
MRE

DC Input
MDS
MD

DC Input
Low-Speed
Alarm
MDA

DC Input
Long-Life
MDE

Centrifugal
Blowers

AC Input
MB
DC Input
MBD

Cross Flow
Fans

AC Input
MF
DC Input
MFD

Cooling
Modules

Thermostat

Accessories

Installation

Details of Pulse Sensor Type

For details of the **MBD** Series with pulse sensor types, check the Oriental Motor website or contact the Oriental Motor sales office.

Centrifugal Blowers

Product Name
MBD10-24S
MBD10-48S

Fan Kit Products

Product Line	Product Name
With Finger Guard	T-MBD10-24S-GA T-MBD10-48S-GA
With Filter	T-MBD10-24S-FA T-MBD10-48S-FA

DC Centrifugal Blowers
MBD Series

Impeller Diameter ϕ 120 mm



With Alarm

Operating Voltage Range: \pm 10%

Materials

Motor Case: Die cast aluminum

Casing: Die cast aluminum

Impeller: Aluminum

Overheat Protection: Built-in overheat protection circuit

Bearings: Ball bearings

ϕ 80 mm

ϕ 100 mm

ϕ 120 mm

Specifications (RoHS)

Additional Function	Product Name	Voltage VDC	Current A	Speed r/min	Maximum Air Flow m ³ /min	Maximum Static Pressure Pa	Noise Level dB (A)
Blank	MBD12-24	24	1.5	1900	3.0	372	58
Low-speed Alarm, Contact Alarm Type <Alarm Specifications: ⑨>	MBD12-24A	24	1.5	1900	3.0	372	58

● Alarm specifications ⑨ → Page G-20

Product Line

Centrifugal Blowers

Product Name

MBD12-24

MBD12-24A

The following items are included in each product.

Centrifugal Blower, Operating Manual

Fan Kit Products

◇ With Finger Guard

Product Name

T-MBD12-24-GA

T-MBD12-24A-GA

● With Finger Guard, Mounting Bracket, Installation Screws

◇ With Filter

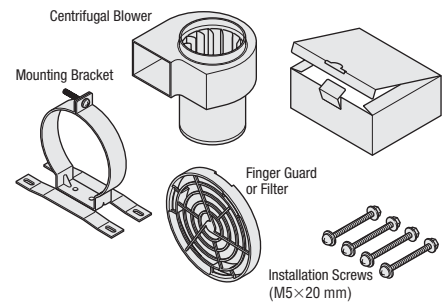
Product Name

T-MBD12-24-FA

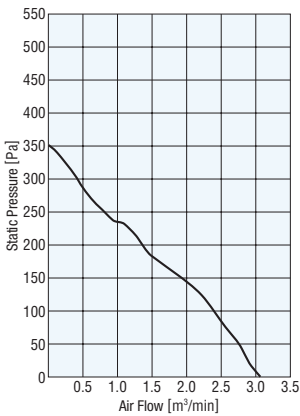
T-MBD12-24A-FA

● With Filter, Mounting Bracket, Installation Screws

The following items are included in each kit.



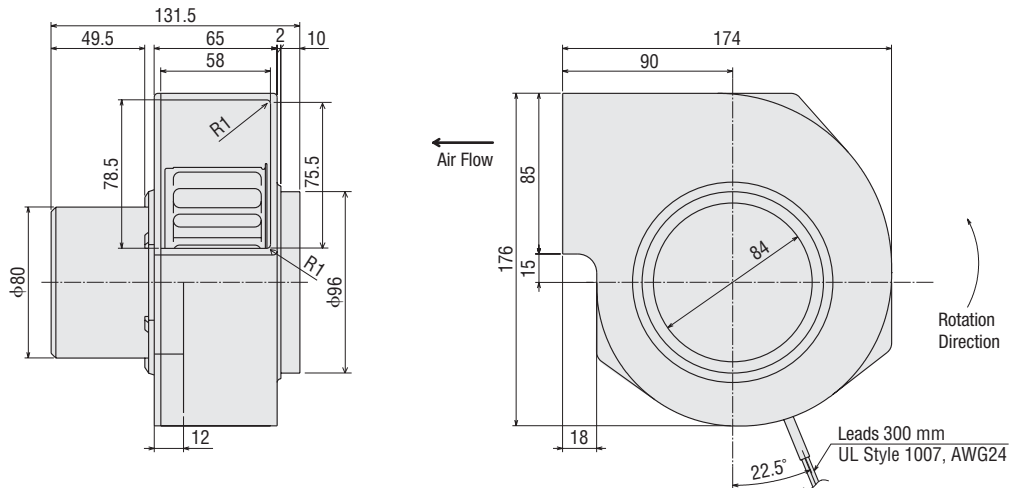
Air Flow – Static Pressure Characteristics



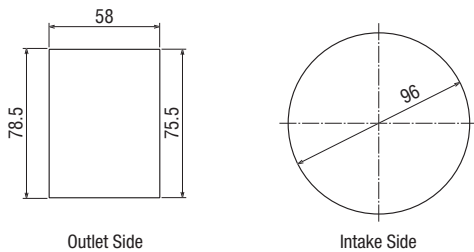
Dimensions (Unit mm)

Mass: 1.5 kg

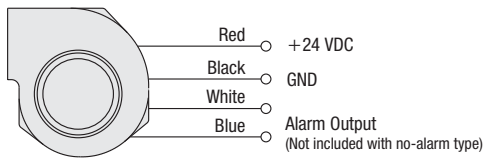
CAD E031



Panel Cut-Out (Unit mm)



Connection Diagram



Accessories

Product	Product Name	Reference Page
Finger Guard	FGB12	G-146
Filter	FLB12	G-149
Mounting Bracket	PAS4B	G-155

Overview,
Product
Series

Axial Flow
Fans

AC Input
MU

AC Input
MRS

AC Input
Long-Life
MRE

DC Input
MDS
MD

DC Input
Low-Speed
Alarm
MDA

DC Input
Long-Life
MDE

Centrifugal
Blowers

AC Input
MB
DC Input
MBD

Cross Flow
Fans

AC Input
MF
DC Input
MGD

Cooling
Modules

Thermostat

Accessories

Installation

