

DEXSTEEL

ROOFING & AWNING SOLUTIONS

Penyelesaian Bumbung & Awning

屋顶和遮阳篷解决方案



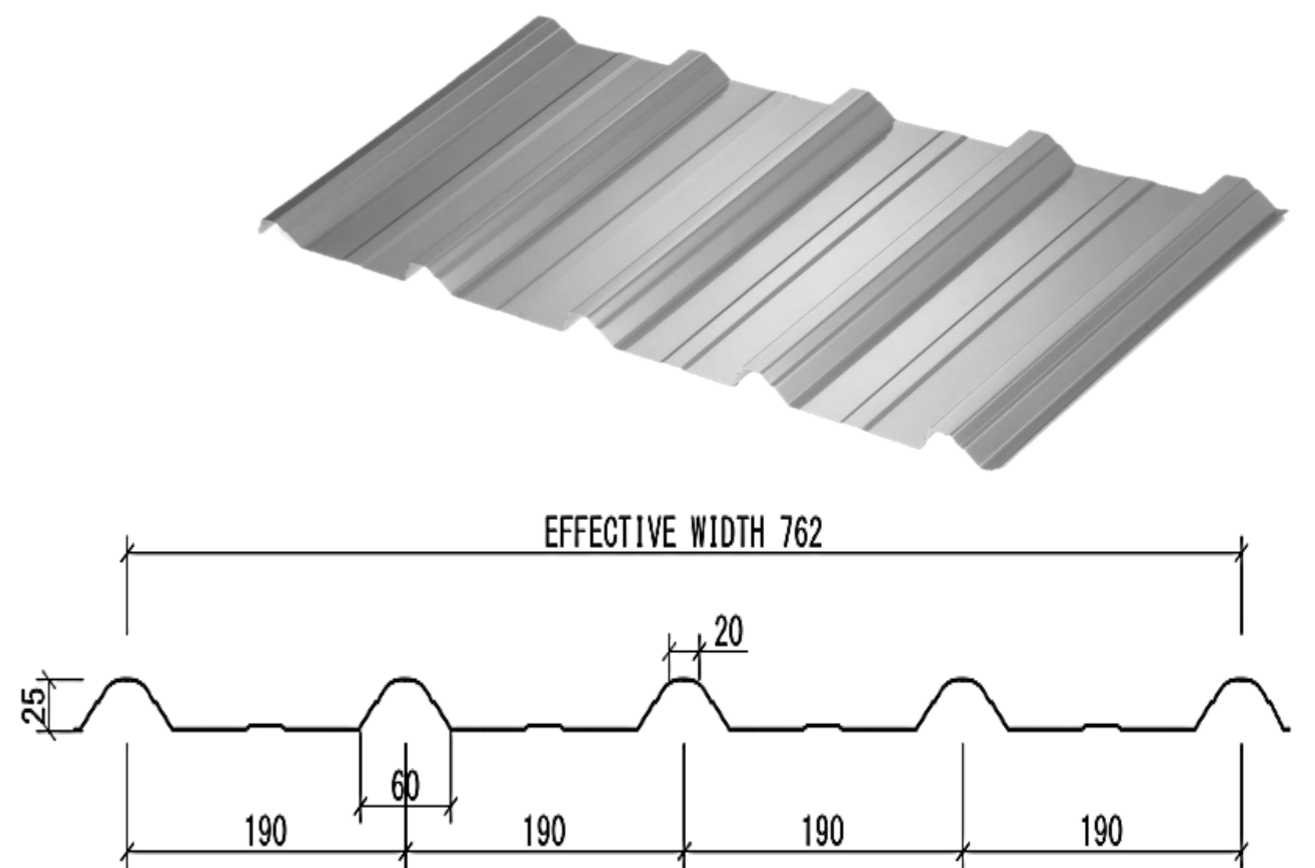
PRODUCT
CATALOGUE

“ EVERYONE DESERVES A GOOD ROOF ”

Deck 762

D-Roof Deck 762 is the most popular & well accepted profile used for roofing, walling & hoarding in the market. It is widely used for industrial & commercial, such as housing, warehouses, factories, schools & etc.

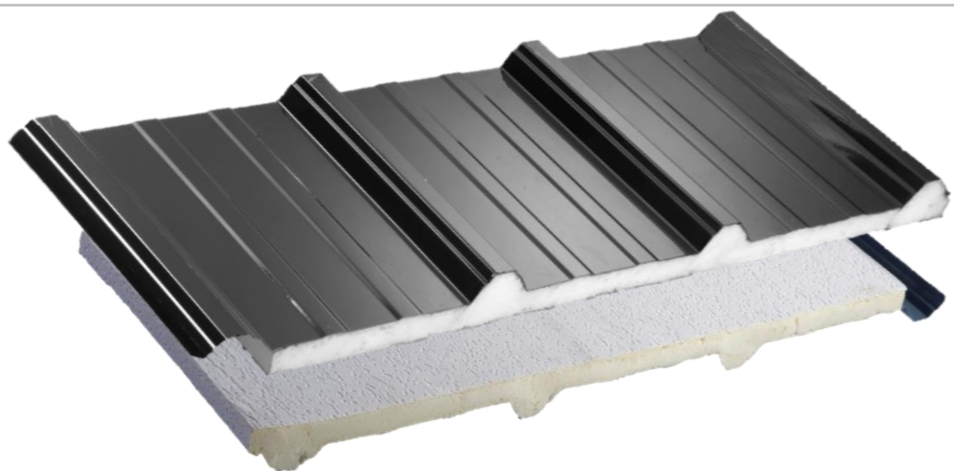
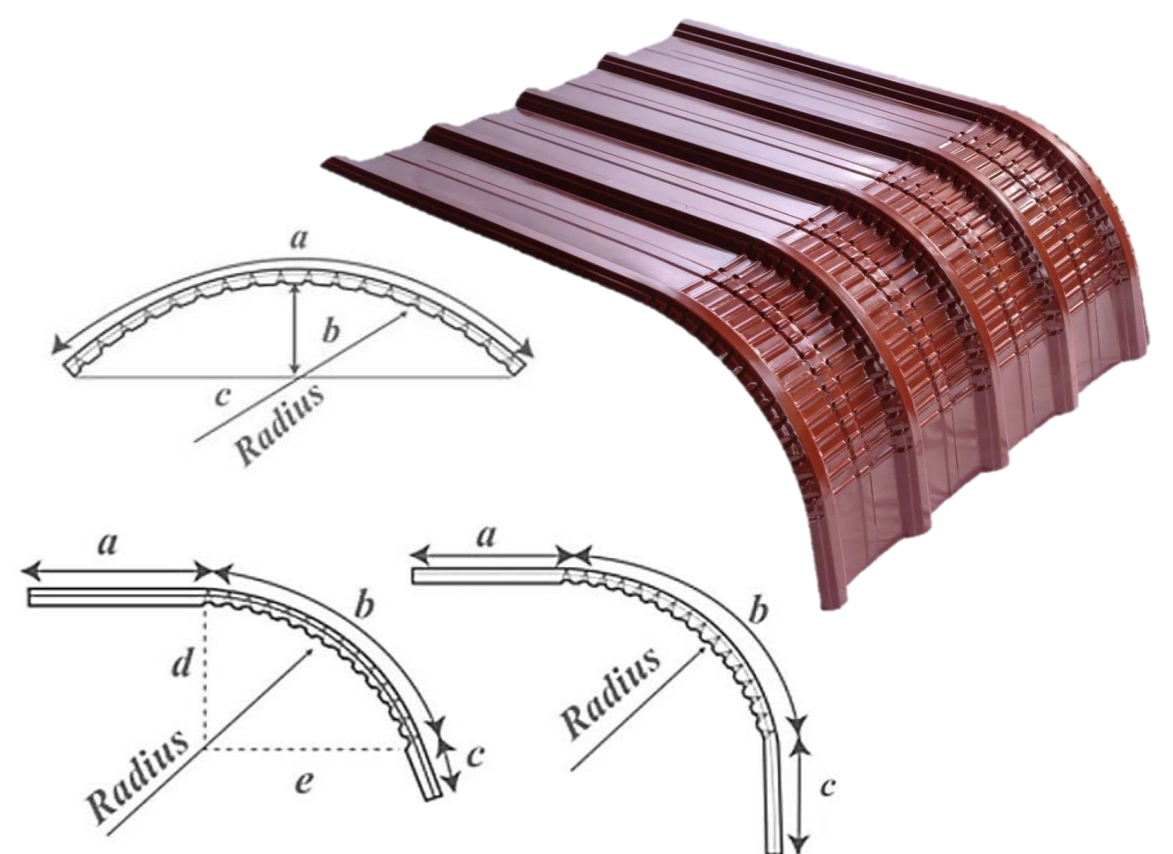
- Effective Width 762mm, Rib Height 25mm
- Recommended min. Roof Pitch of 5 degree for roof length less than 15meter without end lap
- Durable, cost effective & user-friendly



Crimp Curve 762

D-Roof Crimp Curve 762 enhance the aesthetic appearance of any roof with the curved shape. These crimp curved profiles provide unparalleled scope for the creative design of the building.

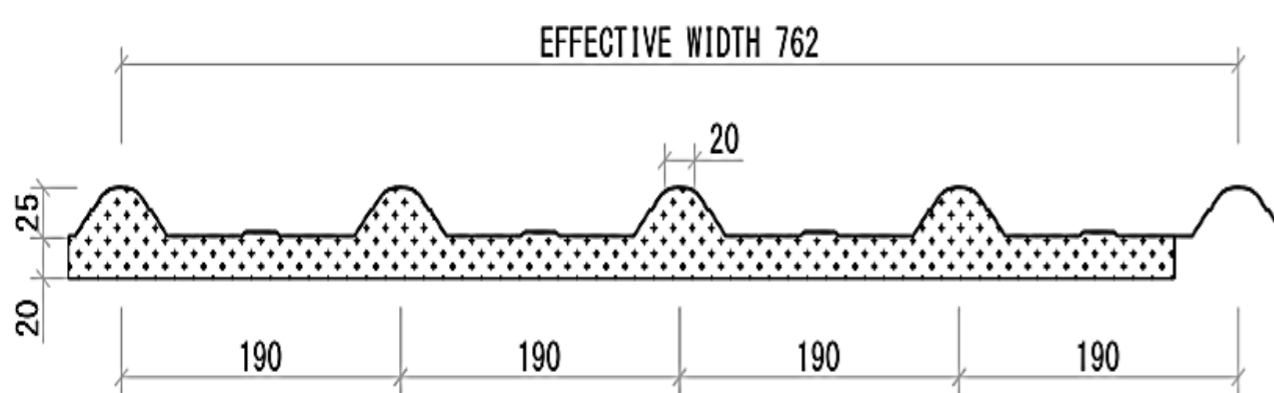
- Effective Width 762mm, Rib Height 25mm
- Recommended min. Roof Pitch of 5 degree for roof length less than 15meter without end lap
- Standard curve, half circle curve & customized curve



Deck 762 PU Foam / PU Aluminium

D-Roof Deck 762 PU Foam / PU Aluminium is a solid insulated sandwich roofing panel which combines of profile metal Deck 762, CFC-free rigid polyurethane (PU) foam & PVC lamination or Aluminium Foil.

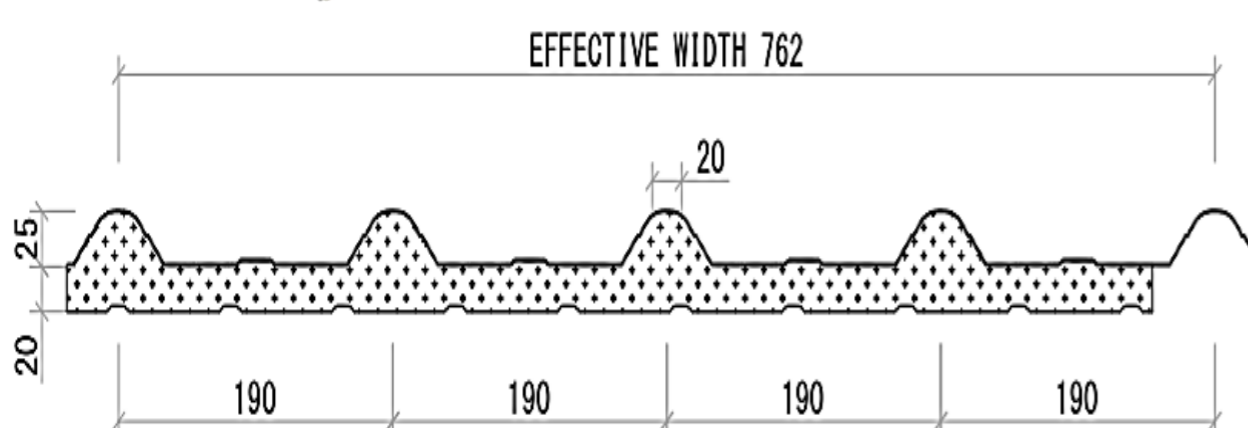
- Effective Width 762mm, Rib Height 25mm
- Recommended min. Roof Pitch of 5 degree for roof length less than 15meter without end lap
- Heat resistant, sound absorption & durable



Deck 762 PU Metal

D-Roof Deck 762 PU Metal is a solid insulated sandwich roofing panel which combines of profile metal Deck 762, CFC-free rigid polyurethane (PU) foam & flat profile metal.

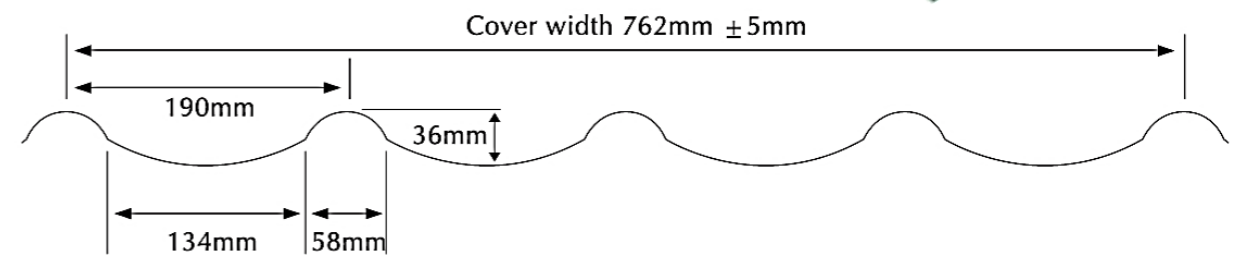
- Effective Width 762mm, Rib Height 25mm
- Recommended min. Roof Pitch of 5 degree for roof length less than 15meter without end lap
- Heat resistant, sound absorption, durable & nice bottom appearance finishing



Euro 762 / Urol Bond

D-Roof Euro 762 / Urol Bond is widely accepted metal tile roofing sheet in the market as a way to enhance the aesthetic appearance of any commercial or residential projects.

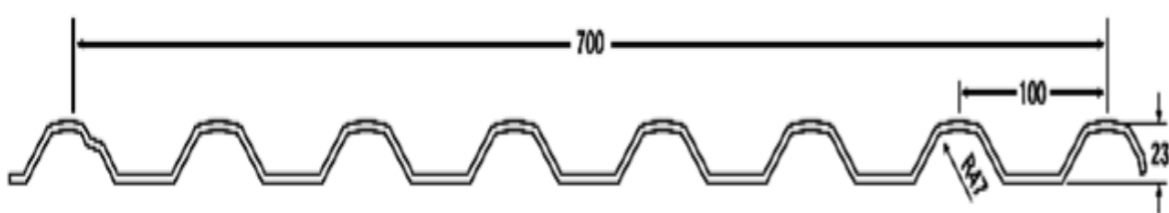
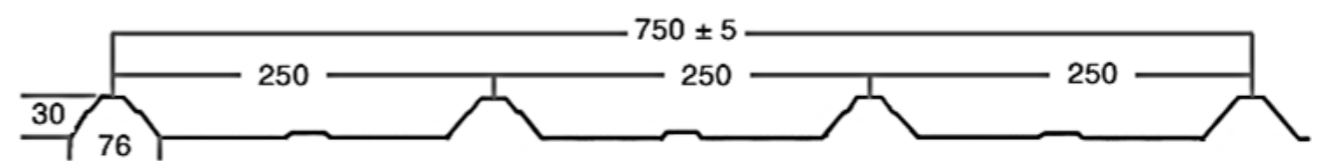
- Effective Width 762mm, Rib Height 36mm, Module Length 300mm
- Recommended min. Roof Pitch of 15 degree for roof length less than 12meter without end lap
- Unique terracotta embossment resembling classic roof tile, light weight & great against severe rainfall intensity



Hi-Rib 30

D-Roof Hi-Rib 30 is designed to ensure wide spanning capability & provides good water-discharge capacity. The high rib designed is good for low pitch roof.

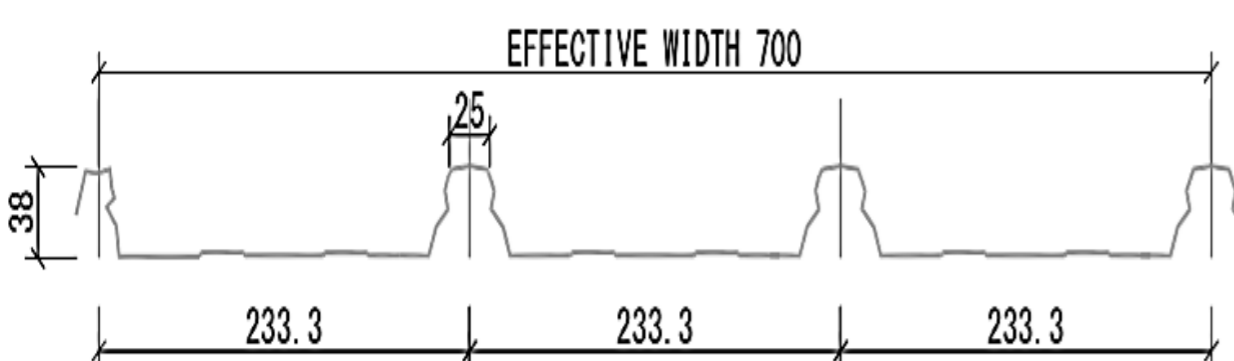
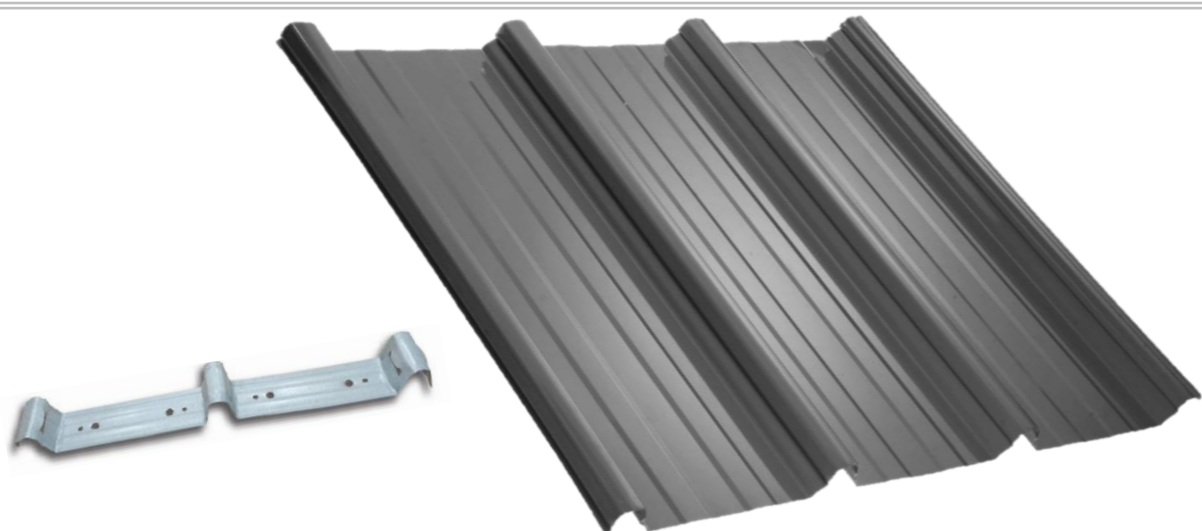
- Effective Width 750mm, Rib Height 30mm
- Recommended min. Roof Pitch of 3 degree for roof length less than 15meter without end lap
- Economical installation, good for low pitch roof & good water tightness



Span 700

D-Roof Span 700 is popular stylish profile used for roofing, walling & ceiling. The symmetrical trapezoidal rib profile which is ideal where a stronger, bolder & sharper corrugated appearance is required.

- Effective Width 700mm, Rib Height 23mm
- Recommended min. Roof Pitch of 5 degree for roof length less than 15meter without end lap
- Contemporary appearance, high strength & durable



Clip 700

D-Roof Clip 700 with latest technology of concealed clip & lock system. No exposed fasteners are used thereby eliminating leakage occurrences & provide years of worry free performance.

- Effective Width 700mm, Rib Height 38mm
- Recommended min. Roof Pitch of 2 degree without end lap
- Reliable performance for long length & low pitched roofs, clean & screwless surface minimizes leakage

“ BUILDING A BETTER ROOF START WITH ”



ROOFING & AWNING SOLUTIONS

Penyelesaian Bumbung & Awning

屋顶和遮阳篷解决方案

DEXSTEEL (M) SDN BHD (1492281-M)
Showroom/ Office:
No.5, Jalan PP 2/1, Taman Putra Prima,
47100 Puchong, Selangor Darul Ehsan, Malaysia.

enquiries@dexsteel.com.my
www.dexsteel.com.my
+603-8051 8880