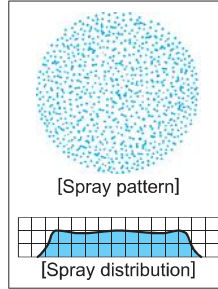


Wide-angle Full Cone Spray Nozzles

BBXP/BBXP-PVDF/BBXP-PVC



[Features]

- Wide-angle full cone spray pattern with a round impact area and uniform distribution.
- Spray angle of 120° provides larger spray coverage than other nozzles.
- Spray capacity ranges from small to medium.
- X-shaped whirler provides large free passage diameter for minimal clogging.

[Standard Pressure]

0.2 MPa for spray capacity codes of 015–060.
0.35 MPa for spray capacity codes of 10 and over.

[Applications]

Cleaning: Gas, incinerator fumes, machinery, eliminators, screen, tanks, parts, crushed stones, earth and sand
Cooling: Gas, machineries, tanks, steel plates
Spraying: Water treatment, aeration, foam breaking, fire extinguishing, dust suppression, sea water desalination

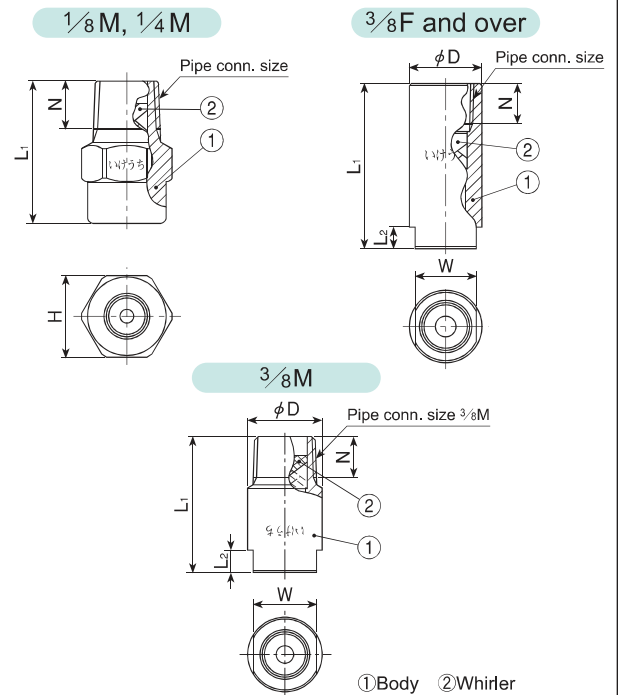
Full Cone

BBXP series

BBXP series	
Structure	● One-piece structure with press-fit X-shaped whirler.
Material	<ul style="list-style-type: none"> ● Sizes 1/8M–3/8M (3/4F): S303 ● Sizes 1/2F–1F: S303 or B (brass) ● Sizes 1 1/2F or larger: S316 ● Optional material: S316L or others

Pipe conn. size*1	Dimensions (mm)						Mass (g)		
	L ₁	L ₂	H	W	φD	N	S303 S316	B	
1/8M	21	—	12	—	—	7	11	—	
1/4M (015, 020)	21	—	14	—	—	10.5	20	—	
1/4M (030)	21.5	—	14	—	—	10.5	20	—	
1/4M (040–060)	29	—	14	—	—	10.5	21	—	
3/8M	36.5	6	—	17	20	11	55	—	
3/8F	45.5	6	—	17	20	11	75	—	
1/2F	56	8	—	22	25	14	140	150	
3/4F	73	10	—	27	32	15	300	320	
1F	94	14	—	34	40	17	585	625	
1 1/2F	131	20	—	50	58	19	1,760	—	
2F	168	24	—	60	70	23	2,980	—	
2 1/2F	199	27	—	80	90	27	5,890	—	
3F	220	30	—	90	105	30	9,400	—	
4F	278	40	—	115	130	36	16,100	—	

*1) Figures in () after the pipe connection sizes indicate the spray capacity codes.



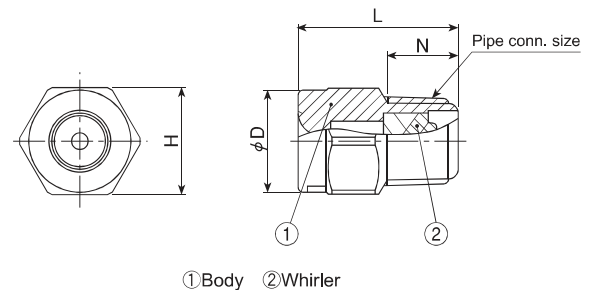
[Note] Appearance and dimensions may differ slightly depending on materials and nozzle codes.

BBXP-PVDF series

BBXP-PVDF series	
Structure	● One-piece structure with press-fit X-shaped whirler.
Material	● PVDF (polyvinylidene fluoride)

Pipe conn. size	Dimensions (mm)				Mass (g)
	L	H	φD	N	
1/8M	18	12	11	8	2
1/4M	22	14	12	11.5	4.1

[Note] Appearance and dimensions may differ slightly depending on materials and nozzle codes.

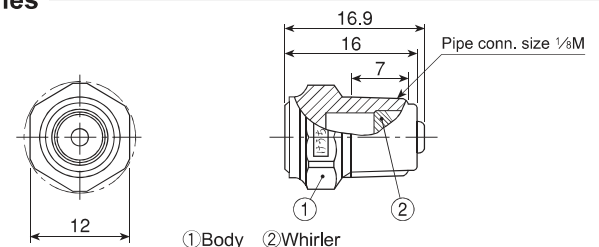


①Body ②Whirler

BBXP-PVC series

BBXP-PVC series	
Structure	● One-piece structure with removable X-shaped whirler.
Material	● PVC (polyvinyl chloride)
Mass	● 1.4 g

[Note] Appearance and dimensions may differ slightly depending on materials and nozzle codes.



①Body ②Whirler

Wide-angle Full Cone Spray Nozzles
BBXP/BBXP-PVDF/BBXP-PVC series

BBXP series

Full Cone

Spray Capacity Code	Pipe Conn. Size		Spray Angle (°)			Spray Capacity (ℓ/min)									Mean Drop. Dia. (μm)	Free Pass. Dia. (mm)
	1/8M	1/4M	0.05 MPa	0.2 MPa	0.5 MPa	0.03 MPa	0.05 MPa	0.1 MPa	0.15 MPa	0.2 MPa	0.35 MPa	0.5 MPa	0.7 MPa	1 MPa		
015	○	○	—	120	112	—	—	1.09	1.32	1.50	1.88	2.18	2.50	2.89	300	0.7
020	○	○	110	120	112	—	1.06	1.46	1.75	2.00	2.51	2.91	3.34	3.86	340	0.9
030	○	○	112	120	113	—	1.59	2.18	2.63	3.00	3.77	4.36	5.00	5.79	340	0.9
040	○	○	110	120	112	—	2.12	2.91	3.51	4.00	5.03	5.81	6.67	7.72	350	1.4
050	○	○	112	120	113	—	2.65	3.64	4.38	5.00	6.28	7.27	8.34	9.64	430	1.7
060	○	○	114	120	114	2.51	3.18	4.37	5.26	6.00	7.54	8.72	10.0	11.6	430	1.7

Spray Capacity Code	Pipe Conn. Size										Spray Angle (°)			Spray Capacity (ℓ/min)									Mean Drop. Dia. (μm)	Free Pass. Dia. (mm)
	3/8M	3/8F	1/2F	3/4F	1F	1 1/2F	2F	2 1/2F	3F	4F	0.15 MPa	0.35 MPa	0.7 MPa	0.03 MPa	0.05 MPa	0.1 MPa	0.15 MPa	0.2 MPa	0.35 MPa	0.5 MPa	0.7 MPa	1 MPa		
10	○	○									123	120	111	3.34	4.21	5.79	6.98	7.96	10.0	11.6	13.3	15.3	340	2.0
12	○	○									124	120	112	4.00	5.06	6.95	8.37	9.55	12.0	13.9	15.9	18.4	340	2.0
14	○	○									124	120	112	4.67	5.90	8.10	9.77	11.1	14.0	16.2	18.6	21.5	340	2.4
16	○	○									125	120	113	5.33	6.74	9.25	11.2	12.7	16.0	18.5	21.2	24.6	340	2.6
18			○								123	120	111	6.00	7.58	10.4	12.6	14.3	18.0	20.8	23.9	27.6	420	2.8
20			○								123	120	111	6.67	8.43	11.6	14.0	15.9	20.0	23.1	26.5	30.7	420	2.8
23			○								124	120	112	7.67	9.69	13.3	16.0	18.3	23.0	26.6	30.5	35.3	420	2.8
26			○								124	120	112	8.67	11.0	15.1	18.1	20.7	26.0	30.1	34.5	39.9	480	2.8
30				○							123	120	111	10.0	12.6	17.4	20.9	23.9	30.0	34.7	39.8	46.0	580	3.8
40				○							124	120	112	13.3	16.9	23.2	27.9	31.8	40.0	46.3	53.1	61.4	580	4.8
50				○							125	120	113	16.7	21.0	29.0	34.9	39.8	50.0	57.8	66.3	76.7	580	4.8
60					○						124	120	112	20.0	25.3	34.7	41.9	47.7	60.0	69.4	79.6	92.1	630	5.4
80					○						125	120	113	26.7	33.7	46.3	55.8	63.7	80.0	92.5	106	123	630	6.0
100						○					123	120	111	33.3	42.1	57.9	69.8	79.6	100	115	135	155	710	8.9
150						○					124	120	112	50.0	63.2	86.9	105	120	150	175	200	230	900	10.2
200							○				124	120	112	66.7	84.3	115	140	160	200	230	265	310	900	10.2
300							○				125	120	113	100	125	175	210	240	300	350	400	460	900	10.2
400								○			124	120	112	135	170	235	280	320	400	465	530	615	1,000	14.3
500								○			125	120	113	170	210	290	350	400	500	580	665	770	1,000	14.3
600									○		124	120	112	200	255	350	420	480	600	695	795	920	1,100	19.0
700									○		125	120	113	235	295	405	490	550	700	810	930	1,070	1,100	19.0
900										○	124	120	112	300	380	520	630	720	900	1,041	1,195	1,380	1,200	19.8
1200										○	125	120	113	400	505	695	840	955	1,200	1,390	1,590	1,840	1,200	21.7

BBXP-PVDF series

Spray Capacity Code	Pipe Conn. Size		Spray Angle (°)			Spray Capacity (ℓ/min)									Mean Drop. Dia. (μm)	Free Pass. Dia. (mm)	Nozzle Body Color
	1/8M	1/4M	0.05 MPa	0.2 MPa	0.5 MPa	0.03 MPa	0.05 MPa	0.1 MPa	0.15 MPa	0.2 MPa	0.35 MPa	0.5 MPa	0.7 MPa	1 MPa			
008	○		—	120	112	—	—	0.58	0.70	0.80	1.00	1.16	1.33	1.54	280	0.5	—
015	○		—	120	112	—	—	1.09	1.32	1.50	1.88	2.18	2.50	2.89	340	0.8	—
020	○	○	110	120	113	—	1.06	1.46	1.75	2.00	2.51	2.91	3.34	3.86	340	1.2	—

*Nozzle body colors differ depending on Spray Capacity Codes; BBXP008 and BBXP020 are black (BLA), BBXP015 is gray (GRA).

BBXP-PVC series

Spray Angle (°)			Spray Capacity (ℓ/min)									Mean Drop. Dia. (μm)	Free Pass. Dia. (mm)
0.05 MPa	0.2 MPa	0.5 MPa	0.03 MPa	0.05 MPa	0.1 MPa	0.15 MPa	0.2 MPa	0.3 MPa	0.5 MPa	0.7 MPa	1 MPa		
115	120	110	—	1.59	2.18	2.63	3.00	3.54	4.36	5.00	5.79	350	1.5

How to order

Please inquire or order for a specific nozzle using this coding system.

① BBXP series (metal)

(Example) ...1/8M BBXP015S303

1/8M	BBXP	015	S303
Pipe Conn. Size(*1)		Spray Capacity Code	Material(*2)
1/8M		015	S303
4F		1200	S316

② BBXP-PVDF series

(Example) ...1/8M BBXP020PVDF (BLA)

1/8M	BBXP	020	PVDF	(BLA)
Pipe Conn. Size		Spray Capacity Code		Nozzle Color
1/8M		008		BLA (BBXP008, 020)
1/4x1/8M(*3)		015		GRA (BBXP015)
		020		

③ BBXP-PVC series

1/8M BBXP030PVC-IN

*1) When Spray Capacity Code is 015–030, Pipe Connection Size for 1/4M is indicated as "1/4x1/8M".

*2) See "Material" information on page 72 for standard materials by each size.

*3) Pipe Connection Size code for 1/4M is "1/4x1/8M" in BBXP-PVDF series.