

For compressors

Flat Type
Plastic

FEATURES

- Uniform distribution resulting from the unique flat design.
- Made of high chemical/heat resistant PPS.
- Designed to have minimal noise level.

Flat Type



【Spray pattern】

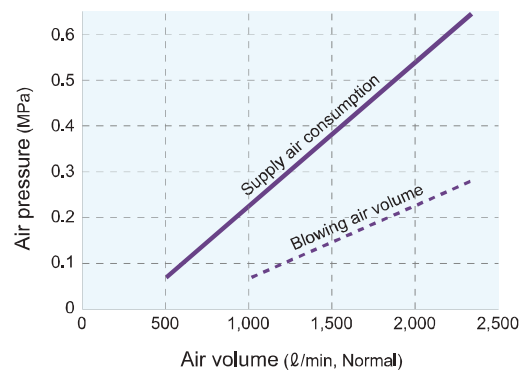
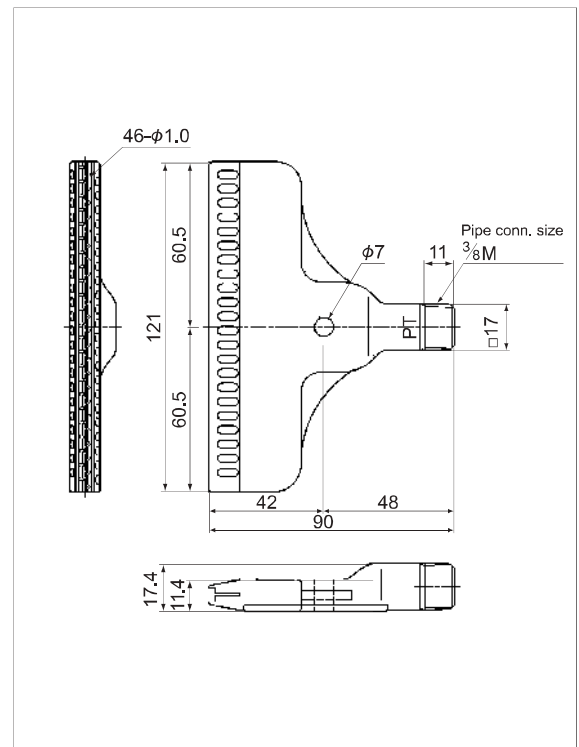
121 mm wide
Broad type

- ▶ Powerful air nozzle dramatically multiplies the supplied air volume.
- ▶ Spray width is three times broader than our conventional flat type (42 mm wide).



Material: PPS
Mass: 62 g
Max. air pressure: 0.7 MPa (100 psi)
Max. allowable temperature: 120°C (240°F)

■ Dimensions



How to order

Please inquire or order using this product code.

3/8M(PT) TF-F 121-46-010 PPS

Thread type
■ (PT)
■ (NPT)