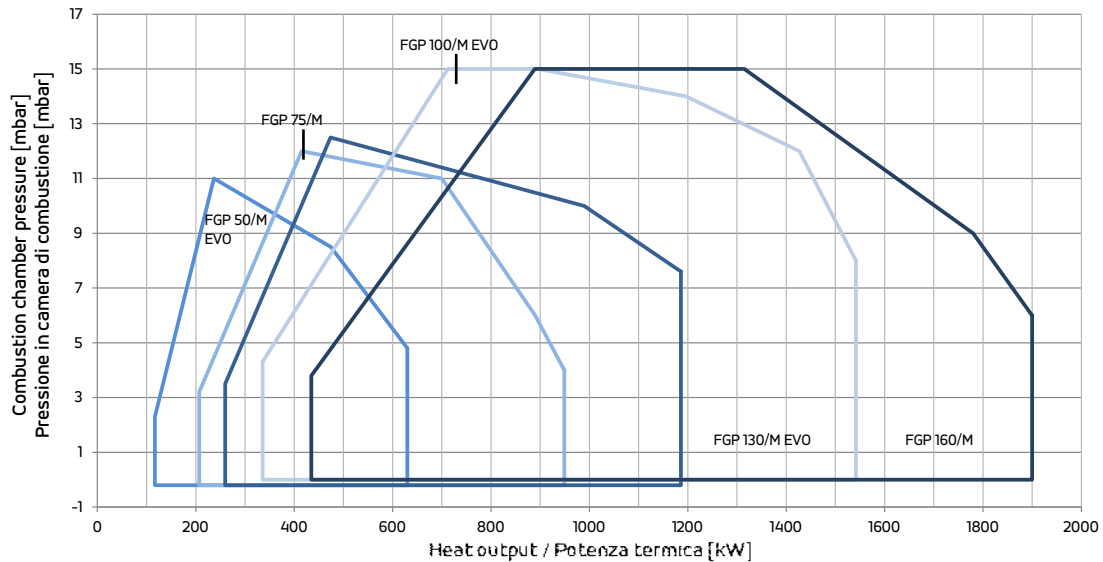
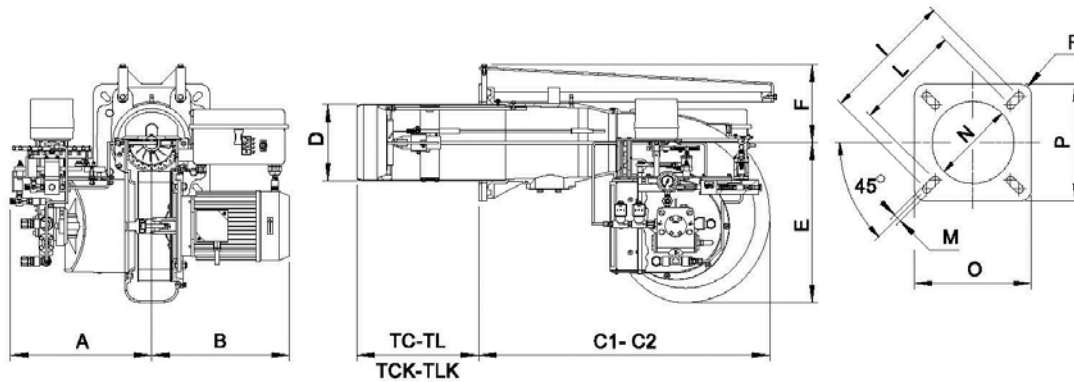


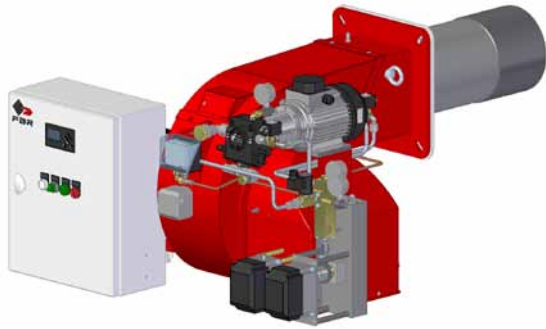
| PROGRESSIVE & MODULATING PROGRESSIVI E MODULANTI | kg/h | | kW | | 3F |
|---|---------|-----|-----------|------|----|
| | min | max | min | max | |
| FGP 50/M EVO | 10,5/20 | 53 | 124/237 | 630 | |
| FGP 75/M | 17,5/35 | 80 | 207/415 | 949 | |
| FGP 100/M EVO | 21,8/40 | 100 | 258,6/474 | 1186 | |
| FGP 130/M EVO | 28,3/60 | 130 | 336/712 | 1542 | |
| FGP 160/M | 36,7/75 | 160 | 435/889 | 1900 | |

FIRING RATES / OVERALL DIMENSIONS (mm) - CAMPO DI LAVORO / DIMENSIONI (mm)



| MODEL MODELLO | A | B | C1 | C2 | D | E | F | I | L | M | N | O | P | R | TC | TL |
|------------------|-----|-----|-----|------|-----|-----|-----|-----|-----|-----|-----|-----|-----|-----|-----|-----|
| FGP 50/M EVO | 328 | 275 | 740 | - | 150 | 417 | 100 | 226 | 205 | M10 | 160 | 207 | 200 | R20 | 250 | 335 |
| FGP 75/M | 350 | 310 | 700 | 1140 | 165 | 327 | 171 | 368 | 340 | M12 | 180 | 320 | 320 | R20 | 250 | 335 |
| FGP 100/M EVO | 386 | 375 | 651 | 1150 | 175 | 438 | 173 | 368 | 340 | M12 | 190 | 320 | 320 | R20 | 235 | 370 |
| FGP 130/M EVO | 386 | 376 | 815 | 1395 | 209 | 438 | 213 | 368 | 340 | M14 | 230 | 320 | 320 | R20 | 200 | 400 |
| FGP 160/M | 386 | 397 | 815 | 1395 | 209 | 438 | 213 | 368 | 340 | M14 | 230 | 320 | 320 | R20 | 200 | 400 |

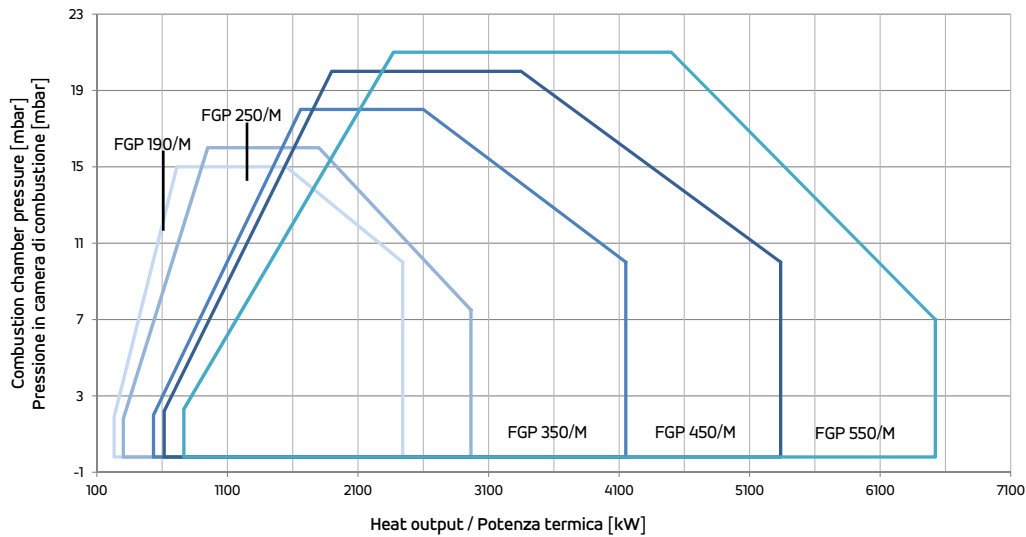
C2= overall dimension with the burner out in position of maintenance
 C2= ingombro a bruciatore arretrato in posizione di manutenzione



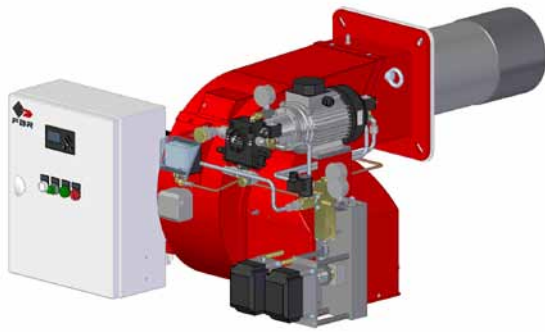
| PROGRESSIVE & MODULATING PROGRESSIVI E MODULANTI | kg/h | | kW | | |
|---|--------|-----|----------|------|----|
| | min | max | min | max | |
| FGP 190/M EL * | 20/60 | 206 | 232/712 | 2443 | 3F |
| FGP 250/M EL * | 26/80 | 250 | 302/949 | 2965 | |
| FGP 350/M EL * | 46/140 | 350 | 534/1660 | 4151 | |
| FGP 450/M EL * | 53/160 | 450 | 615/1898 | 5337 | |
| FGP 550/M EL * | 66/200 | 550 | 766/2372 | 6523 | |

* Available also versions with INVERTER
 * Fornibili anche in versioni speciali con INVERTER

FIRING RATES / OVERALL DIMENSIONS (mm) - CAMPO DI LAVORO / DIMENSIONI (mm)



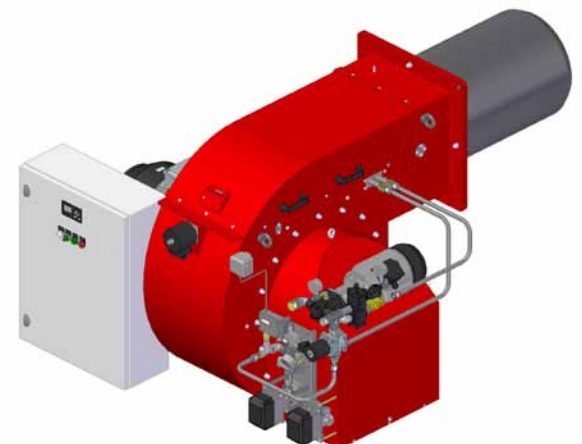
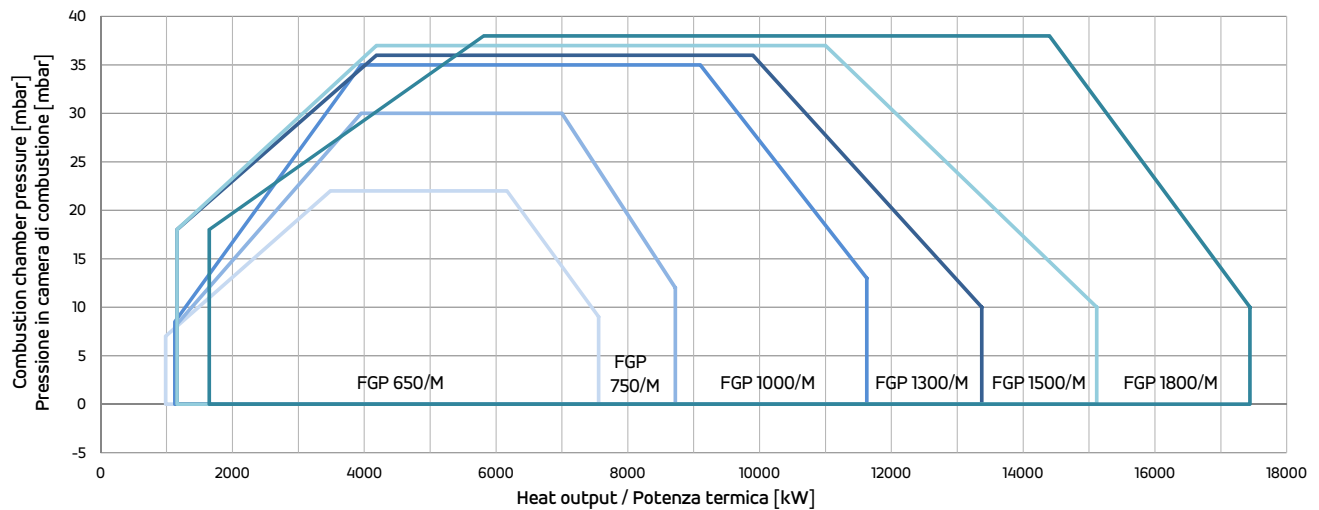
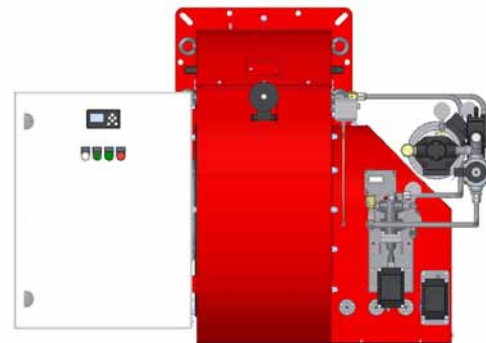
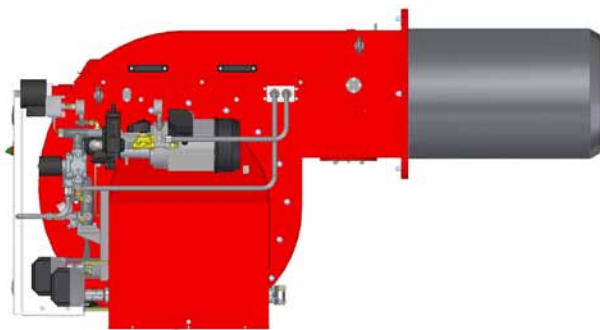
| MODEL MODELLO | * Suggested/Consigliato | | | | | | | | | | | | | |
|------------------|-------------------------|------|-----|-----|-----|-----|-----|-------|-----|-------|-------|-----|-------|-----|
| | A | B | C | D | E | F | G | I min | I * | I max | L min | L * | L max | M |
| FGP 190/M EL | 453 | 940 | 495 | 234 | 647 | 480 | 360 | 396 | 424 | 438 | 245 | 280 | 320 | M14 |
| FGP 250/M EL | 453 | 940 | 500 | 271 | 647 | 480 | 360 | 396 | 424 | 438 | 280 | 280 | 320 | M14 |
| FGP 350/M EL | 481 | 1050 | 535 | 334 | 700 | 600 | 490 | 552 | 552 | 580 | 350 | 350 | 450 | M14 |
| FGP 450/M EL | 481 | 1050 | 560 | 380 | 700 | 600 | 490 | 552 | 552 | 580 | 390 | 390 | 450 | M14 |
| FGP 550/M EL | 481 | 1050 | 560 | 380 | 700 | 600 | 490 | 552 | 552 | 580 | 390 | 410 | 450 | M14 |



| PROGRESSIVE & MODULATING PROGRESSIVI E MODULANTI | kg/h | | kW | | |
|---|---------|------|-----------|-------|----|
| | min | max | min | max | |
| FGP 650/M EL * | 85/294 | 637 | 986/3488 | 7558 | 3F |
| FGP 750/M EL * | 97/333 | 735 | 1125/3953 | 8721 | |
| FGP 1000/M EL * | 97/333 | 980 | 1125/3953 | 11628 | |
| FGP 1300/M EL * | 100/353 | 1127 | 1160/4186 | 13372 | |
| FGP 1500/M EL * | 100/353 | 1274 | 1160/4186 | 15116 | |
| FGP 1800/M EL * | 142/490 | 1471 | 1647/5814 | 17442 | |

* Available also versions with INVERTER
 * Fornibili anche in versioni speciali con INVERTER

FIRING RATES - CAMPO DI LAVORO



Please contact our Technical & Sales Offices for detailed technical data.

Vi invitiamo a contattare i ns. Uffici Tecnico-Commerciale per i dati tecnici di dettaglio.