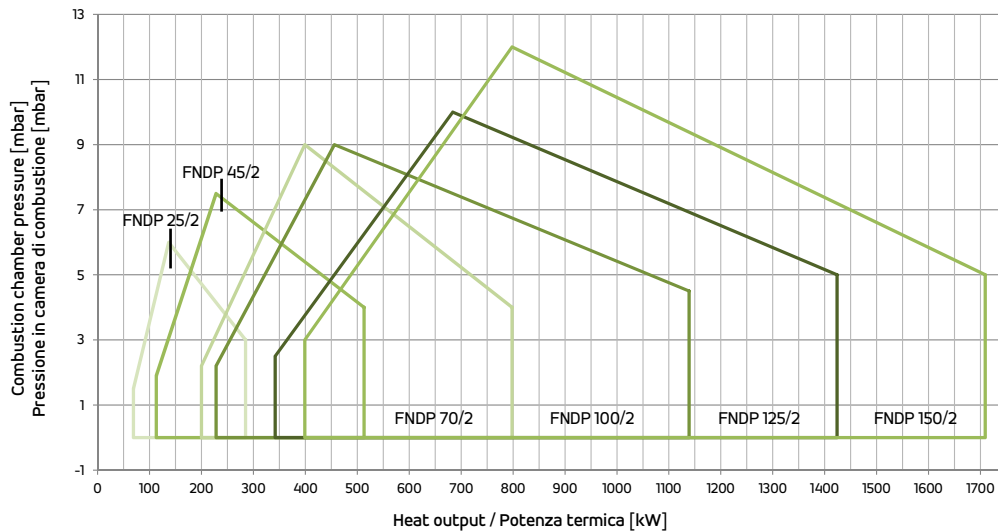
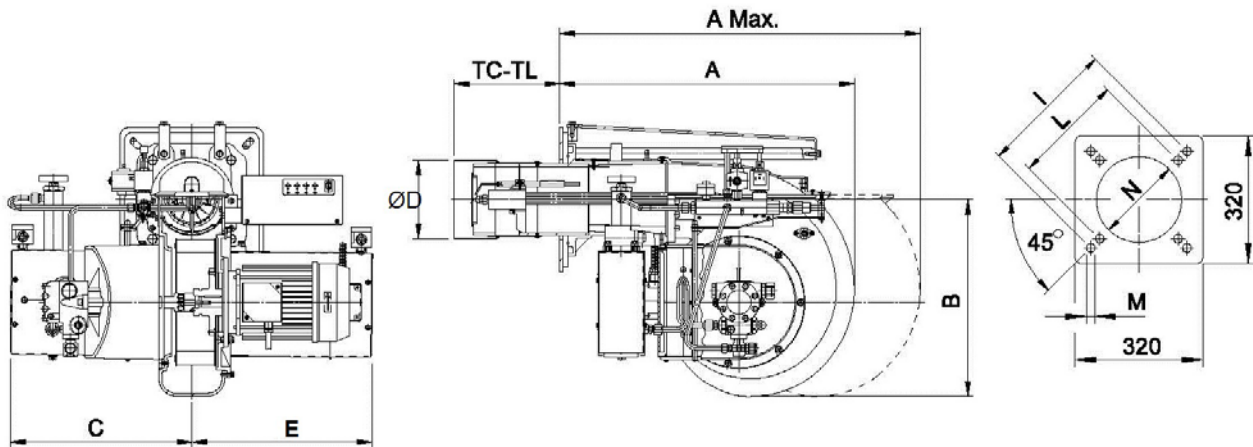




2 STAGES BISTADIO	kg/h		kW		3F
	min	max	min	max	
FNDP 25/2	12	25	137	285	3F
FNDP 45/2	20	45	228	513	
FNDP 70/2	35	70	399	798	
FNDP 100/2	40	100	456	1139	
FNDP 125/2	60	125	684	1424	
FNDP 150/2	70	150	798	1744	

FIRING RATES / OVERALL DIMENSIONS (mm) - CAMPO DI LAVORO / DIMENSIONI (mm)



MODEL MODELLO	A	A Max.	B	C	D	E	TC	TL	I	L	M	N
FNDP 25/2	540	950	325	295	135	319	170	350	340	283	M12	145
FNDP 45/2	540	950	325	295	150	319	170	350	340	283	M12	160
FNDP 70/2	660	1100	355	295	165	326	250	350	368	340	M12	180
FNDP 100/2	656	1085	440	410	175	400	235	335	368	340	M12	190
FNDP 125/2	820	1400	520	420	209	400	200	400	368	340	M14	230
FNDP 150/2	820	1400	520	420	209	400	200	400	368	340	M14	230