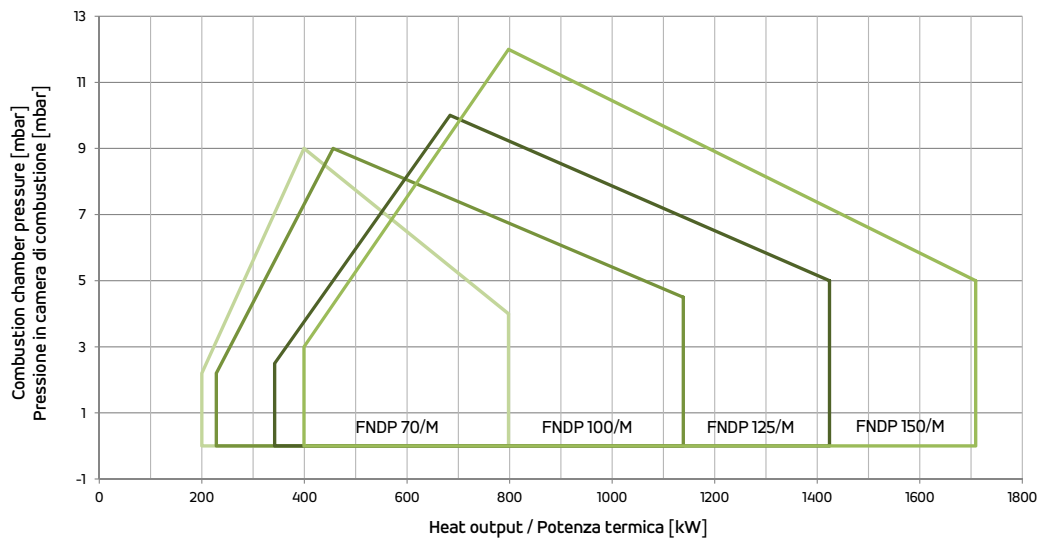
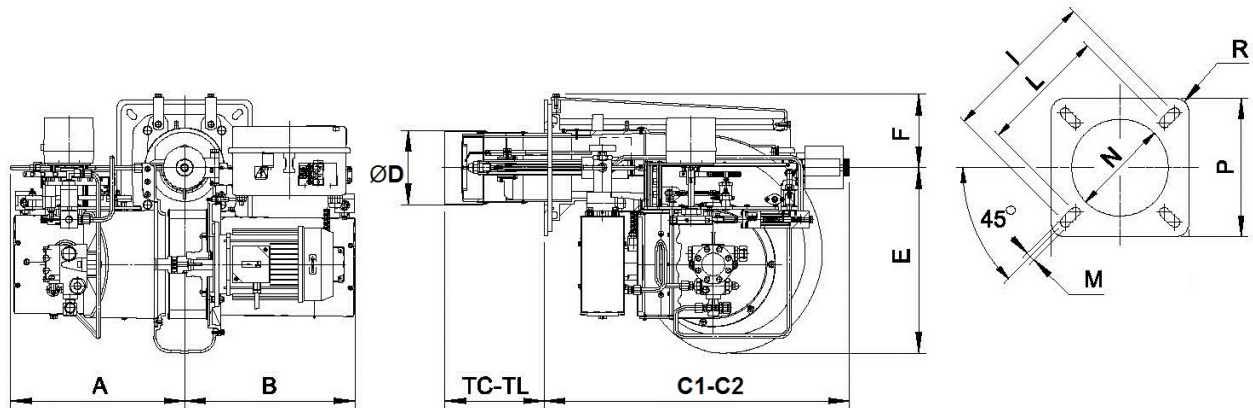




PROGRESSIVE & MODULATING PROGRESSIVI E MODULANTI	kg/h		kW		3F
	min	max	min	max	
FNDP 70/M	18/35	70	205/399	798	3F
FNDP 100/M	20,5/40	100	233/456	1139	
FNDP 125/M	29/60	125	330/684	1424	
FNDP 150/M	38,5/75	150	438/854	1744	

FIRING RATES / OVERALL DIMENSIONS (mm) - CAMPO DI LAVORO / DIMENSIONI (mm)



MODEL MODELLO	A	B	C1	C2	D	E	F	TC	TL	I	L	M	N
FNDP 70/M	360	385	735	1175	165	355	171	250	350	368	340	M12	180
FNDP 100/M	410	400	720	1150	175	440	173	235	335	368	340	M12	190
FNDP 125/M	420	400	860	1440	209	520	213	200	400	368	340	M14	230
FNDP 150/M	420	400	860	1440	209	520	213	200	400	368	340	M14	230

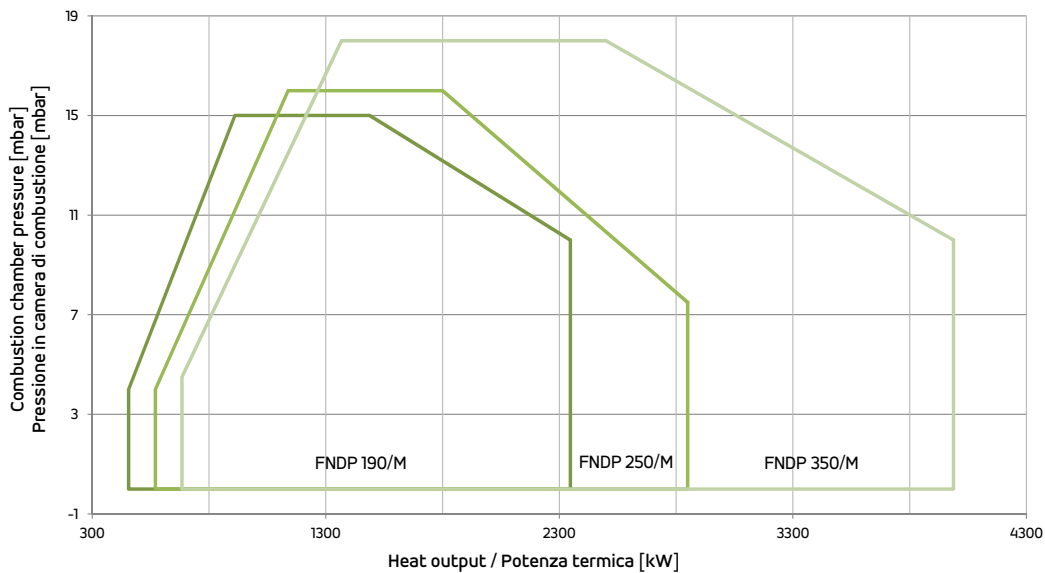
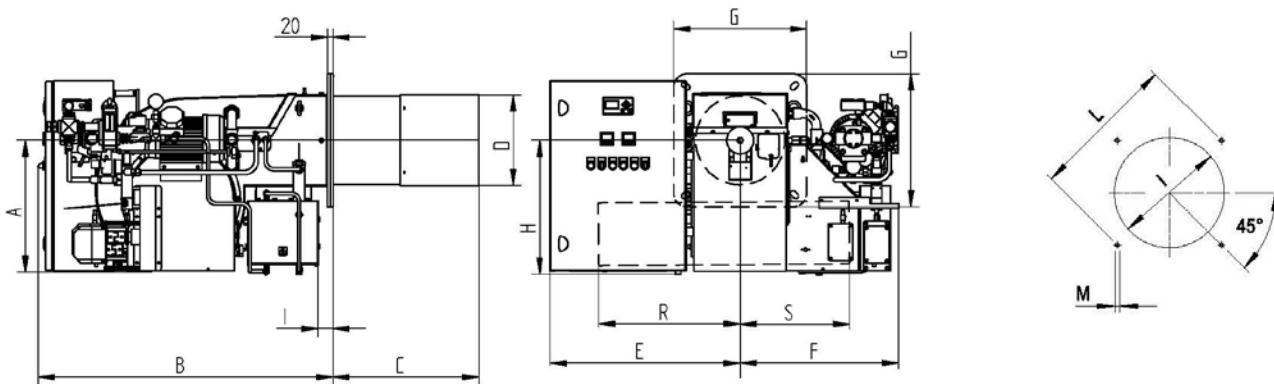
C2= overall dimension with the burner out in position of maintenance
C2= ingombro a bruciatore arretrato in posizione di manutenzione



PROGRESSIVE & MODULATING PROGRESSIVI E MODULANTI	kg/h		kW		3F
	min	max	min	max	
FNDP 190/M EL *	40/80	206	456/911	2347	
FNDP 250/M EL *	50/100	250	570/1139	2849	
FNDP 350/M EL *	60/120	350	684/1367	3988	

* Available also versions with INVERTER
* Fornibili anche in versioni speciali con INVERTER

FIRING RATES / OVERALL DIMENSIONS (mm) - CAMPO DI LAVORO / DIMENSIONI (mm)



MODEL MODELLO	A	B	C	D	E	F	G	H	I	L min	L*	L max	M	N min	N*	N max	R	S
FNDP 190/M EL	453	940	495	234	647	480	360	490	93	245	280	320	M14	396	424	438	400	400
FNDP 250/M EL	453	940	500	271	647	480	360	490	93	280	280	320	M14	396	424	438	400	400
FNDP 350/M EL	481	1050	535	334	700	585	490	495	75	350	350	450	M14	552	552	580	520	400

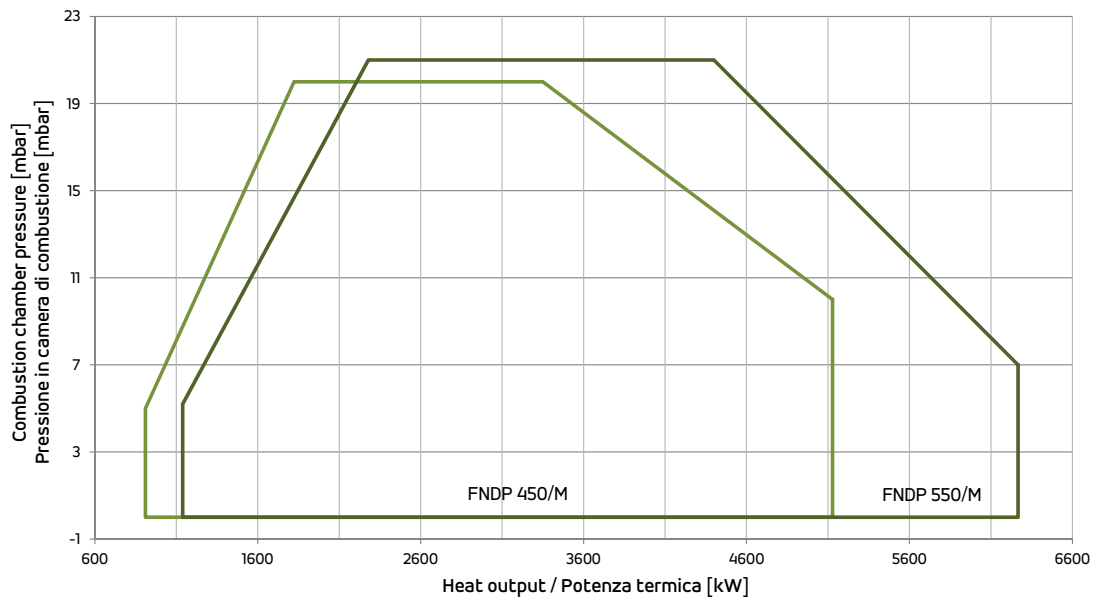
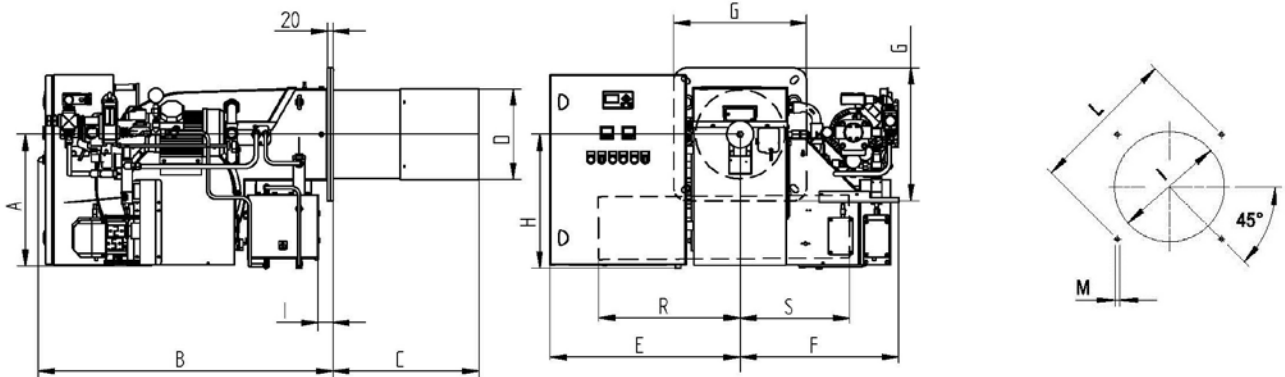
* Suggested/Consigliato



PROGRESSIVE & MODULATING PROGRESSIVI E MODULANTI	kg/h		kW		3F
	min	max	min	max	
FNDP 450/M EL *	80/160	450	911/1823	5128	
FNDP 550/M EL *	100/200	550	1139/2279	6267	

* Available also versions with INVERTER
* Fornibili anche in versioni speciali con INVERTER

FIRING RATES / OVERALL DIMENSIONS (mm) - CAMPO DI LAVORO / DIMENSIONI (mm)



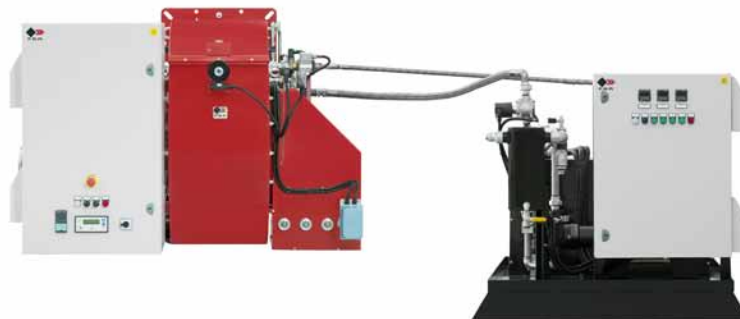
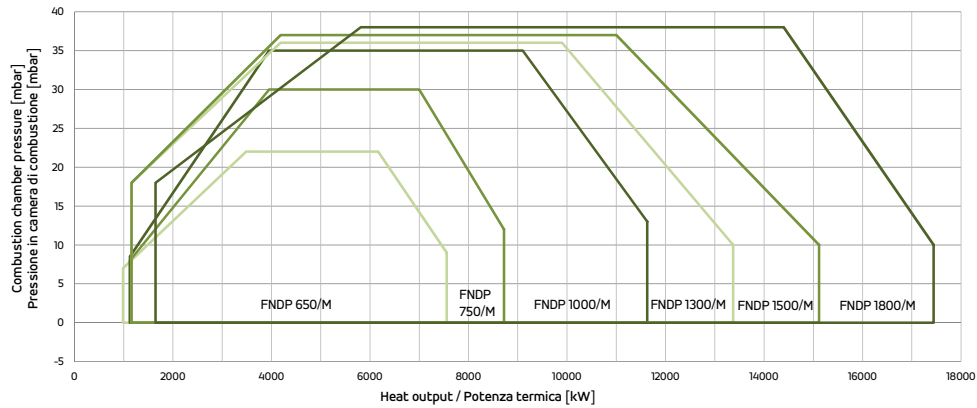
MODEL MODELLO	* Suggested/Consigliato																	
	A	B	C	D	E	F	G	H	I	L min	L*	L max	M	N min	N*	N max	R	S
FNDP 450/M EL	481	1050	560	380	700	585	490	635	57	390	390	450	M14	552	552	580	520	400
FNDP 550/M EL	481	1050	560	380	700	585	490	635	57	390	410	450	M14	552	552	580	520	400



PROGRESSIVE & MODULATING PROGRESSIVI E MODULANTI	kg/h		kW		
	min	max	min	max	
FNDP 650/M EL *	100/306	663	1139/3488	7558	3F
FNDP 750/M EL *	114/347	765	1299/3953	8721	
FNDP 1000/M EL *	114/347	1020	1299/3953	11628	
FNDP 1300/M EL *	123/367	1173	1401/4186	13372	
FNDP 1500/M EL *	123/367	1326	1401/4186	15116	
FNDP 1800/M EL *	167/510	1531	1903/5814	17442	

* Available also versions with INVERTER
 * Fornibili anche in versioni speciali

FIRING RATES - CAMPO DI LAVORO



Please contact our Technical & Sales Offices for detailed technical data.

Vi invitiamo a contattare i ns. Uffici Tecnico-Commerciali per i dati tecnici di dettaglio.