



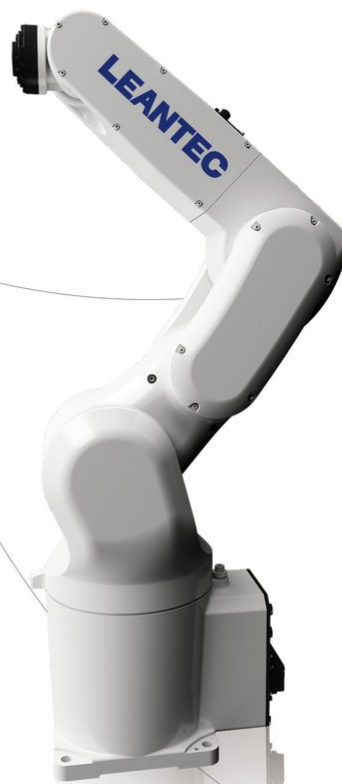
SYNTEC
TECHNOLOGY CO.,LTD.

LA707-7H Product Manual

匯出日期: 2023-08-21
修改日期: 2023-07-27



TRUSTED INTELLIGENT MANUFACTURING SERVICE



Product manual
Installation and maintenance

R Series
· LA707-7H



About this user manual

Thank you for buying our robot products.

This manual contains instructions for the proper installation and use of robots.

Please read this manual and other relevant manuals carefully before installing and using the robot system. After reading this manual, please keep it within easy access for future reference.

Unauthorized copying or reprinting of part or all of this manual is prohibited.

The contents of this manual may change from time to time without prior notice.

If you find the contents of this manual incorrect or needed to be improved or be supplemented, please feel free to contact us.

Except as expressly stated in this manual, nothing in this manual shall be construed as any warranty or warranty by the Company with respect to personal loss, property damage or specific fitness for purpose.

The Company is not responsible for any accident or indirect injury caused by the use of this manual and the products described in it.

Manual content

This manual contains the following instructions:

- Installation of robots
- The use of robots
- Maintenance of robots

Reading object

This manual is oriented toward:

- Installers
- Maintenance personnel

Warranty

The robot and its optional components are delivered after the company's strict quality control, testing and inspection, and the performance is confirmed to meet the company's standards.

Within the warranty period of the delivered products, the company will only repair the faults that occurred during normal use for free. (Please consult a salesperson in your area for the warranty period.)

However, the customer will be charged for repairs (even within the warranty period) if:

1. Damage or failure caused by improper use and improper use of the manual.
2. Failure caused by the customer's unauthorized disassembly.
3. Damage caused by improper adjustment or unauthorized repair.
4. Damage caused by natural disasters such as earthquakes and floods.

Warning

1. If the use of robots or related equipment exceeds the conditions of use and product specifications described in this manual, the warranty will be invalid.
2. The Company shall not be liable for any fault or accident, or even personal injury or death caused by the use of the products.

3. The Company cannot foresee all possible risks and consequences. Therefore, this manual cannot warn the user of all possible risks.

Inquiry

For the repair/inspection/adjustment of the robot, please contact our after-sales department.

If no after-sales department is recorded, please contact your local distributor.

To save your time, please prepare the following items before contacting:

- Controller name/serial number
- Robot name/serial number
- Software name/version
- Problems with the system



SYNTEC

1 Contents

- Contents
- Safety
 - About this Chapter
 - Safety Terms
 - Safety Identity
 - Risk
 - Safety characteristics
 - What is Emergency Stop
 - Enabling Device
 - Work Safety Guide
 - Description
 - Self Safety
 - Operate the teach pendant
 - Recovery From Emergency Stop
 - Safety Considerations For Manual Mode
 - Safety Considerations For Automatic Mode
 - Emergency Handle
- Product overview
 - Overview of Robot System
 - Load capacity
 - Function and purpose
 - Basic principles and main technologies applied
 - Overview of Robot Structure
- Technical parameters
 - Specifications
 - The workspace
 - The flange
 - Electronic Control Box Specification
- The installation
 - Environmental Conditions
 - On-site installation
 - Transportation
 - Installation
 - Mechanical interface
 - Electrical connections
 - Wiring connection
 - Grounding Instructions
 - User Wiring
 - IO Wiring Definition
 - Function test
 - Check before Power-on
 - Power-on abnormality check
 - Check the Mastering position, each axis direction, and soft limit of the robot
 - Test procedure of Automatic Mode
- Maintenance
 - About safety during maintenance
 - Troubleshooting
 - Maintenance plan
 - Check interval
 - Tightening of hexagon socket screws

- The maintenance of synchronous belt
 - 2nd-axis synchronous belt maintenance
 - 3rd-axis synchronous belt maintenance
 - 4th axis synchronous belt maintenance
 - 5/6th axis synchronous belt maintenance
- Battery Change Description
- Waterproof Sealant Instructions
 - Corresponding Model
 - Model of sealant
 - Usage and precautions
- Zero Point
 - About mechanical home
 - Zero point calibration
 - Calibration steps
- Appendix
 - Appendix 1: IP67 Reinforcement Kit Installation
 - 1.1 Corresponding Model
 - 1.2 Part List
 - 1.3 Pneumatic Wiring Schematic
 - 1.4 Installation Procedure
 - 1.5 Mounting
 - 1.6 Maintenance Precautions



SYNTEC

2 Safety

2.1 About this Chapter

Instruction

This chapter explains the content that must be observed in the safe use of the robot. Please read this chapter and carefully before using the robot system.

This chapter introduces the safety principles and procedures to be considered when using LEANTEC robots.

User Introduction

Users can be divided into 3 types :

Operators :


- Turn on or off the system power
- Start or stop the program
- Restore system alarm state

Programmers :

- In addition to the operator's work
- Teach new robot programs

Technicians :

- In addition to the programmer's work
- Repair and maintain the robot system

 Both programmers and technicians are required to take professional training from the original factory.

2.2 Safety Terms







2.2.1 Safety Identity

About safety identity

When operating the robot in accordance with the contents of this manual, different degrees of danger may be encountered. Therefore, near the operation instructions that may cause danger, there will be a special safety mark prompt box to remind users to pay attention to precautions. The contents of the prompt box include:

- An icon representing the safety level and corresponding name, such as warning, danger, prompt, etc.
- A simple description of what could happen if the operator did not eliminate the hazard
- Instructions on how to eliminate hazards

Safety level


Icon	Name	Description
	Danger	If the content with this logo is not operated in accordance with the regulations, it will cause serious or even fatal to the personnel Life damage, and will/may cause serious damage to the robot. Operations associated with such hazards include contact with high voltage components in the control cabinet and movement during robot operation into its work area, etc.
	Warning	It is suggested that the current operation may have the risk of accidents, causing serious or even fatal injuries.
	Electric Shock	It is suggested that the current operation may have the risk of electrocution, causing serious or even fatal injuries.
	Caution	Content bearing this logo, if not operated in accordance with the regulations, may result in personal injury and damage to the machine itself.
	Anti-static (ESD)	It is suggested that the parts involved in the current operation are sensitive to static electricity and may be damaged during the operation if they are not operated according to the specification.
	Reminder	Used to suggest important information or prerequisites.







2.2.2

Risk

Introduction



Icon	Name	Description
	Pinch	When operators and maintenance personnel enter the robot's movement range during commissioning, maintenance, overhaul and tool clamping, they may cause damage.

Icon	Name	Description
	Clamp hand	There is a risk of a pinch when the maintenance personnel approaches the belt drive during a maintenance operation.
	Collision	When operators and maintenance personnel enter the movement range of the robot during commissioning, maintenance, overhaul and tool clamping, collision or serious injury may occur.
	Friction	When the operator and maintenance personnel enter the movement range of the robot during commissioning, maintenance, overhaul and tool clamping, there may be abrasions
	Parts fly out	Operators and maintenance personnel enter the movement range of the robot during commissioning, maintenance, overhaul and tool clamping, and the tool or workpiece may fly out due to lax clamping, which may cause serious damage.
	Fire	Fire may occur in the event of a short circuit or wirings and devices catching on fire which may cause serious injury.
	High temperature	When maintenance personnel contacts the high-temperature surface of the robot during equipment overhaul and maintenance, it may cause burns.



Warning, any robot in motion can be fatal!




When a robot is running, it may perform undesirable or even unreasonable movements. In addition, the robot will carry a huge amount of energy when moving, and when a collision occurs, it will cause serious injury/damage to the personnel and equipment in its working range

Elimination of danger

	Operate	Reference information
1	Make sure all emergency stop equipment is properly configured and installed before starting the robot.	Emergency stop equipment includes a safety gate, safety grating, safety light blanket, etc.
2	In the process of robot programming, it is necessary to ensure that the teach pendant is held by the person entering the working area of the robot.	Avoid the danger of operating the robot with the teach pendant when the personnel outside the work area do not observe the personnel inside the work area.
3	Before starting to run the robot program, make sure that there are no other personnel in the robot's work area.	

Robot icon description

Icon	Name	Description
	Collision hazard sign	Keep a safe distance when the robotic arm is in operation to avoid a collision.
	Specification label	Label the specifications of the robotic arm and manufacture dates.

Icon	Name	Description
	Grounding sign	The robotic arm must be connected to the ground to prevent electrical shock.
	Electrical Shock Hazard Sign	The robotic arm might have potential electrical shock risks.
	Operate Carefully Sign	Be careful when operating the robotic arm, and predict the movement of the robotic arm.

2.2.3 Safety characteristics

Instruction

PLC is built into the Syntec system to process safety-related signals, and external safety signal interfaces such as safety gate and safety grating are provided.

Signals processed by PLC include :

- Reset signal
- Safety gate signals
- Emergency stop reset signal
- Enable switching signals
- Mode selection signals
- Servo on signal

2.2.4 What is Emergency Stop

Definition of safe stop

The emergency stop is the highest priority function in the robot system. Pressing the emergency stop button will trigger the emergency stop. At this time, all other robot control functions will stop, the robot will stop moving and the motor power of each joint will be cut off. The control system will switch to the emergency stop state, which will be maintained until it is manually reset.

The emergency stop means that all power to the robot will be cut off except for the manual brake release circuit. To restore the system to its normal state, a manual reset operation must be performed, that is, first release the emergency stop button and then manually press the power on the control cabinet.



Reminder

An emergency stop is only used to stop the robot immediately in a dangerous situation.



Reminder

The emergency stop should not be stopped as a normal procedure. Otherwise, it will cause extra and unnecessary wear to the brake system and transmission system of the robot, and reduce the service life of the robot.

Emergency stop button

By default, the robot system is equipped with two emergency stop buttons that trigger an emergency stop when pressed. One is mounted on the control cabinet and the other is mounted on the teach pendant.

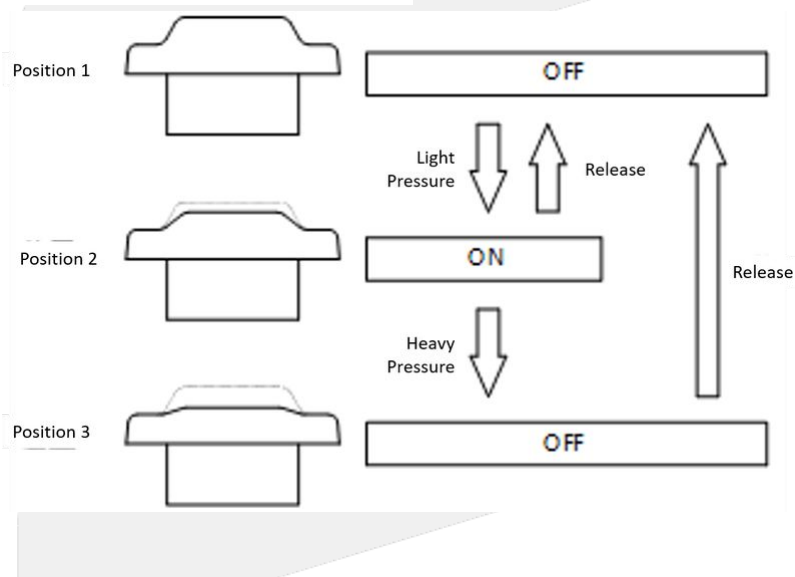


In addition, your system integrator may install additional emergency stop buttons during the robot deployment process. Please contact your system integrator or consult the robot workstation documentation for more information.

2.2.5 Enabling Device

It is a special switch with two presses and three positions, which only works if the enable switch been pressed and kept in the middle position. If the switch is released or fully pressed, the robot movement will be stopped.

It needs to be pressed together with other keys to prevent mistouch.



Reminder

The enabling device is mounted on the back of the teach pendant, and Jog or run programs can only be performed when pressed it to the middle position. The operation is invalid when the switch is released or fully pressed.

For safe use, the following requirements must be observed:

- Enable switches must work properly under all circumstances.
- During programming and commissioning, release the switch when robot movement is not required.

Anyone entering the robot's workspace must carry a teach pendant with them to prevent others from starting the robot without the knowledge of insiders.



Warning

External devices that jam the enabling device in the middle position are strictly prohibited!

2.3 Work Safety Guide

2.3.1 Description

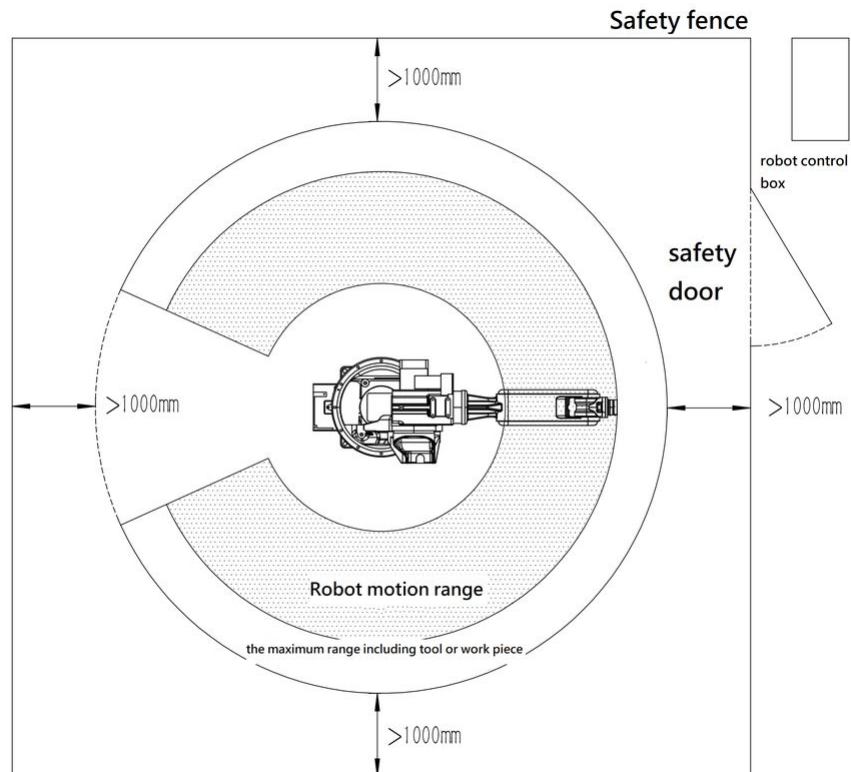
About Robots

No matter how fast they move, industrial robots are potentially dangerous. A pause or wait in a program may be followed by a very fast and dangerous motion command. Even if you are already familiar with the current robot's trajectory and mode, the robot's trajectory in automatic mode can still be changed by external signals without warning.

Therefore, safety regulations must be followed when entering the working area of the robot.

About robot installation site

The installation location of the robot needs to be sufficiently large to ensure that even when all the robot joints are fully extended, its wrist tool or workpiece tip will not touch the walls, safety fences, or the robot's control box. Otherwise, there is a risk of collision with the robot, leading to potential injury to personnel and damage to the equipment.



About this section

This section refer to GB 11291.1 and GB 11291.2 safety standard. It will introduce some basic standard specification about robot faced user, but being unable to cover every specific situation due to space problem.

2.3.2 Self Safety

Basic Principle

There are a few simple principles that must be followed in order to operate a robot safely:

- All of the operating procedures must be professionally evaluated and based on relevant industrial safety regulations.
- Operators who work with robots must wear safety equipment suitable for the working environment before performing operations, such as safety vests, safety shoes and safety helmets.
- When personnel encounter danger or other emergency and abnormal situations due to the robot, please press the emergency stop button for the first time, and use the manual mode to move the robot away from the dangerous situation at low speed.
- A safety area must be set outside the working area of the robot, and appropriate safety devices must be used to prevent unauthorized personnel from entering.
 - The operator must be outside the safe area to operate the robot.
 - When a worker is in the safe area of the robot, the robot can only be operated in manual mode.
 - When you enter the secure area of the robot, you must hold the teach pendant in your hand to ensure that the robot is under your control.
- Keep an eye out for moving tools, such as drills, saws, etc. installed on the robot. Make sure the tools stop working before approaching the robot.
- Pay attention to the problem of the workpiece surface or robot body. After long working hours, the temperature of robot motor and outer shell may be very high.
- Pay attention to the robot's gripper and the objects it is holding. If the gripper is opened, the workpiece may fall and cause injury to personnel or damage to equipment. In addition, the grippers used by the robot can be very powerful and can cause damage if not used properly.
- Watch for electrical components in the robot and control cabinet. Even when power is lost, the energy stored in the device can be very dangerous.
- Any move of a climbing robot is forbidden.



Warning

- Relevant education training and permission is a must for the person installing the robot.
- In order to protect personal safety, the installation procedures in this manual and related industrial safety regulations must be followed.
- Avoid placing the control box near high voltage or other components that generate electromagnetic fields, to prevent the electromagnetic interference which may cause deviation or malfunction of the robot.
- It may cause damage or malfunction of the robot if it uses aftermarket repair parts.

- Be careful of the heat source generated by the controller and servo motor.
- Do not excessively bend the power signal cable. Otherwise, it may cause unexpected danger.
- The teach pendant removed from the control cabinet should be properly stored away from the robot workstation or control cabinet. It is needed to prevent that the operator might be misled to think that the teach pendant is still connected to the control cabinet and try to use the unconnected teach pendant to stop the robot when danger happened.

Precautions for using hydraulic and pneumatic



Danger

- When using hydraulic and pneumatic in operation, the clamped workpiece may fall due to insufficient pressure or gravity.
- The hydraulic and pneumatic systems need to be equipped with safety valves for emergency use.

2.3.3 Operate the teach pendant

Instruction

The teach pendant equipped with Syntec system is manufactured with advanced electronic components. In order to avoid failure or damage during use, please follow the following requirements.

Teach pendant controller lecturers are developed, manufactured and tested in accordance with relevant industry standards and are intended for use only as described in this manual. If you follow the requirements in this manual, the teach pendant controller will not cause personal injury or damage in normal use.

Operation and cleaning



Danger

The programming must be performed outside the safety fence. If you need to enter the safety fence for operation, you must press the emergency stop button.

- Handle it lightly to avoid falling, throwing or a strong impact on teach pendant. Otherwise, it may cause obstacles.
- If the teach pendant experiences a strong shock, verify that the enable switch and emergency stop button are still in normal working conditions before using again.
- When you do not use the teaching device, please store it properly to avoid accidental dropping.
- Avoid tripping over your own cable when using the teach pendant.
- Do not operate the touch screen with sharp objects, such as a screwdriver, pen tip, etc.. Otherwise, the touch screen may be damaged. Operate with a finger or a stylus on top of the pointer.
- Clean the touch screen often, dust and small particles of impurities may cause the touch screen to malfunction.

- Do not use chemical solvents, detergents or washing surfaces to clean the teach pendant. Use a soft cloth and a small amount of water to scrub.
- When not using the USB interface, the protective adhesive cap must be properly fastened. Otherwise, exposure to dust may cause interface failure.

Pendant cable

- Ensure that the staff does not trip over the teach pendant cable and causes the teach pendant to fall.
- Do not squeeze the teach pendant cable. Otherwise, it may damage the inner core.
- Do not place the teach pendant cable at sharp edges, as this may damage the cable sheath.

2.3.4 Recovery From Emergency Stop

Instruction

The reset operation must be performed when the system is in an emergency stop state in order to return to the normal state. The reset process is very simple but very important to ensure that the robot system is not put into production operation in a dangerous state.

Reset emergency stop button

All button-type emergency stop devices have a safety lock mechanism that must be manually released after being pressed to reverse the emergency stop state of the device. Most emergency stop buttons are released by rotation, with the direction of rotation marked on the surface of the button. There are also some buttons that support a direct uppull release method.

Reset the external stop device

All external emergency stop devices such as safety gates, safety gratings, etc., have some type of safety lock mechanism. If you use external emergency stop devices in your robot workstation, please consult your system integrator for more device reset information.

Recovery from E-Stop

Operate	
1	Confirm that the hazardous condition causing the emergency stop has been addressed and that the hazard source is no longer present.
2	Reset a safety device that causes an emergency stop.
3	Press the servo prepare button on the teach pendant controller to restore the system from the emergency stop.

2.3.5 Safety Considerations For Manual Mode

About manual mode

In manual mode, the movement of the robot is under manual control. Jog or run the robot only if the enable switch is in the middle position.

Manual mode is used to write and commission robot programs and participate in the commissioning of the workstation.

Bypass external safety signals

In manual mode, signals of external safety devices will be by bypassed, such as safety doors and safety light barriers. This means, to facilitate debugging, the system will not be in an emergency stop state even if the safety door is opened in manual mode.

2.3.6 Safety Considerations For Automatic Mode

About automatic mode

The automatic mode is used to run the robot program during the formal production process.

In the automatic mode, the enable switch will be bypassed, so the robot can run automatically without human involvement.

Enable external safety signals

External safety signals such as safety gate and safety grating will be enabled in automatic mode, and an emergency stop will be triggered when the safety gate is opened.

Safe fault recovery in processing production

Most of the time, robots are part of a production line, so robot failures do not only affect the workstation itself but when problems occur in other parts of the production line, the robot workstation may also be affected. Therefore, it is up to those familiar with the entire production line to design fault recovery solutions to improve safety.

For example, on a production line, the robot needs to grab the workpiece from a conveyor belt. In case of a robot failure, in order to ensure that the production process is not interrupted, the conveyor belt should be kept in operation while the robot is being repaired. At this time, the robot maintenance personnel should consider additional safety measures for working beside the conveyor belt in operation.

Another example, when a welding robot is removed from a production line for routine maintenance, other robots associated with the same process must also be stopped to prevent human injury.

2.3.7 Emergency Handle

Handling of light fire

In the event of imminent fire danger or fire that has already started but not yet spread, do not panic, remain calm and extinguish the flames with the fire extinguishing equipment provided at the scene. Do not use water to extinguish the fire caused by a short circuit.



Warning

The user shall provide the fire extinguishing device for the robot in the working site. The user shall select the appropriate fire extinguishing device according to the actual situation on the site.

Measures to deal with severe fire

When the fire has spread and is out of control, site staff should not try to put out the fire, but should immediately notify other staff, give up personal belongings, and evacuate from the emergency exit as soon as possible. Elevators are not allowed during an evacuation, and the fire brigade should be called during evacuation.

If a person or clothing is on fire, do not let him/her run away. Instead, let him/her quickly lie down on the ground and put out the fire with clothes or other suitable objects and means.

Handling of electric shock accident

When someone gets an electric shock, don't panic. First, cut off the power as soon as possible.



Warning

Do not contact the electrocuted person directly. Otherwise, the rescue personnel may also be electrocuted!

Appropriate methods and measures should be taken decisively according to the specific conditions on the spot. Generally speaking, there are several methods and measures shown below:

- If the power switch or button is close to the shock point, pull the switch quickly and cut off the power.
- If the power switch or button is far away from the electric shock location, insulated pliers or axes, knives and shovels with dry wooden handle can be used to cut off the power side (i.e., where the electricity is coming from). The cut wire should not touch the human body.

When the wire is attached to or under the body of the electrocuted person, dry wooden sticks, wooden boards, bamboo poles or other tools with an insulating handle (holding the insulated handle) can be used to quickly remove the wire. Do not use any metal bar or wet things to pick up the wire, so as to avoid the electrocuted person.

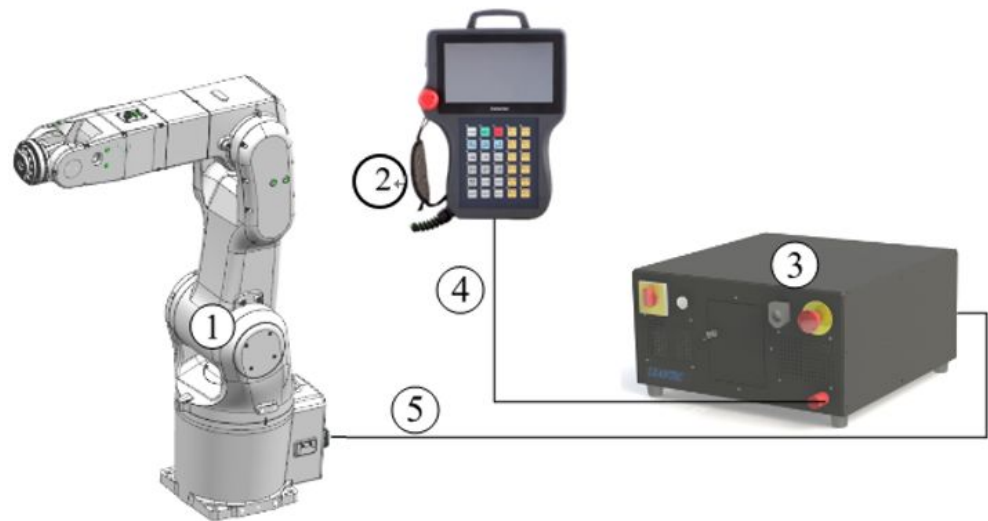
Treatment of electrocuted wounded person

- If the electrocuted victim is conscious, lay him/her on his/her back and watch him/her closely. Do not stand or walk for a while.
- If the contact person is unconscious, lay him/her on his/her back to make sure the airway is clear, and call or pat him/her on the shoulder at a 5-second interval to determine if he/she is unconscious. Do not swing the victim's head to call the victim. Contact the ambulance as soon as possible while rescuing on the spot.
- If the electrocuted victim loses consciousness, the patient's breathing and heartbeat should be judged within 10 seconds. If there is no breathing and no pulsation of the artery, it can be determined that the respiratory heart has stopped, and it should be rescued by cardiopulmonary resuscitation immediately.



SYNTEC

3 Product overview



3.1 Overview of Robot System

System overview

A complete robot system includes the robot body, controller, instructor, connecting cables, software, terminal actuators and other accessories, as shown in the figure below.

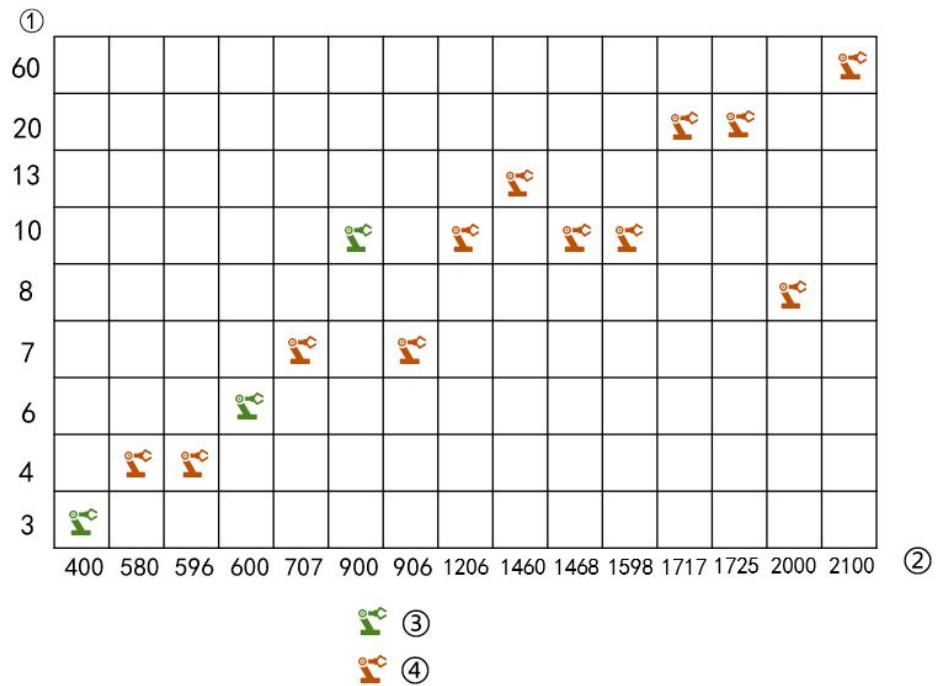
The figures are illustrated below:

- 1 = robot
- 2 = teach pendant
- 3 = control cabinet
- 4 = teach pendant cable
- 5 = cabinet cable

3.2 Load capacity

Load capacity of the joint robot

SYNTEC



Label	Name
①	Load capacity (KG)
②	Work space (mm)
③	Four joints robot
④	Six joints robot

3.3 Function and purpose

Function and purpose

An industrial robot is a mechanical and electronic device that anthropomorphizes arms, wrists and hand functions; it can move any object or tool according to the time-variant requirements of spatial position-pose (position and orientation) to complete the operation requirements of a certain industrial production. The use of Leantec industrial robot is as follows: To carry out spot welding or arc welding on the body of cars or motorcycles using welding guns or welding torches to carry parts or components formed by die casting or stamping, laser cutting, spray and to assemble mechanical parts and etc.

3.4 Basic principles and main technologies applied

Principles and technologies

Principles: Leantec robot is composed of a four-joint robot, control cabinet and 81R teach pendant controller. The teach pendant controller gives the command to two SYNTEC three-in-one drivers, and the drivers drive the six motors on the robot to rotate regularly to control the motion path of the center of rotation at the end of the sixth axis.

Technologies:

1. High speed and precision advanced:

After the user has programmed through the human-machine interface of the teach pendant, the corresponding robot program will be generated. After the program is planned for high speed and high precision offset time, the position command will be transmitted to the Servo Motor Driver through serial communication at each offset time, so that the lower machine does the command planning of the servo motor.

2. Servo motor control:

After receiving the position command from the Controller, the drive will make further motor command planning and send the motor command of each offset time to the servo motor, so that the servo motor could drive the reducer to run.

3. After completing the two points above, the reducer will drive the operation of the robot and completes the action edited by the user to meet application scenarios such as welding, picking, and placing, etc.

3.5 Overview of Robot Structure

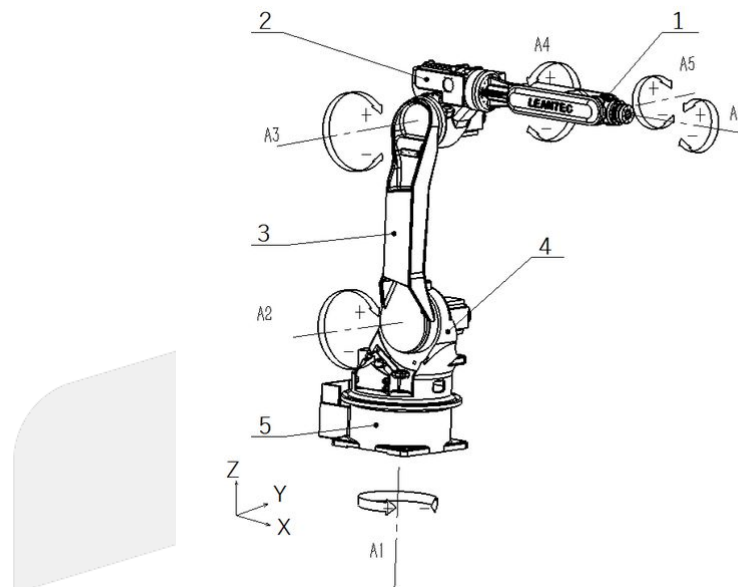
Structure

The main structural parts of the robot body are made of cast aluminum alloy, with a total of 6 degrees of freedom. Each joint motor is equipped with a brake. A mechanism consists of the following parts:

- i. Wrist -- The wrist has three degrees of freedom and is located at the output end of the robot, including axis 4th, axis 5th, and axis 6th.
- ii. Forearm -- The forearm is located between the upper arm and the wrist and is driven by the 3rd motor.
- iii. Upper arm -- The upper arm is located between the lower arm and the lumbar joint and is drive by the 2nd motor.
- iv. Waist -- The waist is located between the upper arm and the base and is driven by the 1st motor.

SYNTEC

- v. Base -- The base is the foundation of the robot, with electrical connections for the robot at its rear.



Each axis motion:

- A1 axis: whole mechanical arm rotation
- A2 axis: upper arm pitch
- A3 axis: small arm pitch
- A4 axis: small arm rotation
- A5 axis: wrist swing
- A6 axis: wrist rotation

SYNTEC

4 Technical parameters

4.1 Specifications

Performance parameter table

The performance parameters of the robot are shown in the table

Model		LA707-7H
DOF		6
Drive mode		AC servo drive
Maximum arm reach		707mm
Positioning repeatability		±0.02mm
Maximum wrist load		7kg
Range of motion	Axis 1	+170°~-170°
	Axis 2	+135°~-96°
	Axis 3	+65°~-195°
	Axis 4	+170°~-170°
	Axis 5	+120°~-120°
	Axis 6	+360°~-360°
Maximum speed	Axis 1	440°/s
	Axis 2	355°/s
	Axis 3	440°/s
	Axis 4	480°/s
	Axis 5	450°/s



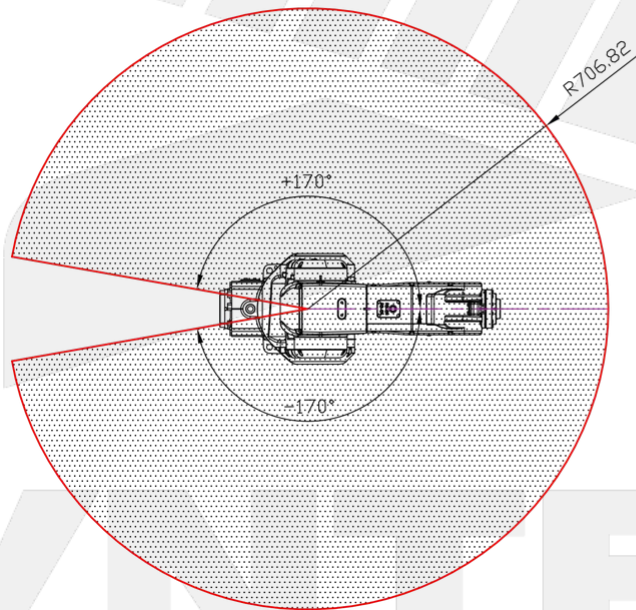
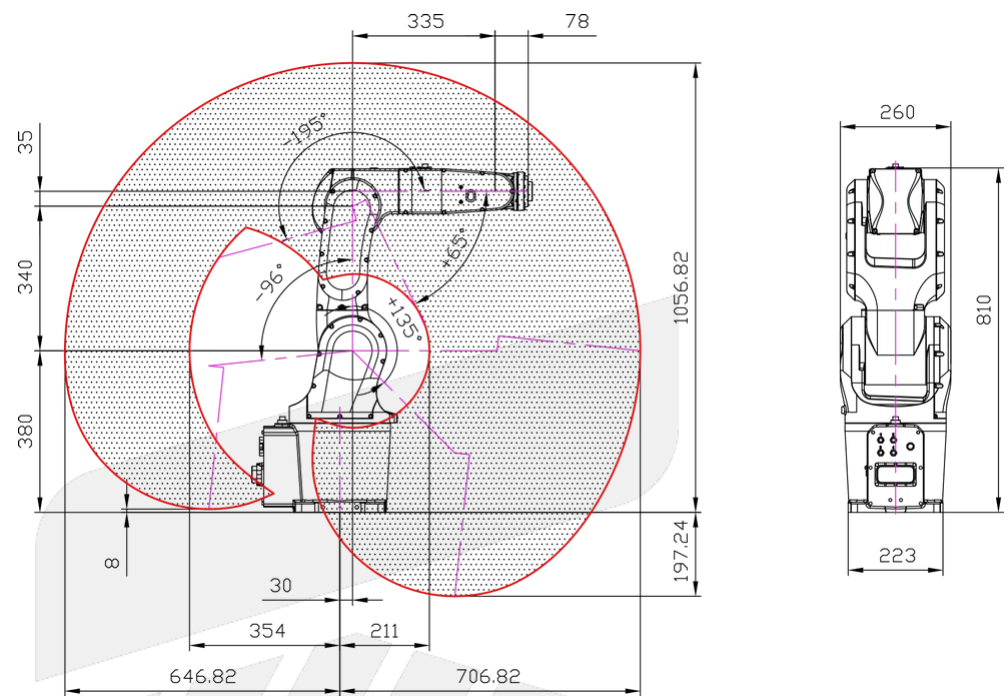
Model		LA707-7H
	Axis 6	900°/s
Operating temperature		0°~+45°
Storage temperature		-10°~+55°
Protection Grade		Standard IP54, optional IP67
Method of Installation		Floor, upside, tilt
Base Dimension		223mm×223mm
Base Mounting Hole		180mm×180mm
Noise Level		≤70dB(A)
Weight		Approx 50kg

4.2 The workspace

Robot workspace

LRA707-7-6H-R The working space of the robot is shown in the following figure:

SYNTEC



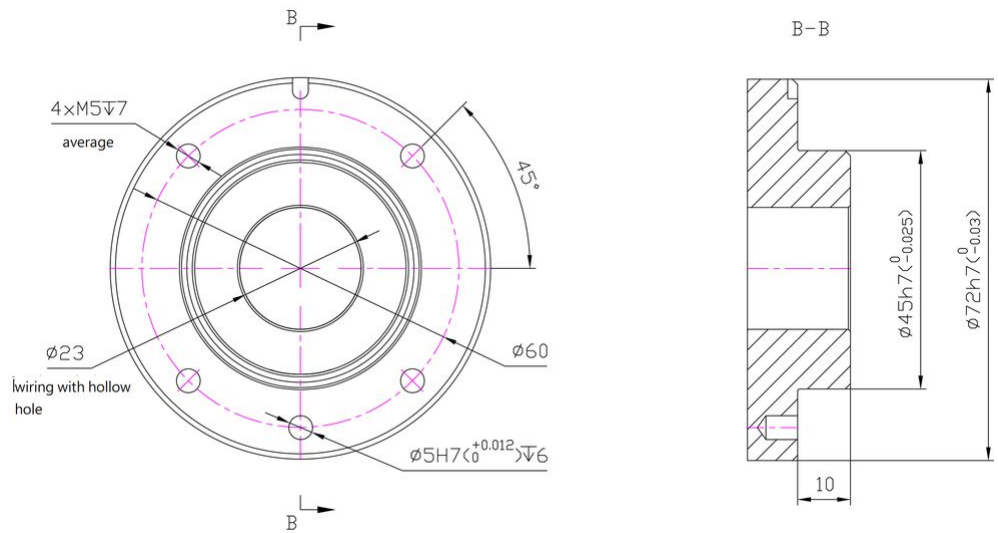
Reminder

In practice, consider the impact of installation on the workspace.

4.3 The flange

Instructions

Please make the robot end fixture by yourself according to actual needs and connect it to the output flange of the wrist. The size of the output flange is shown below. The strength of the fixed hexangular set screw is grade 12.9. The shape and size of the fixture installed on the output flange may affect the rotation range of the robot axes. Please pay attention to the interference area at the end of the fixture in the design.



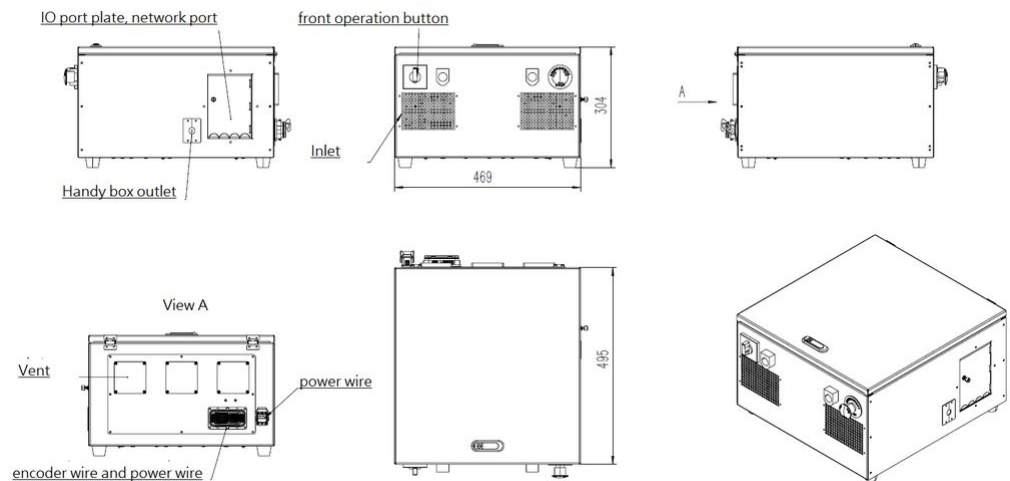
4.4 Electronic Control Box Specification

The standard specifications of the electric control box are listed below.

Electronic Box R1	
Entity diagram of electronic control box	
Corresponding Model	LA596, LA707, LA906, LA1206

Electronic Box R1	
Power Supply	Single-phase 200-230VAC, 50Hz/60Hz <ul style="list-style-type: none"> • LA596: 1.25KW/220V , 10.65A • LA707/906: 2.3KW/220V , 18.41A • LA1206: 2.8kW/220V , 18.45A
Input/Output Signals	16I/16O
Analog Input/Output*	0
Size	480mm x 500mm x 280mm
Weight (kg)	20
Remarks	*Optional

The dimensions of the electric control box are shown in the following figures.



SYNTEC

5 The installation

5.1 Environmental Conditions

Description

The working environment of the robot shall meet the following conditions:

Item	Conditions
Temperature	Work: 0°C~+45°C Store/transportation: -10°C~+55°C
Relative humidity	Usually under 75%RH (No frost) short term under 90%RH (in one month)
Allowable height	Altitude below 1000m
Allowable vibration	4.9m/s ² Under 0.5G
Circumstance	<ul style="list-style-type: none"> • Indoor installation • Avoid sunlight • Keep away from dust, fume, salt, iron filings, etc • Stay away from flammable, corrosive liquids and gases • Do not contact with water • Do not transmit shocks and vibrations • Stay away from electrical interference sources



Reminder

- At low temperatures (<10°C), the grease (or lubricating oil) in the reducer (or gearbox) is of high viscosity, which may cause shutdown or inefficient operation of the robot.
 - It is recommended that the robot preheat together with other equipment, and also suggested to preheat at a low speed.

It is not allowable to use under the following circumstances



Danger

- A Potentially explosive environment.
- A corrosive environment.
- A flammable environment.

- A radioactive environment.
- An environment without risk assessment.
- Used for the transportation of humans and animals.
- Operation uses non-allowed parameters.

5.2 On-site installation

5.2.1 Transportation

Description

When transporting, in principle should use a crane and other lifting equipment, in the absence of lifting equipment can also be considered by manual handling. The transportation of a device should be carried out by at least 2 people at the same time. It is necessary to pay attention to safety and handle the device lightly at the same time to avoid damage to the equipment and the surface of the robot.



Warning

The body of the R-series robot weighs is about 20-60kg. Be sure to use rings with M6×10 threads and hooks and ropes with a load of over 100kg. Sling or wire rope with protection is recommended to prevent the sling from damaging the body paint. Lifting a robot in any position other than the recommended position may cause the robot to tip over and cause serious damage or injury!



Warning

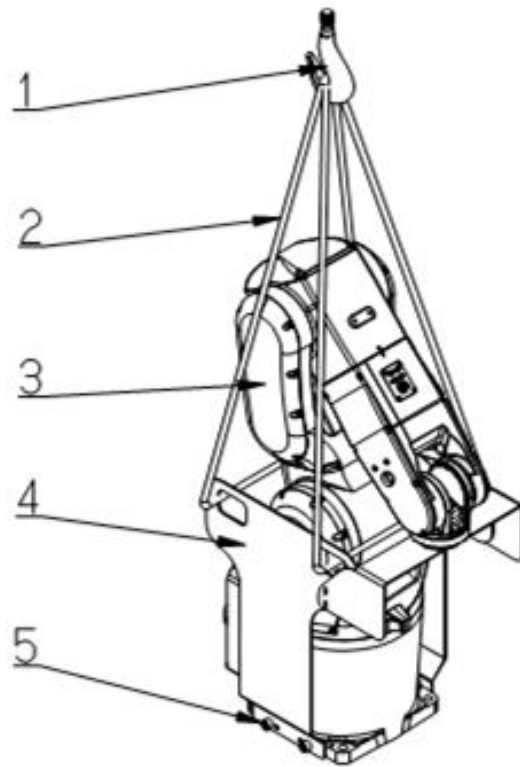
Under any circumstances, no person is allowed to be under the lifting robot.



Danger

Make sure to turn off all power, hydraulic, and air sources of the robot during transportation.

SYNTEC



1 Lifting Equipment 2 Sling 3 Lifting Limit Bracket 4 Lifting Bracket 5 Fixed Screw

5.2.2 Installation



Warning

Do not install or operate robots that are damaged or lack parts. Otherwise, accidents such as personal injury and equipment damage may occur.

After the setting is completed, be sure to remove the handling fixture before power on, or the drive part may be damaged.



Danger

It is necessary to set up a safety bar, or accidents such as personal injury and equipment damage may occur. Ensure that the safety bar is not inside the working area of the end of the robot and the fixture. Otherwise, accidents such as personal injury and equipment damage may occur.

When the robot is not fixed, it is prohibited to power on and operate, or accidents such as tipping, personal injury, and equipment damage may occur.

Safety Device

According to the safety protection device regulations: "When the industrial robot is running automatically, the operator is in danger of contacting the robot, so safety measures such as a protective bar to prevent the operator from approaching must be

provided."

In order to avoid equipment damage and personal injury of operators and surrounding personnel during the operation of the robot, the necessary safety devices must be installed. Safety devices mainly include safety bars, safety doors, safety pins and slots, and other protective equipment.

Installation Instructions

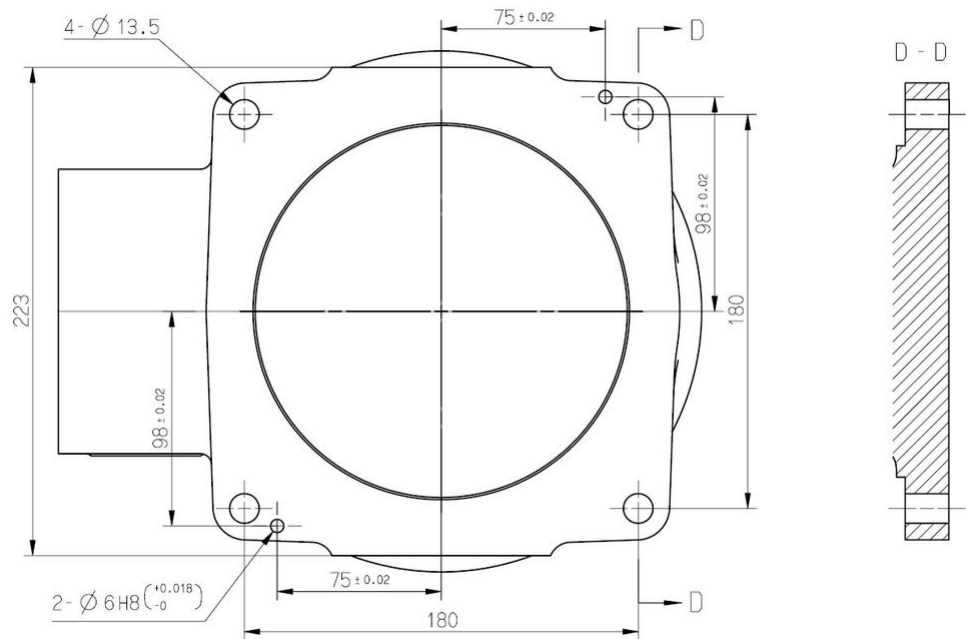
The installation of the robot is very important to its function. It is especially worth noting that the base and the foundation can withstand the dynamic load of the robot during acceleration and deceleration and the static weight of the robot and fixtures. In addition, if the mounting surface of the robot is not flat, the robot may deform and its performance may be affected.

When the robot accelerates or decelerates, a large reaction force will be generated in all directions of the base. Therefore, in the installation of the robot, the foundation must be able to bear the static load and the reaction force during acceleration and deceleration to ensure that the base of the robot is firm and does not move. Robot base by 2 - Φ 6 pin positioning (recommended with the convenient disassembly threaded cylindrical pin, GB/T 120.1 2000), And fasten it with 4-M12 screws (in order to prevent screw loosening, it must be used with flat pad and spring pad). See the table below for screw requirements.

Screw	M12×35
Quantity	4
Strength Level	12.9
Tightening torque	45±5Nm

Base hole size

SYNTEC



Reminder

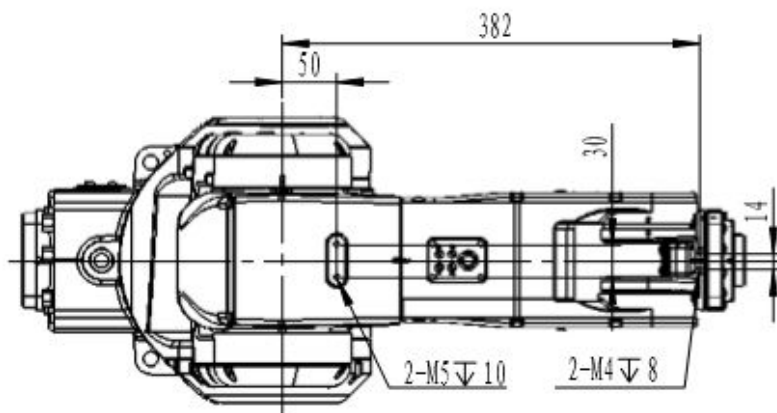
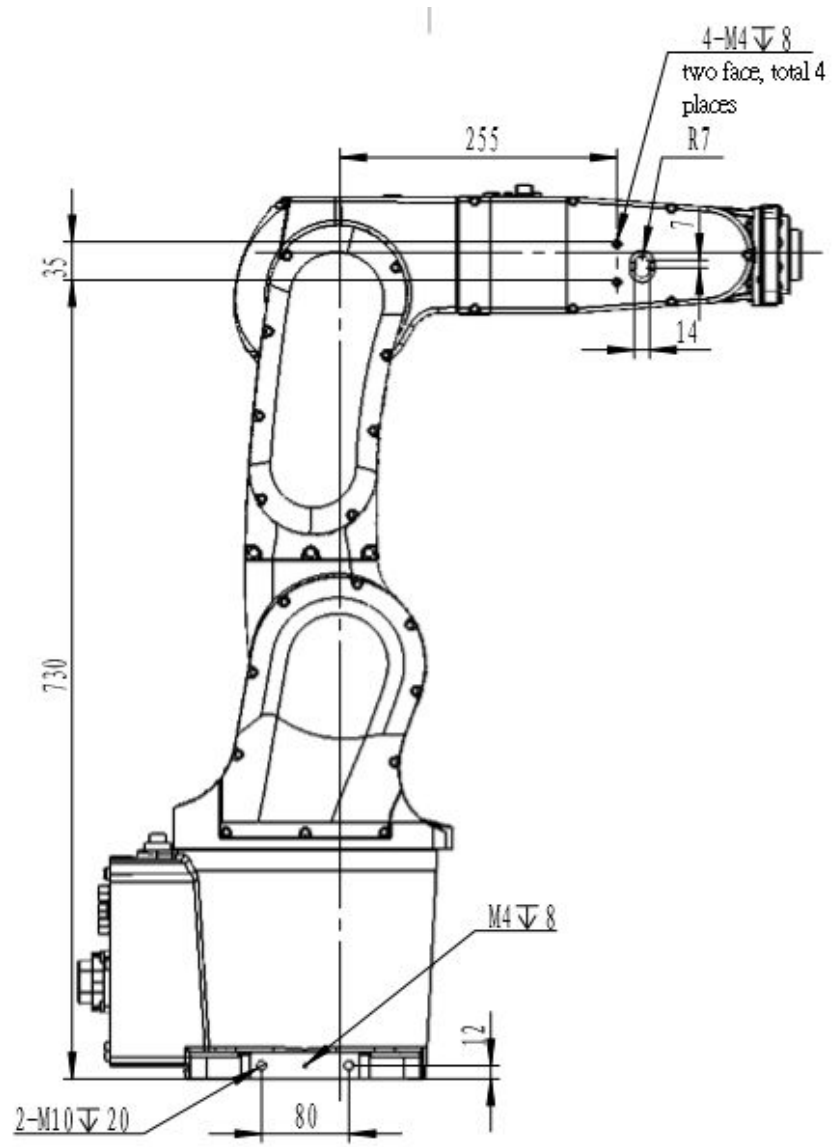
To avoid the deformation of the robot base during installation, please control the flatness of the installation panel within 0.2mm. In addition, the screw hole for the ground wire of the base is M4, and the ground wire connection method is shown in 4.3.3.

5.2.3 Mechanical interface

Mechanical interface

The LRA707-7-6H-R robot's wrist, upper arm, lower arm, and waist joints can add extra load. The installation interface is shown in the figure below. To ensure the service life of the thread, do not remove the interface mounting screw frequently. The total load of the wrist and forearm should not exceed 7kg. For example, if the wrist load is 5kg, the extra load on the forearm should be controlled within 2kg.





5.3 Electrical connections

5.3.1 Wiring connection



Warning

- Do not make mistakes on the connection when connecting the robot to the controller. If the wrong connection is made, not only will the robot system not be able to operate normally, but it may also cause security problems. Please refer to the controller manual for details.
- Only certified technicians or personnel should perform a wiring job. If the wiring job is performed by a person who does not have the relevant knowledge, it may result in injury or malfunction.



Beware of electric shocks

- Be sure to perform replacement work after turning off the controller and related equipment and unplugging the power plug. If you work with the power on, it may cause electrical shock or malfunction.
- Be sure to connect the AC power cable to the power plug. Do not connect directly to the plant power supply. Turn off the power to the robot system by unplugging it. AC power cables are extremely dangerous to operate when connected to factory power and may cause electrical shock and/or robot system failure
- Be careful not to forcibly bend the cable, etc. to avoid applying the load to the cable. In addition, do not place heavy objects on the cable, forcibly bend or pull the cable. Otherwise, it may cause cable damage, disconnection, or poor contact, resulting in electrical shock or abnormal system operation.
- Before wiring, turn off the power supply of the controller and related devices and put on a warning sign (e.g. never switch on the power). Wiring while energized is extremely dangerous and may cause electrical shock and/or robotic system failure.

5.3.2 Grounding Instructions

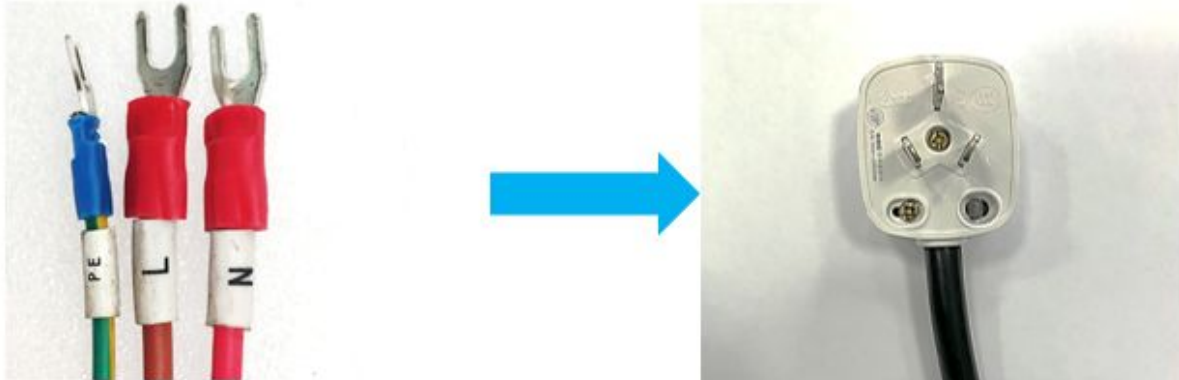
1.Robot main body grounding:

Need to grounding by user. The user grounding the robot by terminal based on on-site actual situation and space position situation.

2.electrical cabinet grounding:

SYNTEC

electrical cabinet grounding wire 220V



R series electrical cabinet power wire is three-core cable, which is L/N/PE;

L/N : neutral wire/live wire (single phase 220V) PE: ground wire

R series electrical cabinet standard optional with three hole plug. Simply insert the plug into the three-hole socket during use. (Note: Three-hole socket needs to be grounded)

5.3.3 User Wiring

Wiring



Warning

Only certified operators or personnel should perform a wiring job. If the wiring job is performed by a person who does not have the relevant knowledge, it may result in injury or malfunction.

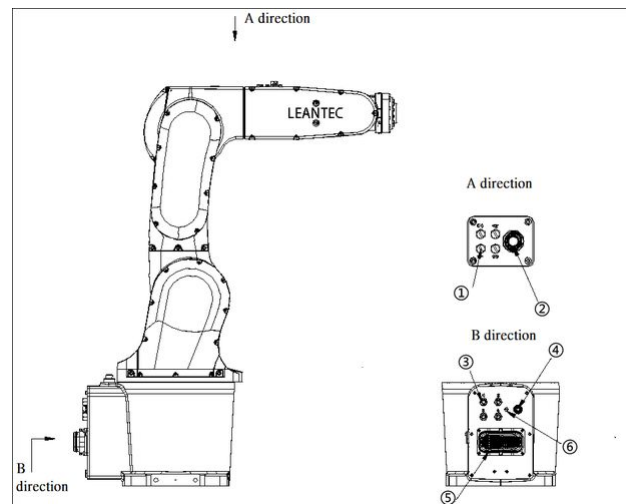


Danger

- The ground terminal must be connected to the ground pole (5.5mm² diameter or above is recommended), otherwise, fire and electric shock may occur.
- Before wiring, turn off the power supply of the controller and related devices and pull up the warning sign (e.g., never switch on the power). Wiring while the power is on is extremely dangerous and may cause electric shock and/or malfunction of the robotic system failure.

For user wiring, please refer to the position of each pipeline-interface in the figure below. The specifications of the IO cable plug and air hose are shown in the table below. When using, please replace the M5 screw plug in the view A with an M5 threaded air pipe connector (recommended to use the KQ2S04-M5A quick-change connector of SMC); when connecting the air pipe to the B direction, please remove the plug first, and then install the Rc1/8 air pipe connector (It is recommended to use KQ2H04-01S straight-through connector of SMC). When using the IP67 enhanced function, you need to enable

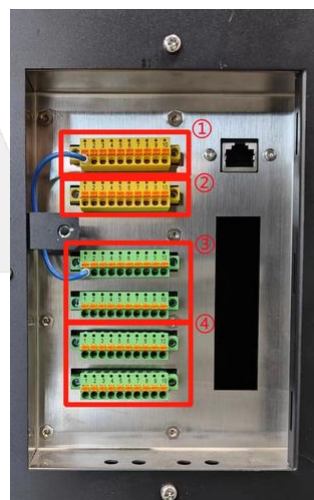
the reserved start interface and use the air source processing component. For details, please contact Leantec.



- ①: 4-M5 screw plug
- ②: IO plug
- ③: 4-pneumatic connections (RC1/8)
- ④: IO plug
- ⑤: cable plug
- ⑥: M5 screw hole (IP67 for strength function)

5.3.4 IO Wiring Definition

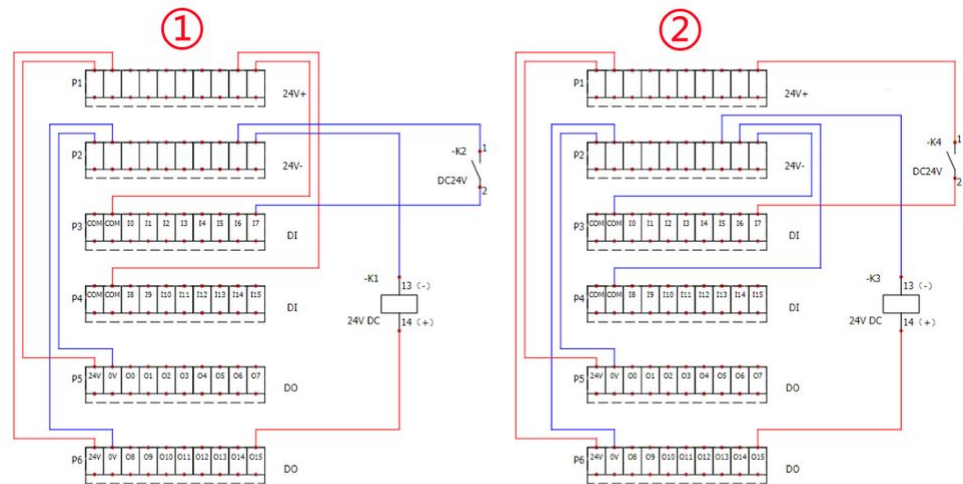
The IO connection method of the electric cabinet of the R-series arm is to transfer 16 I points and 16 O points to the side panel of the electric cabinet. The sheet metal opening is provided with 4 rows of IO external interfaces and two rows of COM port interfaces. The top row is the 24V COM port and the bottom row is the 0V COM port, as shown in the figure below:



Notice: ①: 24V common ground ; ②: 0V common ground ; ③: two COM port and 16 I point ; ④: The first two are 24V and 0V respectively, and the rear is 16 O-points.

The I-board module has two connection methods, one is the PNP connection method, the COM port on the I-board is connected to the power supply 0V, 16 DI ports receive high-level signals as valid signals; the other connection method is NPN connection. The COM port on the I-board is connected to the power supply 24V, and 16 DI ports receive low-level signals as valid signals;

Customers can choose the appropriate connection method according to the type of sensor they use. The outgoing connection method of Leantec is NPN connection method;



Note:

Picture ① is NPN wiring method; Picture ② is PNP wiring method;

If you want to replace the PNP connection method, in addition to replacing 24V with 0V to connect to the common point of the I board, you also need to pay attention to the I15 port of the R series of cabinet emergency stop button, so you also need to change the 0V interface of the emergency stop to a 24V interface (NPN low level is valid, PNP high level is valid) as shown in the following figure:





5.4 Function test

5.4.1 Check before Power-on

Before powering on, check if the installation environment meets the environmental conditions in chapter 4.1. The items include: Check whether the robot body is firmly fixed, whether the aviation plug of the power cable and the encoder cable is firmly inserted, whether the wiring terminals in the electric cabinet are inserted firmly, and whether the single-phase voltage of the main power cable in the electric cabinet is 220V and the ground wire is connected firmly.

5.4.2 Power-on abnormality check

Power on the electric cabinet after the power-on check. Observe whether there is an abnormal alarm in the teach pendant controller. When the emergency stop is pressed, the teach pendant controller will display the alarm R44.0. If there are other abnormal alarms, please contact Leantec engineers for analysis and solution.

5.4.3 Check the Mastering position, each axis direction, and soft limit of the robot

JOG each joint according to the direction shown in the figure and check whether the direction of each axis is correct. If the graphic direction is opposite to the actual direction, you can adjust the direction of each axis by modifying parameters 0 or 1 of parameters Pr41~Pr46. Check if the zero point position of each axis is consistent with the zero point label. If not, reset the zero point of axes base on the zero point label and check the positive and negative software position limit of each axis.

5.4.4 Test procedure of Automatic Mode

Automatically run a random test program, and listen to the robot to see if there is any abnormal noise. If there is abnormal noise, stop the robot and test each joint motion separately. The normal joint motion is smooth, no stutter, and the sound fluctuation is small. After confirming the abnormal joint, please contact Leantec engineers for assistance. At this point, the robot is checked before use.



SYNTEC

6 Maintenance

6.1 About safety during maintenance

Instruction



Warning

- Please strictly follow the maintenance steps and do not disassemble robot parts.
- Maintenance operations should be performed by designated professionals.
- If not trained, stay away from the robot when the power is switched on. Also, do not enter the working area. Even if the robot appears to have stopped moving, a robot in an energized state may still act accidentally and pose a serious safety problem.
- Be sure to confirm the robot action after the replacement of the component outside the safety fence. Otherwise, the robot before action confirmation may perform unexpected actions and may cause serious safety problems.
- Before entering normal operation, please confirm that the emergency stop switch and safety guard switch operate normally. If the switch cannot be operated normally, it will be unable to perform the safety function in case of an emergency, which may lead to serious injury or significant damage, which is very dangerous.



Beware of electric shock

Maintenance, replacement, and wiring must be carried out after the power supply of the controller and related devices are turned off and the power plug is unplugged. Otherwise, power contactor failure may occur.

Notice during maintenance



Danger

- If you need to perform maintenance procedures other than those specified by LEANTEC, please contact our company.
- If you need to replace parts not specified by LEANTEC, please contact our company.
- Be sure to perform regular maintenance, otherwise, it will affect the life of the robot or cause other unexpected dangers.
- Before performing overhaul and maintenance, please turn off all power supplies.
- Maintenance or overhaul must be carried out by qualified personnel and with a clear understanding of the installation procedures of the entire system and other possible risks.
- When replacing parts, please avoid other foreign material from entering the robot.

6.2 Troubleshooting

Instruction

When the robot breaks down, please do not continue to operate. You should immediately contact the technician who has received the required training to carry out the failure analysis and determine which part is abnormal.

If you need to replace parts, please contact our company's service department, do not disassemble the robot at will.

6.3 Maintenance plan

Instruction

In order for the robot to maintain high performance for a long time, it must be maintained regularly. Maintenance personnel shall compile maintenance plans and strictly implement them.

In addition, the overhaul must be carried out every 20,000 hours or within a shorter period of 4 years. If you have any questions, please contact our after-sales service department.

6.3.1 Check interval

Inspection instructions

Regular maintenance can prevent failures and improve durability and safety. In order to enable the robot to maintain high-efficiency performance for a long time, regular maintenance must be carried out. Maintenance personnel must prepare inspection and maintenance plans and strictly implement them.

The maintenance can be divided into various stages as shown in the following table and the necessary maintenance items in each stage.

For the setting of the maintenance interval time, please calculate according to the servo power-on time.

The maintenance time in the following table is based on the arc welding operation. For other purposes or special conditions, it is necessary to analyze it separately before making a conclusion. Pay attention to the need to shorten the maintenance interval for high-frequency operations such as handling operations.

The maintenance cycle of the robot can be divided into daily, 1,000 hours, 5,000 hours, 12,000 hours, and 24,000 hours. The details are as follows :

Mainten ance Cycle	Inspection and Maintenance Content	Remarks
Daily	Mastering position marking	Same as robot Mastering position

Mainten ance Cycle	Inspection and Maintenance Content	Remarks
	Abnormal noise and vibration	
	The function of the motor brake	Listen to the sound of each motor when releasing the brake
	Oil leaking inspection	Check the installation surface of each reducer
	Externally visible screws	Fixing screws on a robot arm body
1000 hr	Screw bolt of the robot base	
	External cable	Check the condition of the cable (cleanliness, damage, etc.)
5000 hr	Remove dust and debris	Especially the ventilation cooling system and electrical box
	Timing belt	Inspect the timing belt condition (Tension, wears down, etc.)
12000 hr	Battery replacement of Robot	Replace the battery when the battery low voltage alarm pop out during the startup of the system or every year
	Checking internal cable	Port connectivity, Wear of metal contact parts
	Surrounding screws of the axis	
	Screws for motors, reducers, etc.	
24000 hr	Internal cable	Replace



6.3.2 Tightening of hexagon socket screws

Tighten instructions

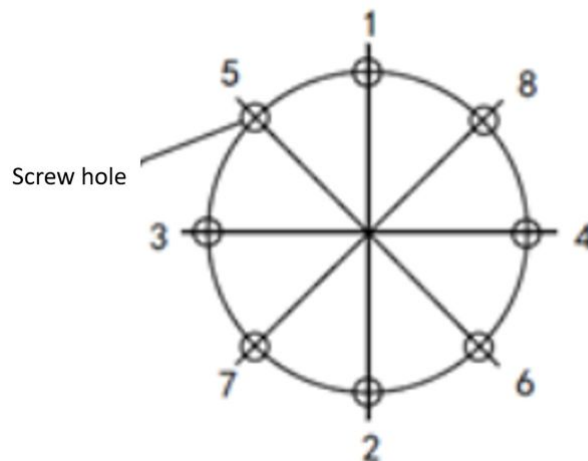
Use hexagon socket head screws (hereinafter referred to as screws, class 12.9) where connection strength is required. When assembling, tighten the screws according to the fastening torque shown in the following table. Unless specified, when refastening these screws in the operations described in this manual, use a torque wrench to tighten the screws by the tightening torque values shown in the table below.

S/N	Hex cylinder head screw	Torque (N·m)
1	M2	0.5
2	M3	2
3	M4	4
4	M5	9
5	M6	15
6	M8	35
7	M10	70
8	M12	125

Please refer to the following table for the torque of the set screw used in belt pulley installation:

S/N	Hex cylinder head screw	Torque (N·m)
1	M4	2
2	M5	3.9

It is recommended to fasten the screws on the circumference in diagonal order as shown in the figure below. Use a hexagon wrench to loosely tighten it 2~3 times and then use a torque wrench to tighten it according to the tightening torque value as shown in the table above.



6.4 The maintenance of synchronous belt

Reminder



Reminder

Synchronous belt adjustment and maintenance require professional staff to use professional tools to operate, after the replacement of the robot to zero calibration! If you have any problem during the adjustment, please call us!

LRA707-7-6H-R Robot 2, 3, 4, 5, and 6 axis should be used in synchronous belt transmission, loose when may lead to abnormal sound, precision decline, such as fault, so for every six months inspection on synchronous belt, prevent synchronous belt loose lead to failure.

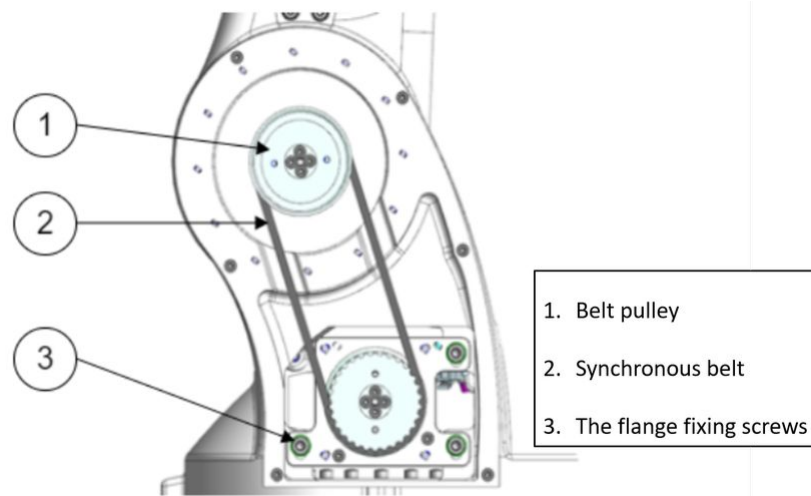
6.4.1 2nd-axis synchronous belt maintenance

Instruction

Remove the left cover of the waist and measure the tension of the belt with a belt tension meter. The standard tension of the timing belt is between $55 \pm 6\text{N}$ (If the operation time is over 20 hours, please install 70% of the recommended standard value of tension to adjust it). If the measurement result is not within this range, adjust according to the following steps:

- Loosen the flange fixing screw (3 M5 in total, loosen until the belt wheel can move freely).
- Tighten the belt and measure the tension of the belt until the tension reaches the design requirements.
- Tighten the flange fixing screw (tightening torque: see "**Tightening of hexagon socket screw**").
- Remove tensioning screws and tool screws.
- Install waist right cover.

If the synchronous belt is found to be damaged, please replace it in time. After the replacement, zero calibration of the robot shall be performed again.



6.4.2 3rd-axis synchronous belt maintenance

Instruction

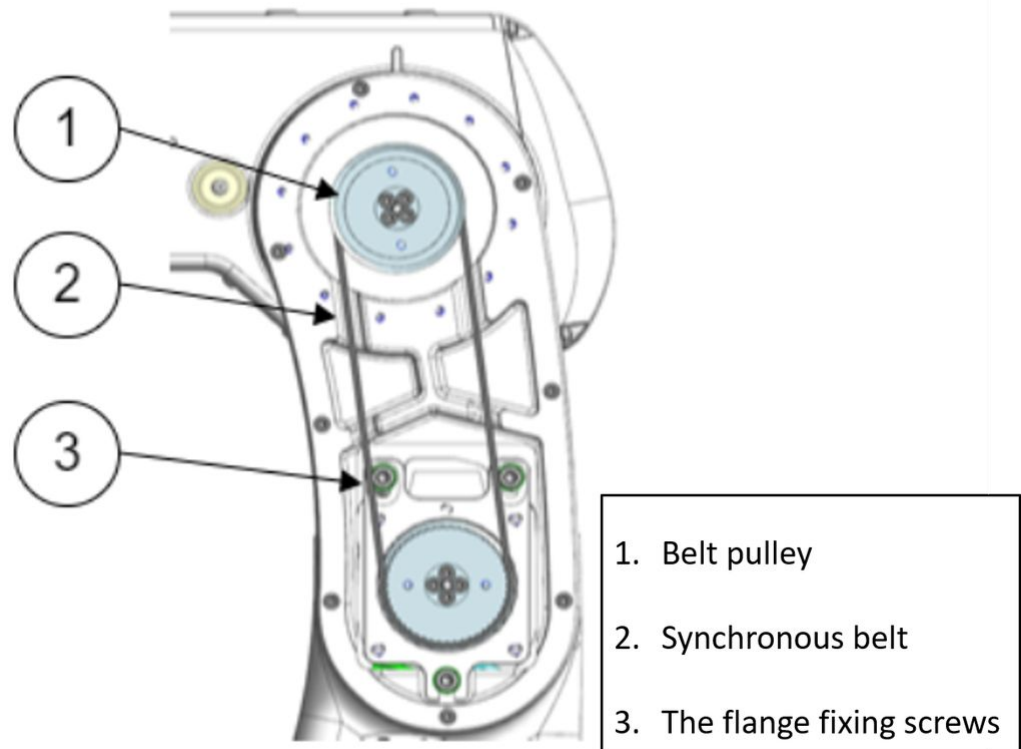
Remove the right cover of the upper arm and measure the tension of the belt with a belt tension meter.

The standard tension of the timing belt is between $44 \pm 5\text{N}$ (If the operation time is over 20 hours, please install 70% of the recommended standard value of tension to adjust it). If the measurement result is not within this range, adjust according to the following steps:

- Loosen the flange fixing screw (3 M4 in total, loosen until the belt wheel can move freely).
- Tighten the belt and measure the tension of the belt until the tension reaches the design requirements.
- Tighten the flange fixing screw (tightening torque: see "Tightening of hexagon socket screw").
- Remove tensioning screws and tool screws.
- Install upper arm right cover.

Note: For products with IP67 protection grade, it is necessary to clean the residual glue off the right arm cover and install the right arm cover after using the new sealant between the cover plate and body.

If the synchronous belt is found to be damaged, please replace it in time. After the replacement, zero calibration of the robot shall be performed again.



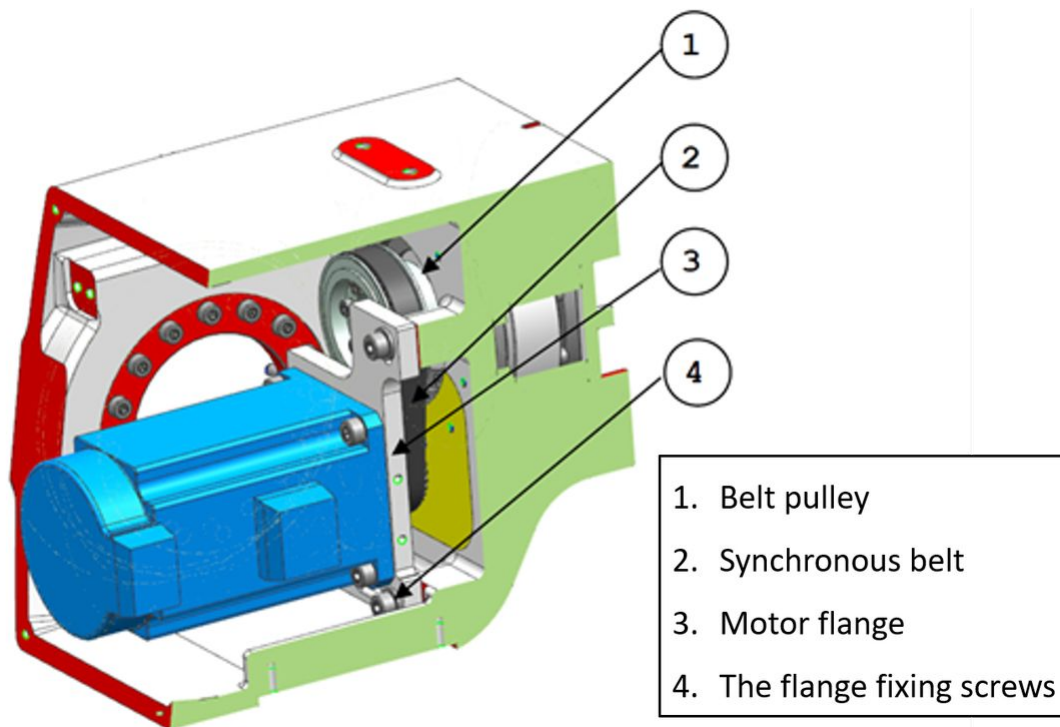
6.4.3 4th axis synchronous belt maintenance

Remove the small cover at the lower part of the forearm, and measure the tension of the belt with a belt tension meter.

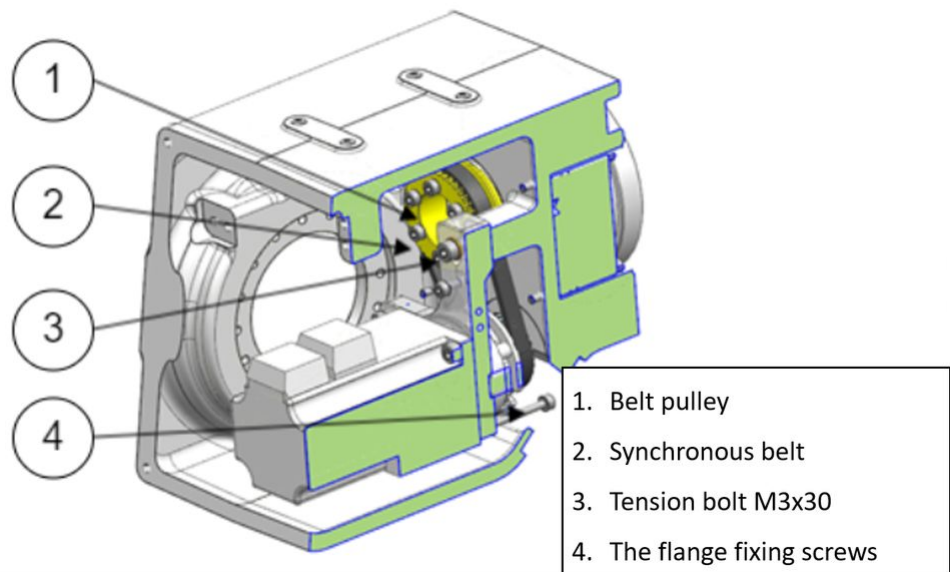
The standard tension of the synchronous belt is $20 \pm 2\text{N}$ (the tension of the synchronous belt will drop to 70% of the recommended value after 20 hours of operation. At this time, please adjust the tension by 70% of the recommended value). If the measurement result is not within this range, adjust according to the following steps:

- Loosen the flange fixing screws (3 in total, so that the pulley can move freely);
- Use a spring balance (maximum tension 200N) to tighten the motor flange tensioning screws (the lower end of the flange has M3 screw mounting holes), and adjust the tension to the specified value;
- Tighten the flange fixing screws (see "5.2.2 Tightening of Hexagon Socket Screws" for the tightening torque);
- Install the small cover;

Note: For products with IP67 protection grade, it is necessary to clean the residual glue of the right arm cover and install the small cover after using the new sealant between the cover plate and body.



If the synchronous belt is found to be damaged, please replace it in time. After the replacement, zero calibration of the robot shall be performed again



6.4.4 5/6th axis synchronous belt maintenance

Instruction

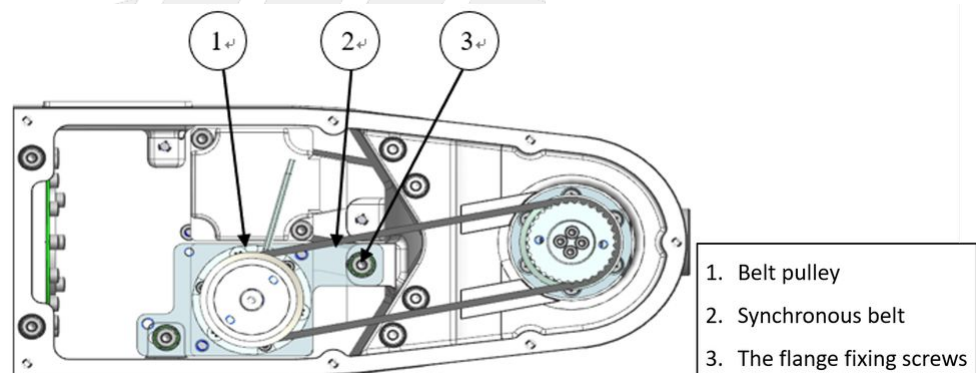
Remove the front cover of the forearm and measure the tension of the belt with a belt tension meter.

The standard tension of the timing belt is between $20 \pm 2\text{N}$ (If the operation time is over 20 hours, please install 70% of the recommended standard value of tension to adjust it). If the measurement result is not within this range, adjust according to the following steps:

- Loosen the flange fixing screw (2 in total, loosen until the belt wheel can move freely).
- Tighten the flange fixing screw (tightening torque: see "**Tightening of hexagon socket screw**").
- Install upper arm right cover.

If the synchronous belt is found to be damaged, please replace it in time. After the replacement, zero calibration of the robot shall be performed again.

The structure of the 5th-axis and 6th-axis pulley is the same, so the maintenance of the 6th-axis pulley can refer to the 5th-axis.



6.5 Battery Change Description

Description:

The robot body battery is for preservation of each axis encoder data. Hence, the battery needs to change every 1000 hours. When the battery voltage decrease alarm appears, allow the user change battery. If not change in time, you may lost the original point position.


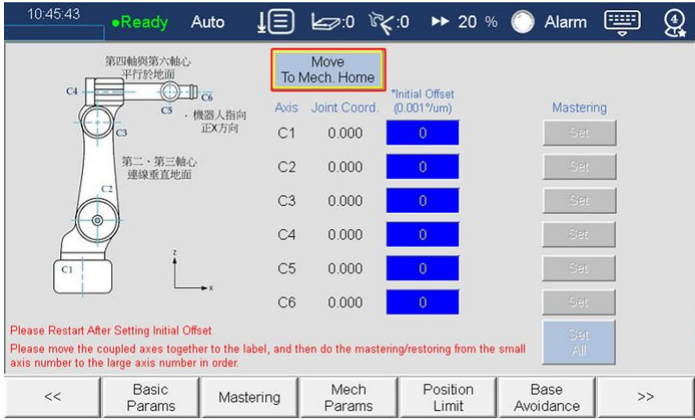


The specific steps as follow:

1. Back zero change battery:

- a. Before change the battery, start the robot and drive the robot to the zero point; back zero operation: After start the robot, the controller would stay at "ready" "permission 4" "teaching" status. Open the controller "setting"-"mechanical arm"----"original point setting" and enter "original point setting" page. Long press teaching pendent back "safety switch" and

press "return mechanical point" button to robot motion back zero point position;

b. Cut power. Remove robot "reload connector lower cover".

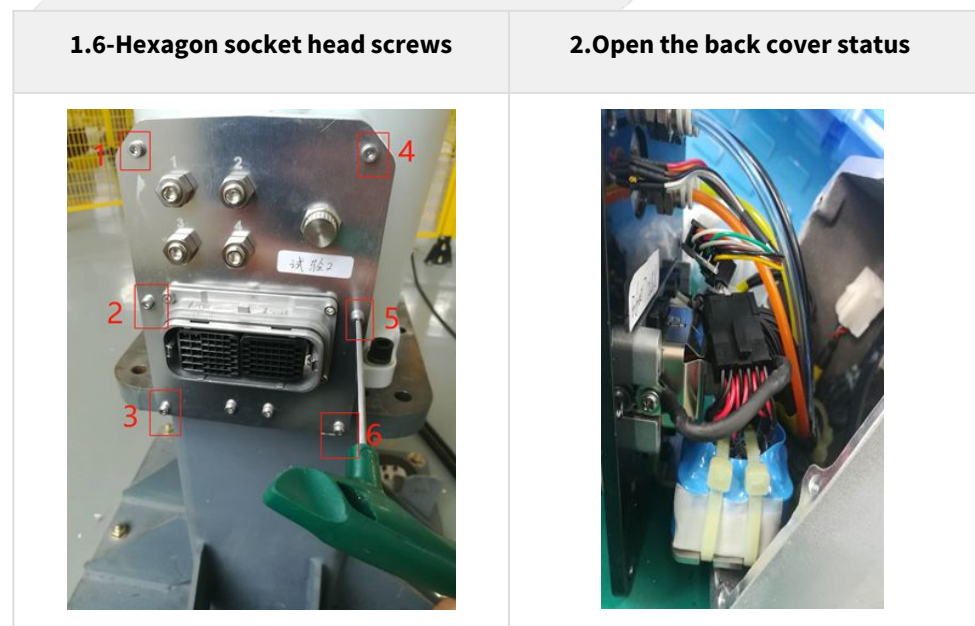
<p>1. Click setting in "ready" "permission 4" "teaching" status</p>	<p>2.Original point setting page</p>																												
	 <table border="1" data-bbox="997 705 1189 929"> <thead> <tr> <th>Axis</th> <th>Joint Coord.</th> <th>*Initial Offset (0.001μm)</th> <th>Mastering</th> </tr> </thead> <tbody> <tr> <td>C1</td> <td>0.000</td> <td>0</td> <td>Set</td> </tr> <tr> <td>C2</td> <td>0.000</td> <td>0</td> <td>Set</td> </tr> <tr> <td>C3</td> <td>0.000</td> <td>0</td> <td>Set</td> </tr> <tr> <td>C4</td> <td>0.000</td> <td>0</td> <td>Set</td> </tr> <tr> <td>C5</td> <td>0.000</td> <td>0</td> <td>Set</td> </tr> <tr> <td>C6</td> <td>0.000</td> <td>0</td> <td>Set</td> </tr> </tbody> </table> <p><small>Please Restart After Setting Initial Offset Please move the coupled axes together to the label, and then do the mastering/restoring from the small axis number to the large axis number in order.</small></p>	Axis	Joint Coord.	*Initial Offset (0.001 μ m)	Mastering	C1	0.000	0	Set	C2	0.000	0	Set	C3	0.000	0	Set	C4	0.000	0	Set	C5	0.000	0	Set	C6	0.000	0	Set
Axis	Joint Coord.	*Initial Offset (0.001 μ m)	Mastering																										
C1	0.000	0	Set																										
C2	0.000	0	Set																										
C3	0.000	0	Set																										
C4	0.000	0	Set																										
C5	0.000	0	Set																										
C6	0.000	0	Set																										
<p>3.Reload connector lower cover</p>	<p>4.Status after remove</p>																												
																													

2.Remove battery box

- a. Loosening robot back cover screw "6-hexagon screw". Open the back cover. Notice: do not pull out the back cover. Slightly open is sufficient;
- b. Shake the electrical installation plate. Move the body wiring harness forwardly for 50mm-100mm. Show the battery package part. Unplug black 12 pins plug. Use a pair of diagonal cutters to cut off the 2 fixed matting straps on the battery pack.

3. Install battery box

- a. Fix the new battery box to the position and secure the new battery pack with a matting strap;
- b. Re-plug black 12 pins plug. Aware the direction and fix the electrical installation plate;
- c. Attach the back cover to the base and fasten with "6-hexagonal screws";



4. Power on test

- a. Connect robot "reload connector lower cover" and power on;
- b. Power up to start, report the encoder battery voltage is too low position loss alarm, power off to restart.
- c. After restarting, the system reports that all 6 axes have not calibrated home position, because the robot has already returned to the home position before replacing the batteries, you can calibrate the home position of 6 axes with one key.

5. Record zero point method: After changing the battery, when the robot is not running after the power is turned on,

- a. Let the controller stay at "ready" "permission 4" "teaching" status. Open "setting"-"original point setting" page, click "all axis calibration original point" (you could calibrate the original point one by one.)
- b. After confirming the completion of the zero point record, long press the "safety switch" on the back of the controller and then press the "return to the

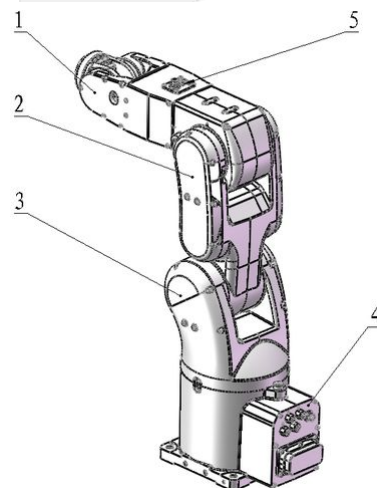
origin of the machine" button, if the robot does not run, that is, the position of the robot at this moment is the zero point state of the robot.

c. After the successful calibration of the home position, the alarm is eliminated, no alarm, simple manual movement of the robot is no problem, no alarm information on the viewer, release the emergency stop, manual mode to enable the readiness to test the six axes of the movement is normal, no alarm, the process of replacing the battery board is over.

6.6 Waterproof Sealant Instructions

6.6.1 Corresponding Model

R-series with IP67 protection grade, In the maintenance or repair of the robot, the cover of the robot body and the rear tailstock are disassembled, to maintain its IP67 protection performance, it is necessary to use a flat sealant for sealing; the description of the seal is shown in the following figure:



1- When maintaining 5, 6-axis synchronous belt or repairing components, you need to disassemble the left and right covers here, and apply sealant when installing;

2- When maintaining the 3-axis synchronous belt or repairing components, you need to disassemble the left and right covers here, and apply sealant when installing;

3- When maintaining the 2-axis synchronous belt or repairing components, you need to disassemble the left and right covers here, and apply sealant when installing;

4- The rear tailstock needs to be disassembled when replacing the battery with the robot, and sealant should be applied when installing;

5- This cover must be disassembled when repairing and maintaining the air pipe, joints, and signal line interfaces, and sealant should be applied during installation

6.6.2 Model of sealant

LEANTEC Automation R series robot cover and tailstock seals recommend using two models of sealants "TONSAN 1596" and "ThreeBond 1211" to solve the problem of sealing and waterproofing. The sealant parameters are shown in the following table:

	TONSAN 1596	ThreeBond 1211	Note
Tack-free time (min)	5-20	90	
Tensile Strength (MPa)	1.8	1	(GB/T528) After soaking in 5W30 engine oil at 150°C for 100h
Operating temperature (°C)	-54~260	-60~200	
Elongation at break (%)	300	230	(GB/T528) After soaking in 5W30 engine oil at 150°C for 100h
main component	Silicone Rubber	silicone resin	
Color	Gray	White	

6.6.3 Usage and precautions

Use the cover plate and rear tailstock at the forearm of the robotic arm as an example. The rest of the cover plate can be operated in the same way.

1. Connect the tapered hose to the waterproof sealant (used to ensure that the sealant is squeezed and applied evenly);



2. Apply the waterproof sealant evenly to the connection position of the cover and the tailstock to ensure that the contact surface with the body connection is completely closed and there should be no disconnection or leakage in the middle;



3. Coat all threaded holes for connection with a waterproof sealant to ensure complete sealing and achieve waterproof effect;



4. If there is a countersunk screw on the connecting surface of the robot body side, it needs to be completely filled with sealant to prevent water from penetrating into the inside of the arm, as shown in the following figure:

SYNTEC



⚠ Precautions

After applying the sealant, you should directly connect and lock to ensure that the product is completely sealed. To make the product have good sealing performance, it is recommended that the waiting time is much longer than the surface drying time of the product for more than 3 hours. It is not allowed to operate automatically or manually during the process.

SYNTEC

7 Zero Point

7.1 About mechanical home

What is a mechanical home

The robot is designed with an initial orientation defined in advance, under which the angle of each joint is 0. From a mechanical point of view, the zero position refers to the orientation when a particular angle is formed between adjacent links. From the perspective of software angular, since the robot uses an encoder to record joint angles, the zero position refers to the robot's orientation when the servo motor rotates to a specific encoder value.

So mechanical home can actually be interpreted in two ways. From the perspective of the observer, the mechanical home is the robot orientation corresponding to the movement of each joint of the robot to a specific position. From the point of view of the control system, the mechanical zero is the value of several encoders. Zero is the reference point of the robot coordinate system. Without zero, the robot cannot judge its own position. Therefore, in order to obtain the highest absolute positioning accuracy, the robot must be mastered to make the mechanical home and theoretical home as close as possible.

Under what circumstances should the mechanical home be calibrated

In general, it is necessary to remaster under the following circumstances:

- After the replacement of the motor, synchronous belt, reducer, and other mechanical system parts.
- After a violent collision with a workpiece or environment.
- Manually move robot joints without control of the controller.
- Reinstall the entire system.
- Encoder battery after discharge.

7.2 Zero point calibration

Instruction

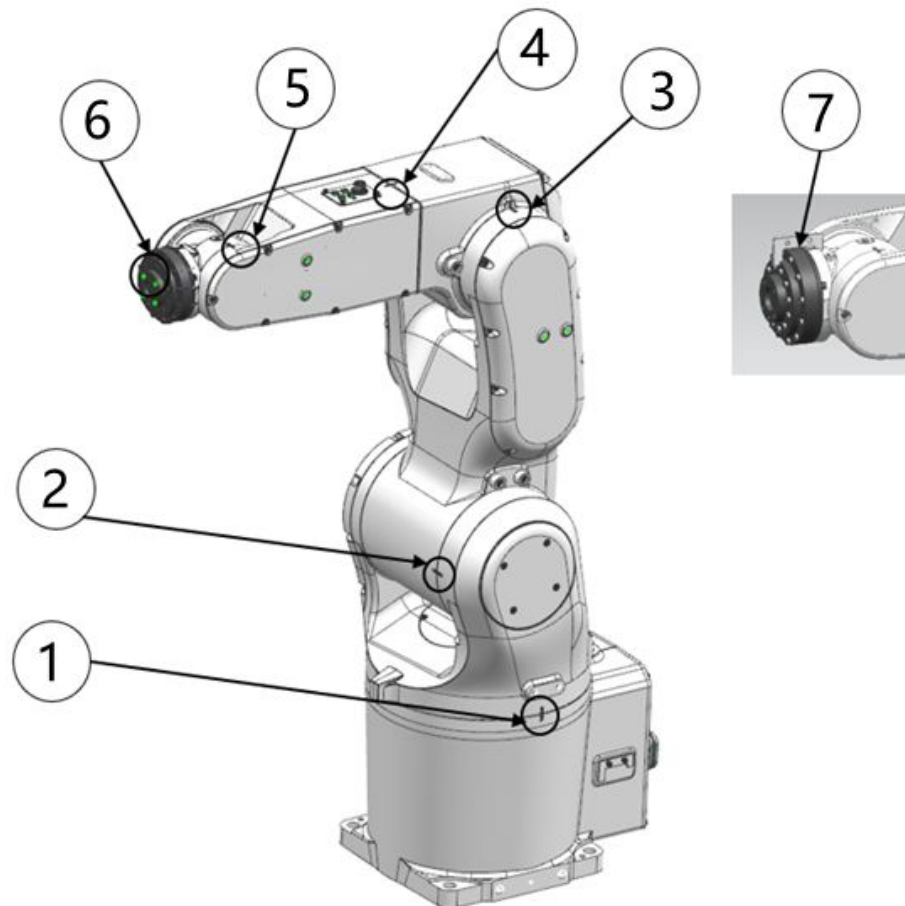
The purpose of mastering is to make the theoretical zero of the control algorithm coincide with the actual mechanical home so that the mechanical connecting rod system can correctly respond to the position and speed instructions of the control system.

More generally speaking, mastering is a process in which each joint of the robot is rotated to a specific angle by using some pre-designed positioning devices on the mechanical body, and the control system is informed to record the numerical values of the motor encoder of each joint at this time.

All joints of LRA707-7-6H-R series robots are calibrated by key-code plate, and only one axis can be calibrated at a time. During the calibration, the corresponding joint shall be slowly rotated until the two grooves coincide and a special calibration key shall be

inserted (or the standard 3mm wide flat key can be used instead). At this time, the position shall be the zero point position of the axis.

For the six axes, special tools are used to calibrate the zero points as shown in the figure below when leaving the factory. If the user has a high requirement on the path trajectory accuracy and needs to accurately calibrate the zero point of the six-axis, it is suggested that the user leave a keyway of $3(+0.01,+0.03)$ mm in the end tool flange for use with the standard zero calibration block

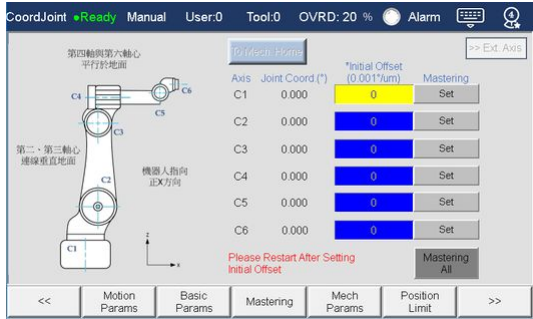


- ①: A1 axis calibration groove
- ②: A2 axis calibration groove
- ③: A3 axis calibration groove
- ④: A4 axis calibration groove
- ⑤: A5 axis calibration groove
- ⑥: A6 axis calibration groove
- ⑦: calibration piece

SYNTEC

7.3 Calibration steps

Calibration steps

	Operate	Description
1	Log in to the system with users above the Expert level and enter the zero-point calibration interface.	<p>Zero calibration can only be done in manual mode with no program running.</p> <p>The zero calibration interface is located in the "calibration" classification.</p> 
2	In joint coordinate jog mode, please calibrate the robot starting from axis 1.	Different robots have different mastering calibration tool. Please refer to the manual for the corresponding robot.
3	When the corresponding axis moves to the zero position, click the "calibration" button of the corresponding joint on the HMI to complete the calibration of the joint, and then move on to the next joint.	It is recommended to wait for the calibration of the previous joint to be completed before calibrating the "calibration" button of the next joint.
4	Repeat step 3 until all joints of the robot have been calibrated.	



8 Appendix

8.1 Appendix 1: IP67 Reinforcement Kit Installation

8.1.1 1.1 Corresponding Model

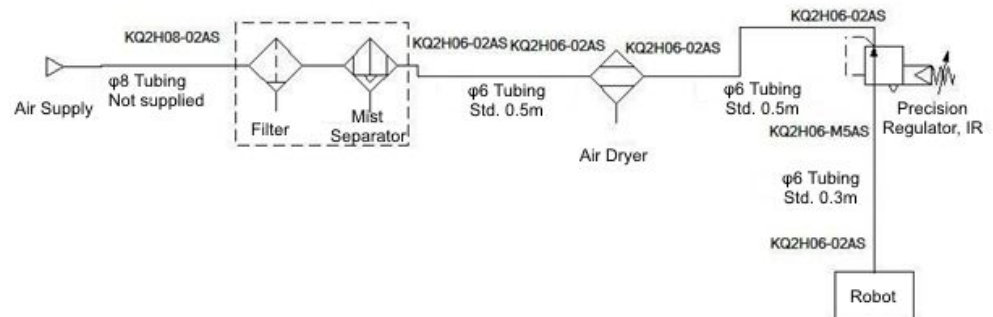
R-series with IP67 protection grade

8.1.2 1.2 Part List

The IP67 reinforcement kit contains the following components. The user must provide air supply (air pressure between 0.3 and 0.85 MPa) and install the IP67 reinforcement kit in a suitable place.

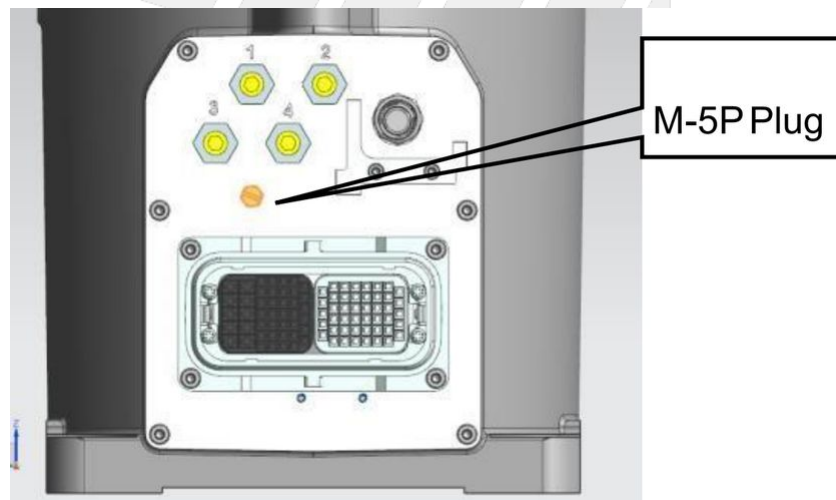
Item	Name	Model	Qty.	Remark
1	Membrane Pneumatic Air Dryer	IDG1	1	
2	Precision Regulator	IR2000	1	
3	Mist Separator	AFM20	1	
4	Spacer with Bracket	Y200T-A	1	For user installation
5	Filter	AF20	1	
6	Connector	KQ2H06-02AS	5	Rc1/4
7	Connector	KQ2H08-02AS	1	for $\phi 8$ air supply
8	Connector	KQ2H06-M5A	1	M5 male thread. Install on robot
9	Tubing	TU0604BU-100	5	5 meter long $\phi 6$ tubing

8.1.3 1.3 Pneumatic Wiring Schematic



8.1.4 1.4 Installation Procedure

1. Connect air supply (φ8 tubing) to the filter of IP67 reinforcement kit
2. Turn on air supply, and adjust the precision regulator to maintain the pressure between 0.03 ± 0.01 MPa
3. Remove the M-5P plug from the robot base and install KQ2H06-M5A connector
4. Connect IP67 reinforcement kit to KQ2H06-M5A connector through φ6 tubing
5. Re-adjust the precision regulator to maintain the pressure between 0.03 ± 0.01 MPa
6. Complete. The robot is now ready for use

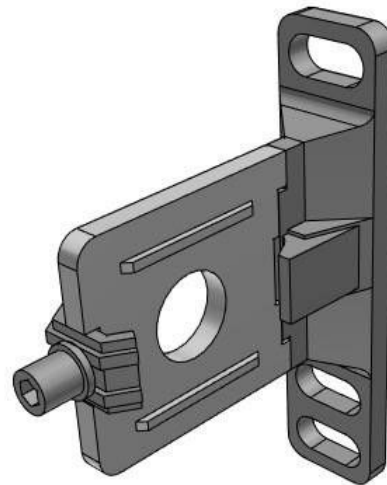
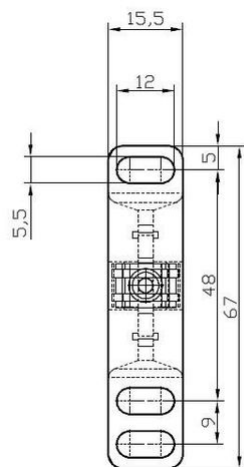


Hint

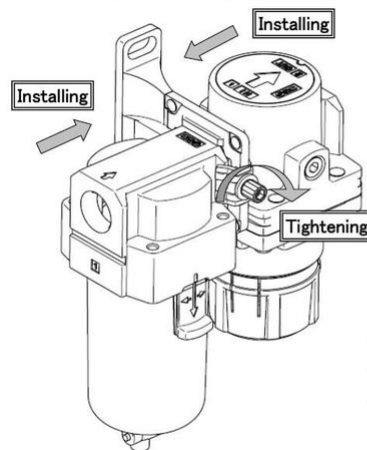
Do not cut off air supply during use.
 Fluid level must not exceed a height of 16 cm from the base of the mounting surface.
 This IP67 reinforcement kit can only supply air to one robot.

8.1.5 1.5 Mounting

Y200T-A spacer is provided for installation on site. The mounting hole size and installation instruction are as follows:

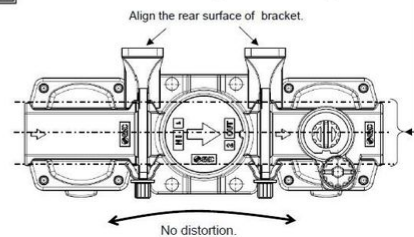


【Modular connection (Assembly)】



【Precautions for modular connection (Assembly)】

Each equipment has to be on the same straight line without misalignments.



8.1.6 1.6 Maintenance Precautions

The filter and mist separator need to be maintained according to the usage. The waste liquid needs to be removed regularly, and the filter element needs to be replaced according to the usage.

Read more

For more information about the use, programming, and parameter setting of robots, teaching aids and control cabinets, please refer to the Operation Manual of Syntec Robot Control System.

Address: Leantec Intelligence, Xindai Science park, No. 9, Chunhui Road, Suzhou Industrial Park

Leantec Intelligence: <https://www.leantec.com.cn>