

Digital Protractor DP-601

This is a compact, light-weight, and high accurate protractor with easy-to-read LCD digital display. This reduces the burden on the person making the measurement, makes the inspection process efficient, and greatly contributes to increasing the reliability.

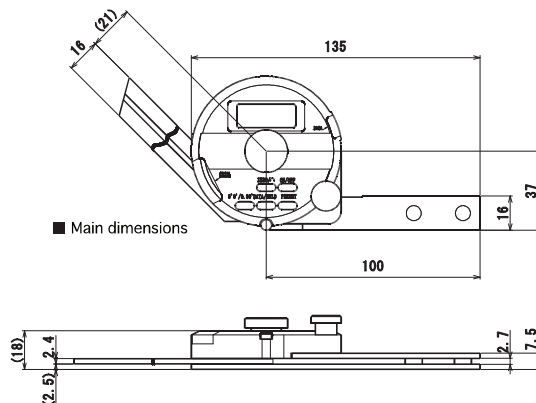


■ Features

- Compact, lightweight, high accurate digital protractor
- The main parts are made of rust-resistant hardened stainless steel (SUS420J2)
- Display mode selection between 0° 0' (base of 60) and 0.00° (decimal)
- Many different measurements are possible with optional accessories.
- With data output function

■ Specifications

Measurement range	-360°~+360° (Full circle)
Minimum reading	1' or 0.01°
Instrument error	±2'
Repeatability	1'
Response speed	3rps
Display unit	0° 0' (base of 60) or 0.00° (decimal)
Battery	Coin type lithium ion battery CR2032x1pc
Battery life	About 2000 hours
Body material	Hardened stainless steel (SUS420J2)
Main unit weight	270g approx.
Functions	Count up direction selection, preset, displayed value hold
Data output	Mitutoyo digimatic output *1 Connector shape: Compatible with Mitutoyo connection cable (flat type) *2 Not all Mitutoyo products are compatible.
Accessories	150mm blade



■ Main dimensions

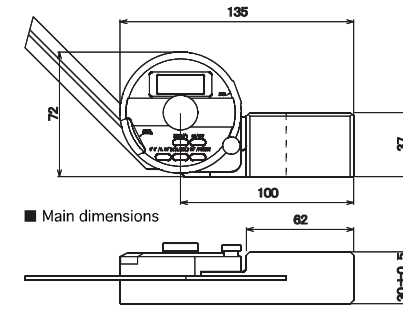
Digital Protractor - Heavy Duty Type DP-601ST

This is high accurate heavy-duty type digital protractor with high rigidity and stability. Thanks to high rigid body, this unit can be clamped by vices and etc. In addition the stability is very high due to wide measuring surface.



■ Specifications

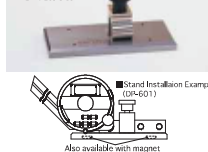
Main unit weight | 1150g approx.
All other specifications are the same as for the DP-601.
※ It is not possible to affix the height gauge holder or the acute angle attachment.



■ Main dimensions

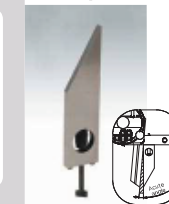
Optional Accessories

Stand

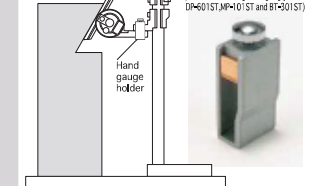


■ Stand Installation Example (DP-601)
Also available with magnet

Acute angle attachment

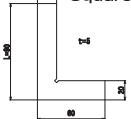


Height gauge holder

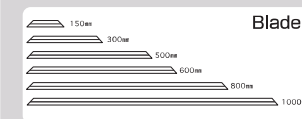


● Used with height gauge for DP-601, MP-101, BP-301, BP303 (not for heavy duty type DP-601ST, MP-101ST and BP-301ST)

Square



Blade



L-blade for horizontal angles (level)

