

AEGLOC™
Smart & Safe

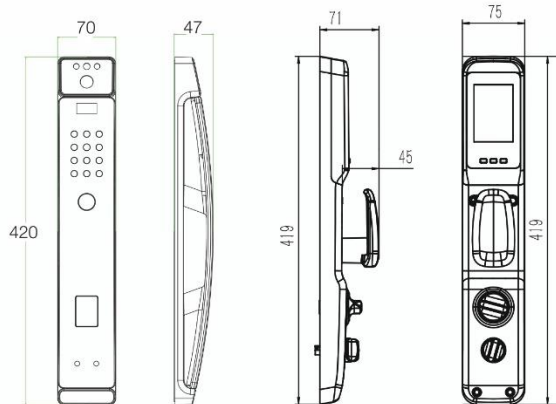
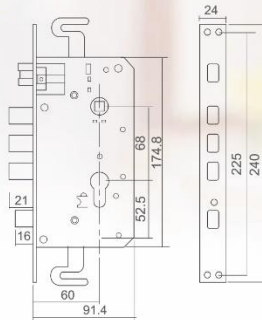


AEG-SDL-SD500/GREY
AEG-SDL-SD500D/DUMMY
PUSH PULL DOOR LOCK

AEG-SDL-SD500 /SD500D SMART PUSH PULL DOOR LOCK

AEG-SDL-SD500 / Grey
Unit Price RM2499
(6 Sets/Carton)

AEG-SDL-SD500D / Dummy
Unit Price RM899
(6 Sets/Carton)



Security Functions

Fake Pin Code | Lockout Mode

Alarming/Indication

Low Voltage

PRODUCT SPECIFICATION

Main Material	Zink alloy	Screen	0.96 inch
Type	Electronic & Mechanical	Code Length	6-12 digits
Product Size	72(W) x420 (H)x 48(D)mm	Code Capacity	50 pc
Card Sensing Distance	0-40mm	Operating Temperature (°C)	-10-60°C
Voice Guide	Yes	Battery	lthium Battery , dc7.4v, 5000mAh
Network- Wi-Fi	2.4G	Emergency Battery	5V (micro usb)
Card Type	Mifare/13.56 MHZ	Door Category	Securitydoor / Wooden door
Card Capacity	50 pc	Door Thickness (mm)	38-100mm
Fingerprint Sensor	Semiconductor		
Fingerprint Capacity	100 pc		

All pictures shown are for illustration purpose. Actual product may vary due to product enhancement.