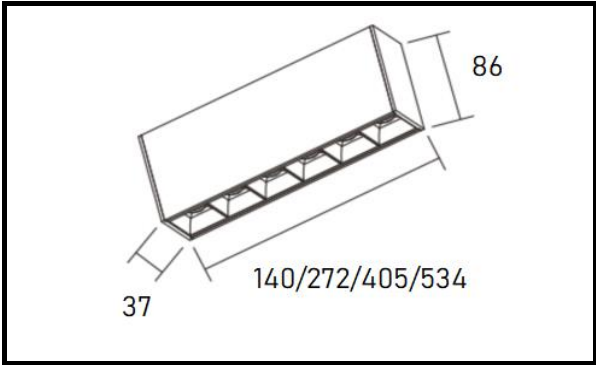


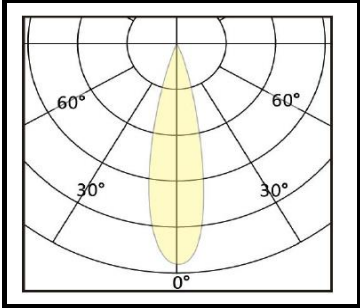
MiNIER LAZER - T5



MiNIER LAZER - T5
 LED CCT AVAILABLE
 3000K
 4000K
 6000K

Product Description
 Aluminium Die Casting;
 Double powder Coating;
 Suspend/Surface Luminaire;
 2 cable entries. Through wiring possible. (N/L)
 LED module: High Power COB
 Protection mode IP20
 Weigth: 1.1kg
 Beam Angle: 15/30/45deg

Dimension
 5 Head 10W - 140*37*86mm
 10 Head 20W - 272*37*86mm
 15 Head 30W - 405*37*86mm
 20 Head 40W - 534*37*86mm



Technical data

Model	MiNIER LZ T5-W10-30D
Luminous flux	700/1400/2100/2800lm
Power Consumption	10W/20W/30W/40W
Lumen Output	70lm/W
Lifetime	50K Hours
Power Factor	> 0.9
Color Rendering	> 80 / 90
SDCM	< 3
UGR	< 19
Lamp Type	Surface Mounted Luminaire;
Beam Angle	15/30/45 deg
Housing Material	Aluminium
Housing Color	White / Black
Dimension	Refer Dimension Details
Dimmable	Available ON / OFF
	Optional: 0-10V/ DALI / TRIAC

