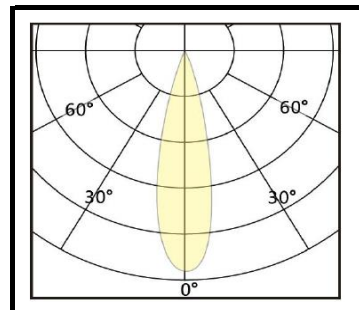
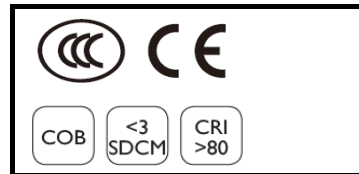
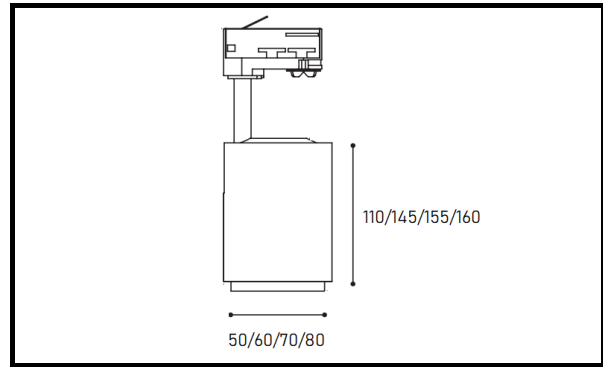


TRACK TERA T2




TRACK TERA T2
LED CCT AVAILABLE
3000K
4000K
6000K

Optional Color (CCT)
2700K
3500K

Dimension
12W- 50*110mm
20W- 60*145mm
25W- 70*155mm
35W- 80*160mm

Product Description
Aluminium Die Casting;
Double powder Coating;
Track Spot Luminaire;
2 cable entries. Through wiring possible. (N/L)
LED module: High Power COB
Protection mode IP20
Weight: 0.9kg
Beam Angle: 15/24/36deg

Accessories
 Honeycomb Filter

TRACK
2LINE Track - Standard ON/OFF or TRIAC DIM
4LINE Track - 0-10V / DALI DIM

Technical data

Model	T.TERA T2-W20-36D-BK
Luminous flux	720/1600/2000/2800lm
Power Consumption	12/20/25/35W
Lumen Output	80lm/W
Lifetime	50K Hours
Power Factor	> 0.9
Color Rendering	> 80 / 90
SDCM	< 3
UGR	< 19
Lamp Type	Track Spot Luminaire;
Beam Angle	15/24/36deg
Housing Material	Aluminium
Housing Color	White / Black
Dimension	Refer Dimension Details
Dimmable	Available ON/OFF Optional: 0-10V/ DALI/ TRIAC

WETRONIC.