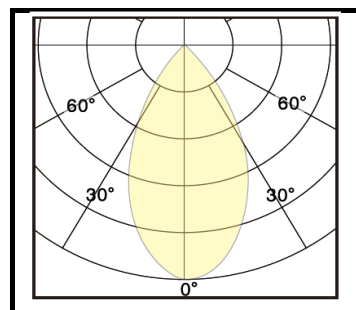
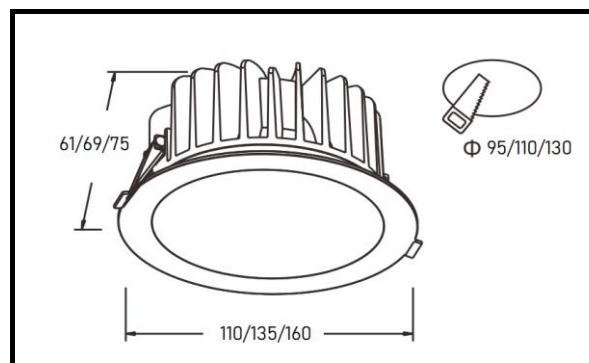


KERTON Series



KERTON Series
LED CCT AVAILABLE
3000K
4000K
6000K

Optional Color (CCT)
2700K
3500K

Dimension
15W: 110*61mm (C 95mm)
20W: 135*69mm (C 110mm)
30W: 160*75mm (C 130mm)

Product Description
Aluminium Die Casting;
Double powder Coating;
Recessed Luminaire;
2 cable entries. Through wiring possible. (N/L)
LED module: High Efficiency COB LED
Protection mode IP20
Weight: 1.1kg
Beam Angle: 60deg

Technical data

Model	KERTON-DL4-W15 -60D
Luminous flux	1350/1800/2700lm
Power Consumption	15W/20W/30W
Lumen Output	>90lm/W
Lifetime	50K Hours
Power Factor	> 0.9
Color Rendering	> 80
SDCM	< 3
UGR	< 19
Lamp Type	Recessed Luminaire;
Beam Angle	60deg
Housing Material	Aluminium
Housing Color	White / Black / Aluminium
Dimension	Refert Dimension Detail
Dimmable	Available ON / OFF Optional: 0-10V/ DALI / TRIAC

WETRONIC.