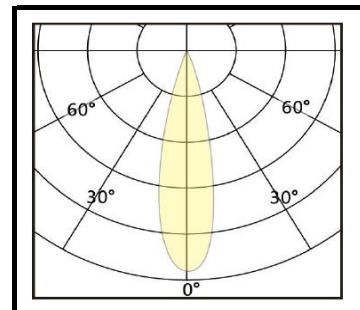
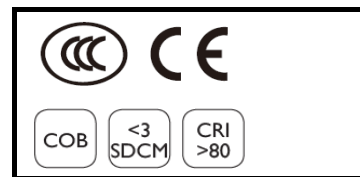
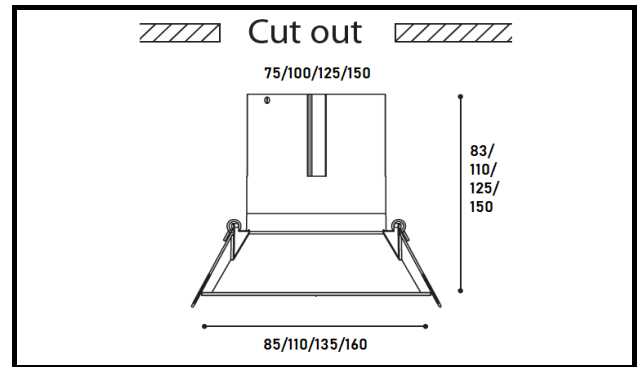


# COMPACT MODULE G3



## COMPACT MODULE G3

LED CCT AVAILABLE

3000K

4000K

6000K

## Optional Color (CCT)

2700K

3500K

## Dimension

12W- 85\*83mm (C 75mm)

20W- 110\*110mm (C 100mm)

30W- 135\*125mm (C 125mm)

40W- 160\*150mm (C 150mm)

## Product Description

Aluminium Die Casting;  
Double powder Coating;  
Recess Luminaire;  
2 cable entries. Through  
wiring possible. (N/L)

LED module: High Power  
COB

Protection mode IP20

Weight: 0.9kg

Beam Angle: 15/24/38deg

## Technical Data

Model Code	COMPM G3-W10-38D
Luminous flux	1020/ 1700/ 2550/ 3400lm
Power Consumption	12W/20W/30W/40W
Lumen Output	85lm/W
Lifetime	50K Hours
Power Factor	> 0.9
Color Rendering	> 80
SDCM	< 3
UGR	< 19
Lamp Type	Recess Luminaire;
Beam Angle	15/24/38deg
Housing Material	Aluminium
Housing Color	White / Black / W+B
Dimension	Refer Dimension Details
Dimmable	Available ON / OFF
	Optional: 0-10V/ DALI / TRIAC

**WETRONIC.**