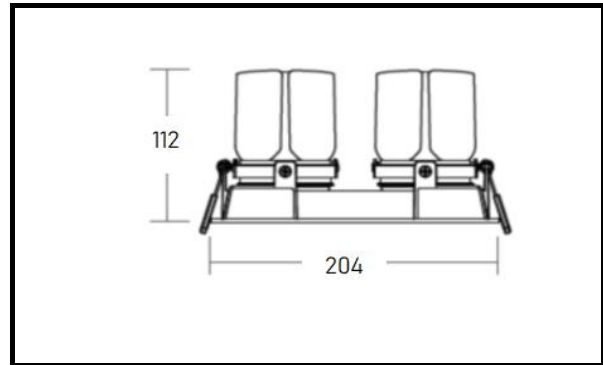


iBOT-ALPHA GU3



iBOT-ALPHA GU3
LED CCT AVAILABLE
3000K
4000K
6000K

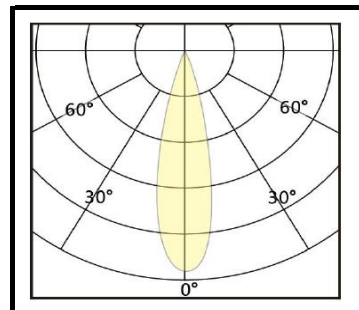
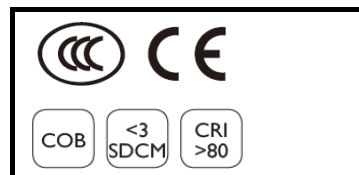
Optional Color (CCT)
2700K
3500K

Dimension

Single-112*112mm(C 100*100mm)
Double-204*112mm(C 190*100mm)

Product Description

Aluminium Die Casting;
Double powder Coating;
Surface/Suspend Luminaire;
2 cable entries. Through wiring possible. (N/L)
LED module: COB
Protection mode IP20
Weighth: 1.1kg
Beam Angle: 12/24/38deg



MODULE SELECTION



CASING SELECTION



Technical data

| | |
|-------------------|-------------------------------|
| Model | iBOT ALPHA GU3-W10-D38 |
| Luminous flux | 1280lm / 1600lm |
| Power Consumption | 2*8W / 2*10W |
| Lumen Output | 70-85lm/W |
| Lifetime | 20-30K Hours |
| Power Factor | > 0.9 |
| Color Rendering | > 80 / 90 |
| SDCM | < 3 |
| UGR | < 19 |
| Lamp Type | Recess Luminaire; |
| Beam Angle | 12/24/38 deg |
| Housing Material | Aluminium |
| Housing Color | White / Black / W+B |
| Dimension | Refer Dimension Details |
| Dimmable | Available ON / OFF |
| | Optional: 0-10V/ DALI / TRIAC |