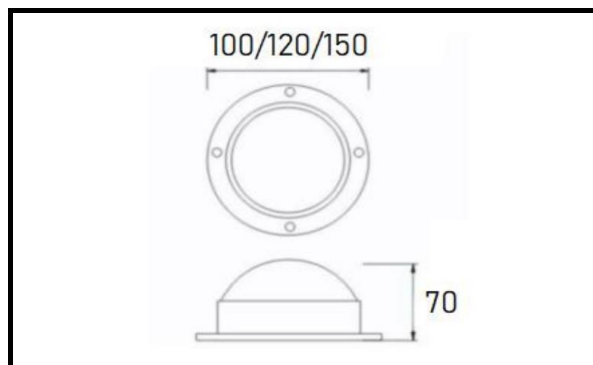
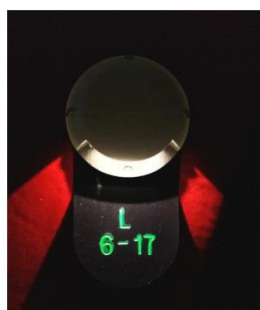
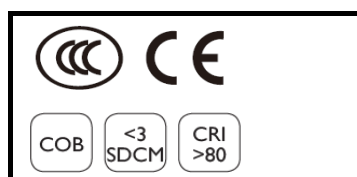


iCINIX-MARK2

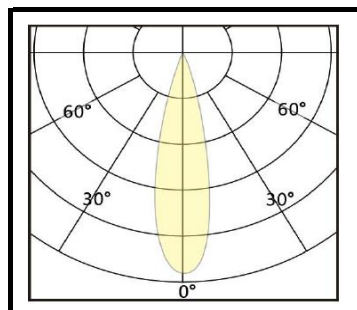


iCINIX-MARK2
LED CCT AVAILABLE
3000K
4000K
6000K
RED/GREEN/BLUE

Product Description
Aluminium Die Casting;
Double powder Coating;
Wall Down light up;
2 cable entries. Through wiring possible. (DC5/12/24V)
LED module: Mid Power
Protection mode IP65
dust-protection & water splashing protection
Weight: 0.8kg
Beam Angle: 120Deg
Maximum Wind Load
0.03m/2



***Seat Numbering**



Dimension
iCINIX-M2-W1.5
R100-D100mm * 70mm
R120-D120mm * 70mm
R150-D150mm * 70mm

Technical data

Model	iCINIX-M2-W1.5-R100
Luminous flux	100/150lm
Power Consumption	1.5W
Lumen Output	>100lm/W
Lifetime	50K Hours
Power Factor	> 0.9
Color Rendering	> 80 / 90
SDCM	< 3
UGR	< 19
Lamp Type	AISLE Luminaire
Beam Angle	100 deg
Housing Material	Aluminium Profile;
Housing Color	Powder Coating Dark Grey
Dimension	Refer Dimension Details
Dimmable	Available ON / OFF

Optional: 0-10V/ DALI / TRIAC

WETRONIC.