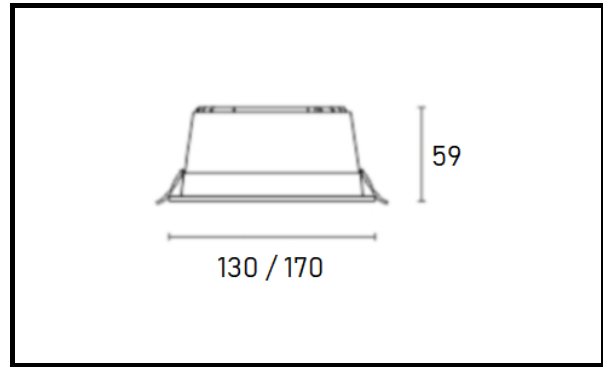


# GiLDER Series



## GiLDER Series

LED CCT AVAILABLE

3000K

4000K

6500K

## Optional Color (CCT)

2700K

3500K

## Dimension

12W- 130\*59mm (C 110mm)

15W- 130\*59mm (C 110mm)

20W- 170\*59mm (C 170mm)

25W- 170\*59mm (C 170mm)

## Product Description

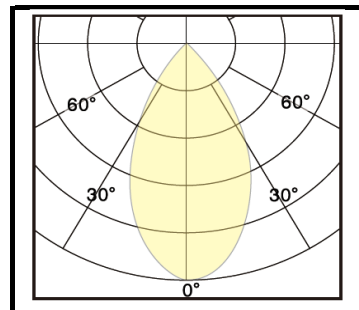
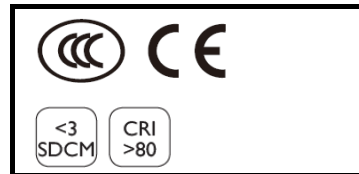
Aluminium Die Casting;  
Double powder Coating;  
Recessed Luminaire;  
2 cable entries. Through  
wiring possible. (N/L)

LED module: High Efficiency  
COB LED

Protection mode IP20

Weight: 1.1kg

Beam Angle: 120deg



## Technical data

Model Code	GiLDER-DL4/6-W15-100D
Luminous flux	1080 / 1350 / 1800 / 2250lm
Power Consumption	12W / 15W / 20W / 25W
Lumen Output	>90lm/W
Lifetime	50K Hours
Power Factor	> 0.9
Color Rendering	> 80
SDCM	< 3
UGR	< 19
Lamp Type	Recessed Luminaire;
Beam Angle	100deg
Housing Material	Aluminium
Housing Color	White / Black / Aluminium
Dimension	Refer Dimension Details
Dimmable	Available ON / OFF
	Optional: 0-10V/ DALI / TRIAC

**WETRONIC.**