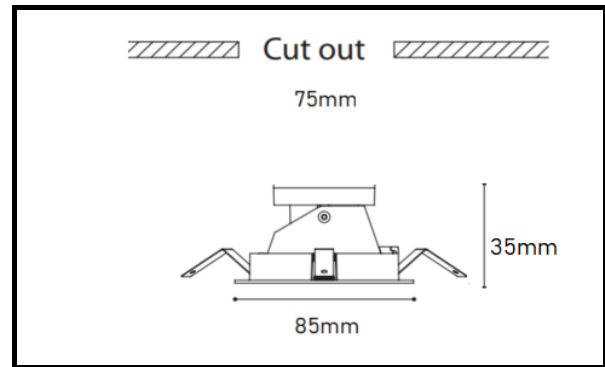


iBOT-BETA GU3



iBOT-BETA GU3 CASING SELECTION



MODULE SELECTION



Product Description

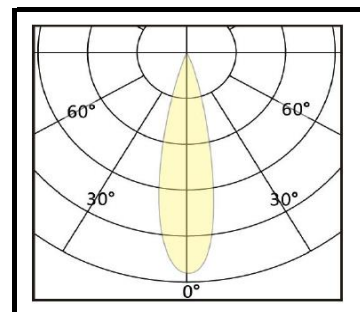
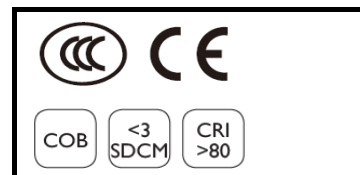
Aluminium Die Casting;
Double powder Coating;
Recess Luminaire;
2 cable entries. Through
wiring possible. (N/L)
LED module: GU10/MR16/
COB MODULE
Protection mode IP20
Weigth: 0.6kg

Standard Color (CCT)

3000K
4000K
6000K

Optional Color (CCT)

2700K
3500K



Technical data

Model	iBOT BETA GU3-W10-D38
Power Consumption	6W / 8W (MR16 & GU10)
Power Consumption	10W (COB Module)
Lumen Output	70-85lm/W
Lifetime	20-30K Hours
Power Factor	> 0.9
Color Rendering	> 80
SDCM	< 3
UGR	< 19
Lamp Type	Recess Luminaire;
Beam Angle	15/24/38deg
Housing Material	Aluminium
Housing Color	White / Black / W+B
Dimension	85mm * 76mm (CUT 75mm)
Dimmable	Available ON / OFF Optional: 0-10V/ DALI / TRIAC

WETRONIC.