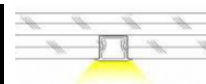
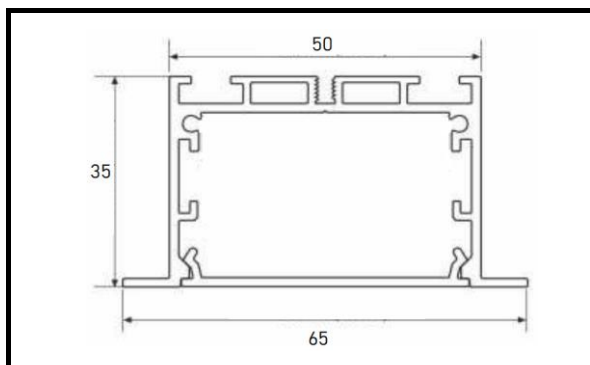
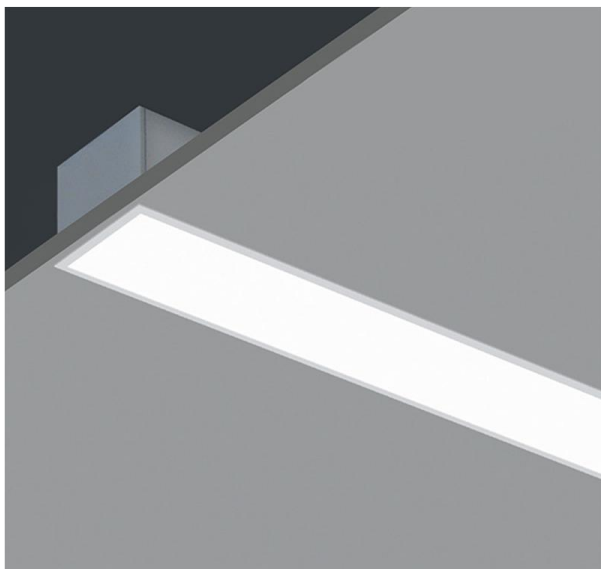


GiZALINE-R50



GiZALINE-R50

LED CCT AVAILABLE
3000K
4000K
6500K
RGB & R/G/B

LED RECOMMEND

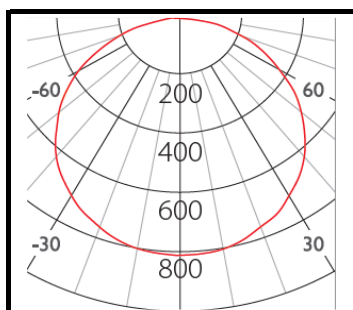
DOTLESS EFFECT
FLEXi160-W24HE-24V

Dimension

2500mm * 65 * 35 (C50mm)

Product Description

Aluminium Die Casting;
Double powder Coating;
Suspension Luminaire;
2 cable entries. Through wiring possible. (24Vdc)
LED module: High Efficiency SMD LED
Protection mode IP20
Weight: 0.7kg
Beam Angle: 110deg
CUT: 50mm



Technical data

Model Code	GiZALINE R50-SIL-2.5M
Luminous flux	3360lm
Power Consumption	24W/Mtr
Lumen Output	>140lm/W
Lifetime	50K Hours
Power Factor	> 0.9
Color Rendering	> 80
SDCM	< 3
UGR	< 19
Lamp Type	Recess Linear Light
Beam Angle	110deg
Housing Material	Aluminium
Housing Color	White / Black / Aluminium
Dimension	Refer To Dimension Details
Dimmable	Available ON / OFF
	Optional: 0-10V/ DALI / TRIAC
	Optional: ZIGBEE/RF2.4G

WETRONIC.