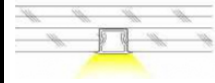
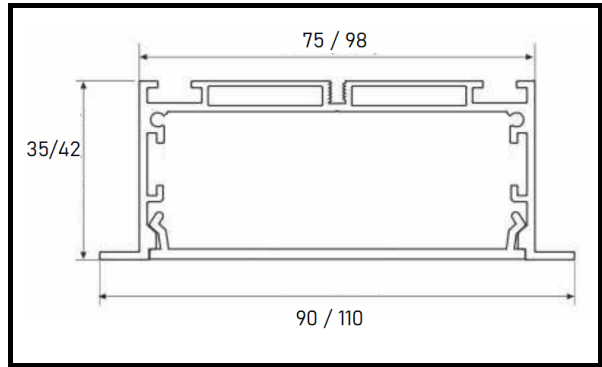
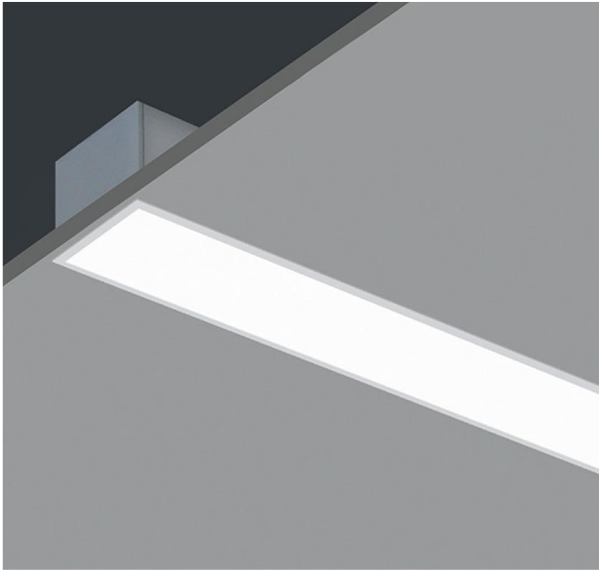


GiZALINE-R Series



GiZALINE-R75/R100

LED CCT AVAILABLE
3000K
4000K
6500K
RGB & R/G/B

LED RECOMMEND

DOTLESS EFFECT
FLEXi160-W24HE-24V

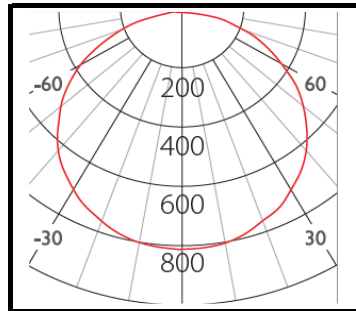
Dimension

2500mm * 90 * 35 (C75mm)
-GiZALINE R75-SIL-2.5M

3000mm * 110 * 42 (C98mm)
-GiZALINE S100-BLK-3M

Product Description

Aluminium Die Casting;
Double powder Coating;
Suspension Luminaire;
2 cable entries. Through wiring possible. (24Vdc)
LED module: High Efficiency SMD LED
Protection mode IP20
Weight: 0.7kg
Beam Angle: 110deg
CUT: 50mm



Technical data

Model Code	GiZALINE R75/100-SIL-2.5M
Luminous flux	3360lm
Power Consumption	24W/Mtr
Lumen Output	>140lm/W
Lifetime	50K Hours
Power Factor	> 0.9
Color Rendering	> 80
SDCM	< 3
UGR	< 19
Lamp Type	Recess Linear Light
Beam Angle	110deg
Housing Material	Aluminium
Housing Color	White / Black / Aluminium
Dimension	Refer To Dimension Details
Dimmable	Available ON / OFF
	Optional: 0-10V/ DALI / TRIAC
	Optional: ZIGBEE/RF2.4G

WETRONIC.