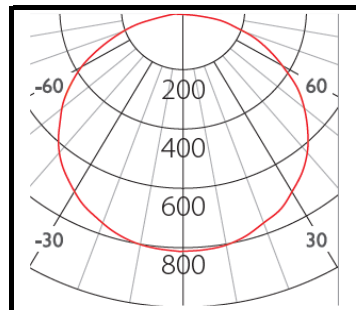
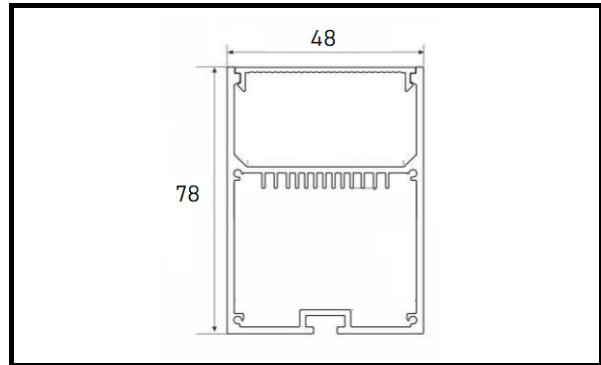


iLINEAR-S50



iLINEAR-S50

LED CCT AVAILABLE
3000K
4000K
6500K
RGB & R/G/B

LED RECOMMEND

DOTLESS EFFECT
FLEXi160-W24HE-24V

Dimension

1200mm * 48 * 78
iLINEAR S50-W40-BK1200

2500mm * 48 * 78
iLINEAR S50-W80-BK2500

Product Description

Aluminium Die Casting;
Double powder Coating;
Suspension Luminaire;
2 cable entries. Through
wiring possible. (N/L)
LED module: High Efficiency
SMD LED
Protection mode IP20
Weight: 1.1kg
Beam Angle: 110deg
Length: 1200/2500mm

Technical data

| | |
|-------------------|--|
| Model Code | iLINEAR S50-W40-BK1200 |
| Luminous flux | 4000 / 8000lm |
| Power Consumption | 40W / 80W |
| Lumen Output | >100lm/W |
| Lifetime | 50K Hours |
| Power Factor | > 0.9 |
| Color Rendering | > 80 |
| SDCM | < 3 |
| UGR | < 19 |
| Lamp Type | Suspension Luminaire; |
| Beam Angle | 110deg |
| Housing Material | Aluminium |
| Housing Color | White / Black / Aluminium |
| Dimension | Refer Dimension Details |
| Dimmable | Available ON / OFF Optional: 0-10V/ DALI / TRIAC Optional: ZIGBEE/RF2.4G |

WETRONIC.