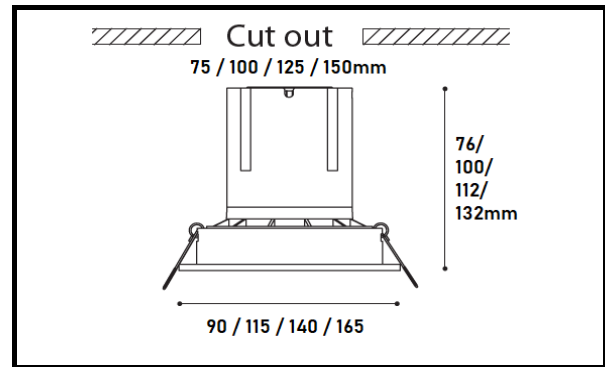


# COMPACT MODULE G5



## COMPACT MODULE G5

LED CCT AVAILABLE

3000K

4000K

6000K

## Optional Color (CCT)

2700K

3500K

## Dimension

12W- 90\*76mm (C 75mm)

20W- 115\*100mm (C 100mm)

30W- 140\*112mm (C 125mm)

40W- 165\*132mm (C 150mm)

## Product Description

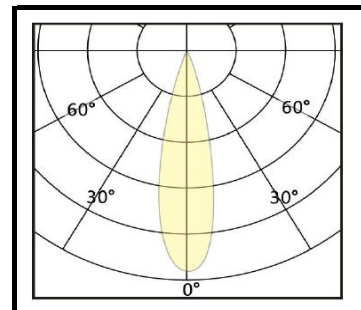
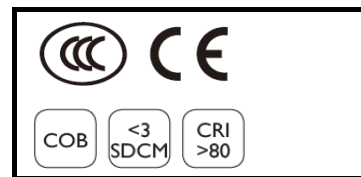
Aluminium Die Casting;  
Double powder Coating;  
Recess Luminaire;  
2 cable entries. Through  
wiring possible. (N/L)

LED module: High Power  
COB

Protection mode IP20

Weight: 0.9kg

Beam Angle: 15/24/38deg



## Technical data

Model Code	COMPM G5-W10-38D
Luminous flux	1020/1700/2550/3400lm
Power Consumption	12W/20W/30W/40W
Lumen Output	85lm/W
Lifetime	50K Hours
Power Factor	> 0.9
Color Rendering	> 80
SDCM	< 3
UGR	< 19
Lamp Type	Recess Luminaire;
Beam Angle	24deg
Housing Material	Aluminium
Housing Color	White / Black / W+B
Dimension	Refer Dimension Details
Dimmable	Available ON / OFF
	Optional: 0-10V/ DALI / TRIAC

**WETRONIC.**