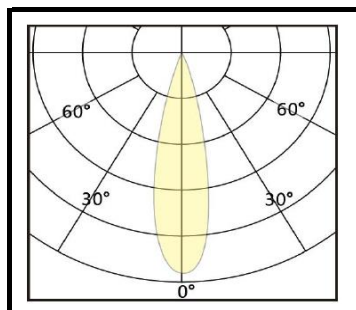
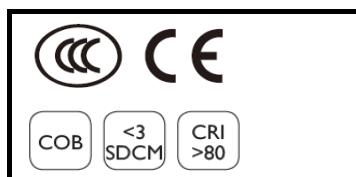
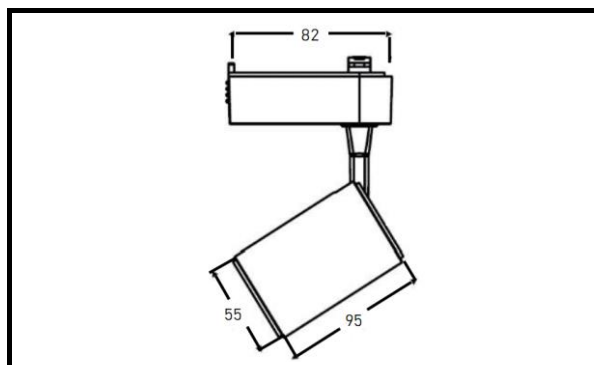


# TRACK YT T2



## TRACK YT T2

LED CCT AVAILABLE

3000K

4000K

6000K

## Optional Color (CCT)

2700K

3500K

## Product Description

Aluminium Die Casting;  
Double powder Coating;  
Track Spot Luminaire;  
2 cable entries. Through  
wiring possible. (N/L)

LED module: High Power  
COB

Protection mode IP20

Weight: 0.6kg

Beam Angle: 24deg

## TRACK

2LINE Track - Standard ON/OFF

## Technical data

Model	T.YT T2-W12-24D-BK
Luminous flux	960lm
Power Consumption	12W
Lumen Output	80lm/W
Lifetime	30K Hours
Power Factor	> 0.9
Color Rendering	> 80 / 90
SDCM	< 3
UGR	< 19
Lamp Type	Track Spot Luminaire;
Beam Angle	24deg
Housing Material	Aluminium
Housing Color	White / Black
Dimension	Refer Dimension Details
Dimmable	Available ON/OFF Optional: 0-10V/ DALI/ TRIAC

**WETRONIC.**