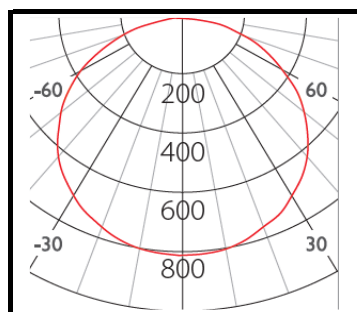
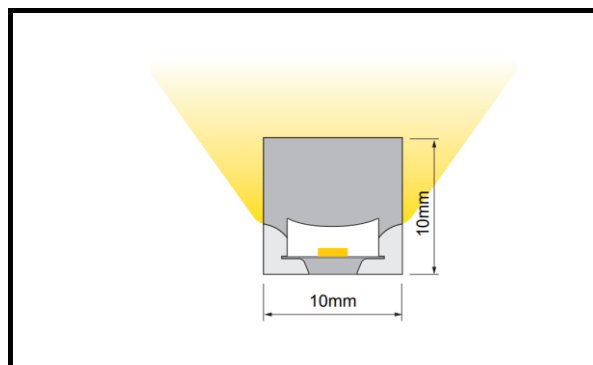


FLEXiLINE-10T



FLEXiLINE-10T

LED CCT AVAILABLE

3000K

4000K

6500K

R / G / B

Yellow

Pink

Bending Direction

TOP-Bend (Max R150mm)

Product Description

LED FLEXiLiNE Series;

Minimal Cut Length;

Flexible Light Source;

2 cable entries. Through

wiring possible. (24Vdc)

LED module: High Efficiency

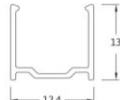
SMD LED

Protection mode IP67

Weight: 0.8kg

Beam Angle: 120deg

Cut: 36mm



Technical data

Model	FLEXiLINE-10T
Luminous flux	300/600lm
Power Consumption	5W/10W
Lumen Output	>60lm/W
Lifetime	50K Hours
Power Factor	> 0.9
Color Rendering	> 80
SDCM	< 3
UGR	< 29
Lamp Type	Flexible Neon
Beam Angle	120deg
Housing Material	Silicone
Housing Color	Silicone
Dimension	5000mm * 10mm * 10mm
Dimmable	Available ON / OFF
	Optional: 0-10V/ DALI / TRIAC

WETRONIC.