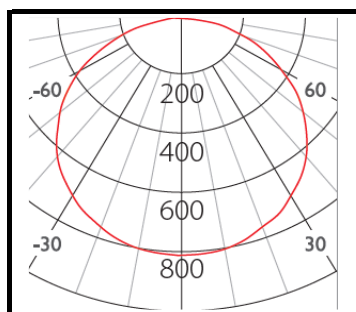
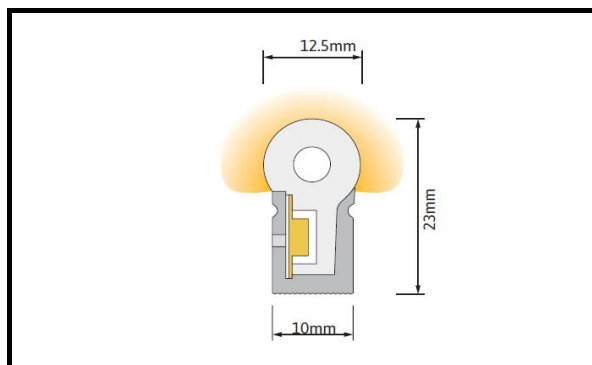


FLEXiLiNE-13



FLEXiLiNE-13

LED CCT AVAILABLE

3000K

4000K

6000K

R / G / B

Amber

Pink

RGB

Bending Direction

Side-Bend (Max R150mm)

Product Description

LED FLEXiLiNE Series;

Minimal Cut Length;

Flexible Light Source;

2 cable entries. Through

wiring possible. (24Vdc)

LED module: High Efficiency

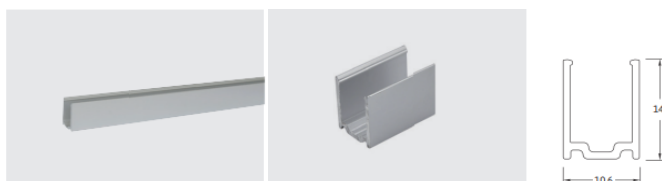
SMD LED

Protection mode IP44/IP67

Weight: 0.8kg

Beam Angle: 120deg

Cut: 50mm



Technical data

Model Code	FLEXiLiNE 13-W15-24V
Luminous flux	200/400/500lm
Power Consumption	5W/10W/15W
Lumen Output	>45lm/W
Lifetime	50K Hours
Power Factor	> 0.9
Color Rendering	> 80
SDCM	< 3
UGR	< 29
Lamp Type	Flexible Neon
Beam Angle	120deg
Housing Material	Silicone
Housing Color	Silicone
Dimension	5000mm * 12.5mm * 23mm
Dimmable	Available ON / OFF
	Optional: 0-10V/ DALI / TRIAC

WETRONIC.