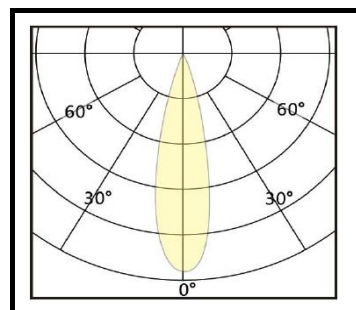
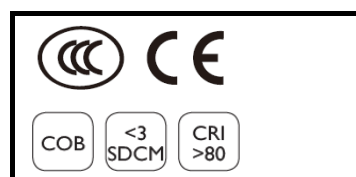
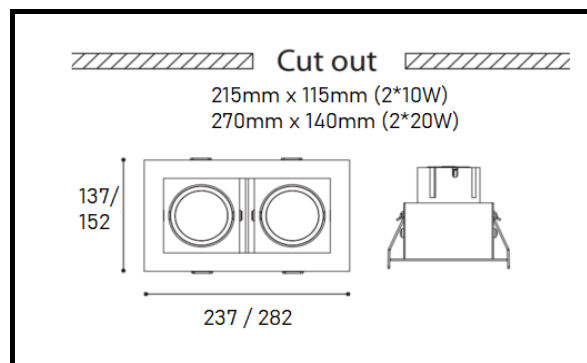
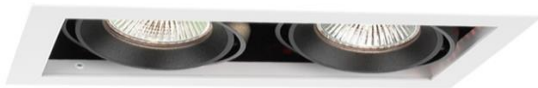


GiMBAL-COMPACT M2



GiMBAL-COMPACT M2

LED CCT AVAILABLE

3000K

4000K

6000K

Optional Color (CCT)

2700K

3500K

Product Description

Aluminium Die Casting;
 Double powder Coating;
 Surface/Suspend Luminaire;
 2 cable entries. Through
 wiring possible. (N/L)

LED module: COB

Protection mode IP20

Weight: 1.8kg

Beam Angle: 24/38deg

Dimension

2*10W : 237 * 137mm (Cut: 215 * 115mm)

GiMBAL CM2-W210-38D

2*20W : 282 * 152mm (Cut: 270 * 140mm)

GiMBAL CM2-W220-38D

Technical data

Model	GiMBAL CM2-W210-38D
Luminous flux	1600lm / 3200lm
Power Consumption	2*10W / 2*20W
Lumen Output	80lm/W
Lifetime	50K Hours
Power Factor	> 0.9
Color Rendering	> 80 / 90
SDCM	< 3
UGR	< 19
Lamp Type	Recess Luminaire;
Beam Angle	24/38 deg
Housing Material	Aluminium
Housing Color	White / Black / W+B
Dimension	Refer Dimension Details
Dimmable	Available ON / OFF
	Optional: 0-10V/ DALI / TRIAC

WETRONIC.