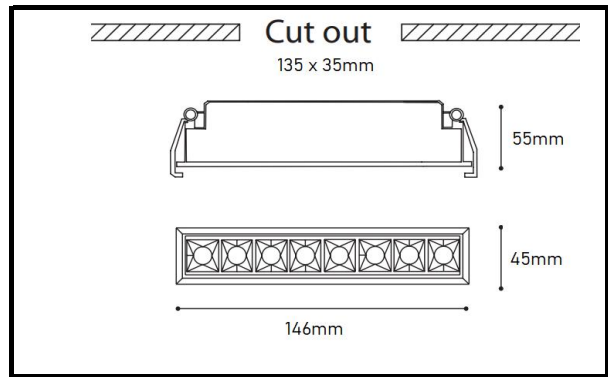
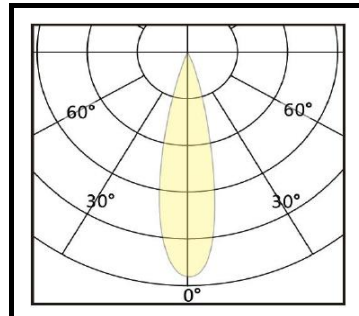
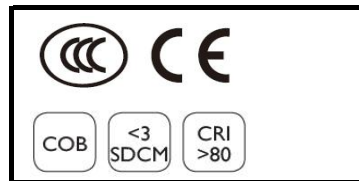


MINIER LAZER - R5



MINIER LAZER - R5
LED CCT AVAILABLE
3000K
4000K
6000K

Product Description
Aluminium Die Casting;
Double powder Coating;
Suspend/Surface Luminaire;
2 cable entries. Through
wiring possible. (N/L)
LED module: High Power
COB
Protection mode IP20
Weight: 1.1kg
Beam Angle: 15/30/45deg



Technical data

Model	MINIER LAZER - R5
Luminous flux	700lm
Power Consumption	10W/15W/20W/30W/40W
Lumen Output	70lm/W
Lifetime	50K Hours
Power Factor	> 0.9
Color Rendering	> 80 / 90
SDCM	< 3
UGR	< 19
Lamp Type	Recess Luminaire;
Beam Angle	15/30/45 deg
Housing Material	Aluminium
Housing Color	White / Black
Dimension	138mm*35mm*65mm
Dimmable	Available ON / OFF Optional: 0-10V/ DALI / TRIAC

WETRONIC.