

TOP QUALITY FOR RELIABLE, SAFE MEASUREMENTS



USER-FRIENDLY

Simple connections

The colours of the cables are identical to the colours of the connecting terminals of all of our instruments, so no mistakes are possible!

The cable lengths are perfectly matched to the applications for which our kits are intended.

Easy to use

For a firm grip during installation, there are handles on the coils of cable. The handles can be removed to facilitate storage.

UNIVERSAL

Our kits are compatible with all of our instruments, no matter which types of connectors they use, thanks to the 4 mm Ø. banana jack/fork plug adapters provided.

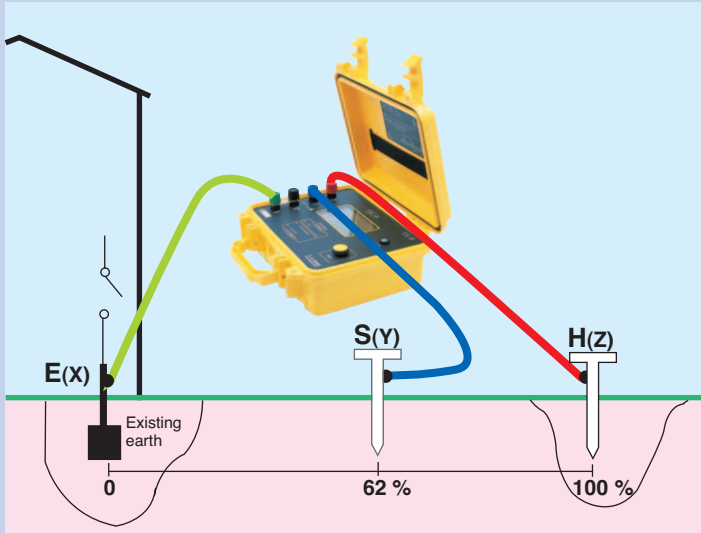
COMPACT

The carrying bags provided are designed to facilitate storage and transport of the accessories in separate compartments.

EARTH RESISTANCE MEASUREMENT

Our earth kits are used to measure the resistance of existing earth probes by the 3P method (2 auxiliary rods).

E.g.: measurement of earth resistance RE by the "62 %" method.



We propose 3 earth kits with different lengths of cable: 150 m, 100 m, and 50 m.

Each kit comprises a standard carrying bag with rubber bottom (except the 150 m*) containing:

- 1 coil of red cable (150 m, 100 m or 50 m)
- 1 coil of blue cable (150 m, 100 m or 50 m)
- 1 flat spool of cable green: 10 m
- 2 T-shaped rods
- 1 hammer
- 4 mm Ø banana jack/fork plug adapters (x 5)

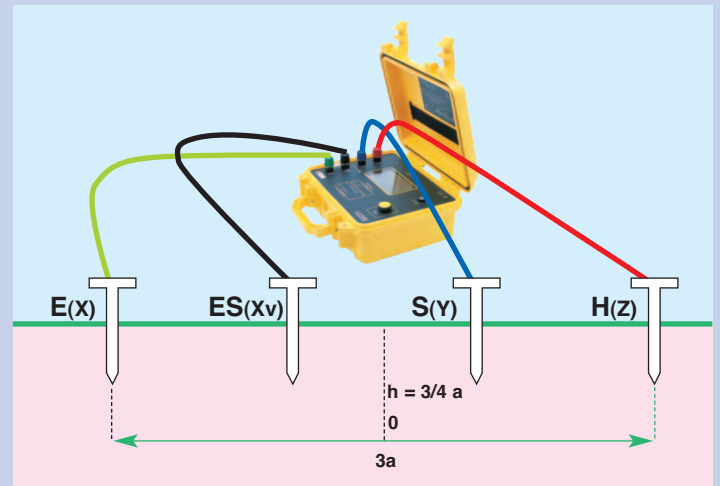
* 3P method earth kit provided with "Prestige" carrying bag

MEASUREMENT OF GROUND RESISTIVITY

Our earth and resistivity kits are used for earth and ground resistivity measurements.

For the resistivity measurement, even though several calculation methods exist, 4 rods are always necessary.

E.g.: resistivity measurement by Wenner's method.



Remark: the greater the distance between the rods, the deeper the resistivity is measured.

We propose 3 earth and resistivity kits with different lengths of cable: 150 m, 100 m, 50 m.

Each kit comprises a large carrying bag multi compartments** containing:

- 1 coil of red cable (150 m or 100 m or 50 m)
- 1 coil of blue cable (150 m or 100 m or 50 m)
- 1 coil of black cable: 30 m
- 1 coil of green cable: 100 m or 30 m
- 1 flat spool of cable green: 10 m***
- 4 T-shaped rods
- 1 hammer
- 4 mm Ø banana jack/fork plug adapters (x 5)

** Except 50 m kit: standard carrying bag

*** In 100 m / 150 m kits only

References for ordering

1P green loop kit [1 coil of 30 m of green cable and 1 T rod].....	PO1102020
1P black loop kit [1 coil of 30 m of black cable and 1 T rod].....	PO1102018
3P method earth kit (50 m).....	PO1102021
3P method earth kit (100 m).....	PO1102022
3P method earth kit (150 m).....	PO1102023
Earth resistivity kit (50 m).....	PO1102040
Earth resistivity kit (100 m).....	PO1102024
Earth resistivity kit (150 m).....	PO1102025
Resistivity option (100 m): standard carrying bag containing 2 coils of cable [100 m green and 30 m black].....	PO1102030
and 2 T rods	
Set of 5 4 mm Ø banana jack/fork plug adapters.....	PO1102028
1 T rod.....	PO1102031
Standard carrying bag.....	PO1298066
Prestige carrying bag.....	PO1298067

FRANCE

Chauvin Arnoux
190, rue Championnet
75876 PARIS Cedex 18
Tel: +33 1 44 85 44 38
Fax: +33 1 46 27 95 59
export@chauvin-arnoux.fr
www.chauvin-arnoux.fr

UNITED KINGDOM

Chauvin Arnoux Ltd
Waldeck House - Waldeck Road
MAIDENHEAD SL6 8BR
Tel: +44 1628 788 888
Fax: +44 1628 628 099
info@chauvin-arnoux.co.uk
www.chauvin-arnoux.co.uk

MIDDLE EAST

Chauvin Arnoux Middle East
P.O. BOX 60-154
1241 2020 JAL EL DIB (Beirut) - LEBANON
Tel: +961 1 890 425
Fax: +961 1 890 424
camie@chauvin-arnoux.com
www.chauvin-arnoux.com