



Tech Master GPS410 Series

4.5 Purity Single Stage Brass Barstock Diaphragm Cylinder Regulator for Acetylene



The Tech Master GPS410 Series single stage diaphragm cylinder regulators are designed for primary pressure gas control of technical grade Acetylene gas up to 4.5 purity (99.995%), on applications where slight pressure variation from decreasing cylinder pressure is acceptable.

■ **GPS410 Series** | Single Stage Diaphragm Cylinder Regulator, EPDM Pressure Relief Valve – Acetylene

★ FEATURES

- Five port configuration
- Rear panel mounting capabilities
- Encapsulated seat design
- Low wetted surface area
- Full range of inlet and outlet fittings
- Base and side entry

📁 MATERIAL

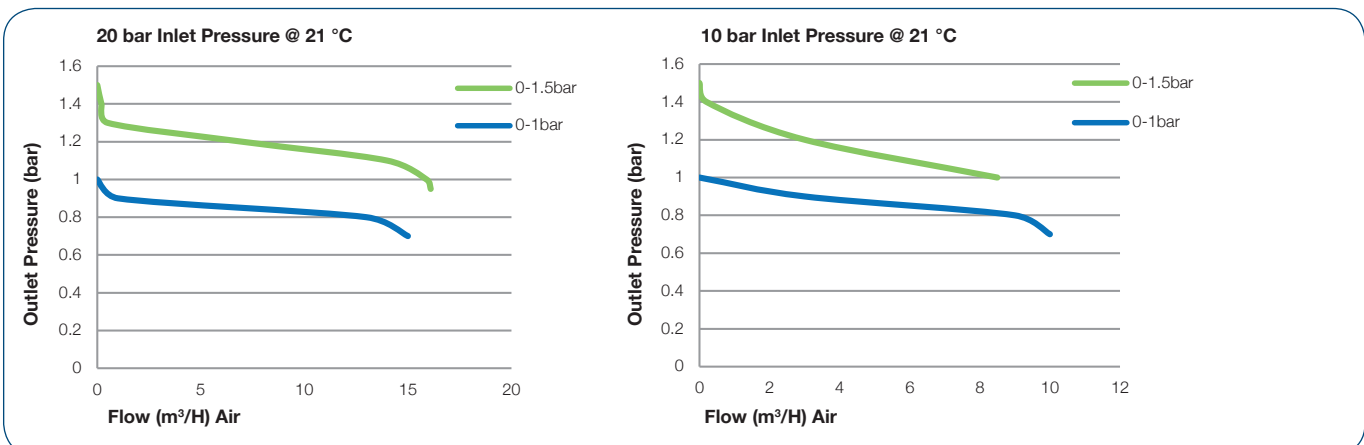
■ Body	Brass Barstock
■ Bonnet	High Strength Alloy
■ Diaphragm	Polychloroprene (Neoprene®) (CR)
■ Valve Seat	Polyamide (Nylon®)
■ Filter	10 Micron 316L Stainless Steel

👍 SPECIFICATION

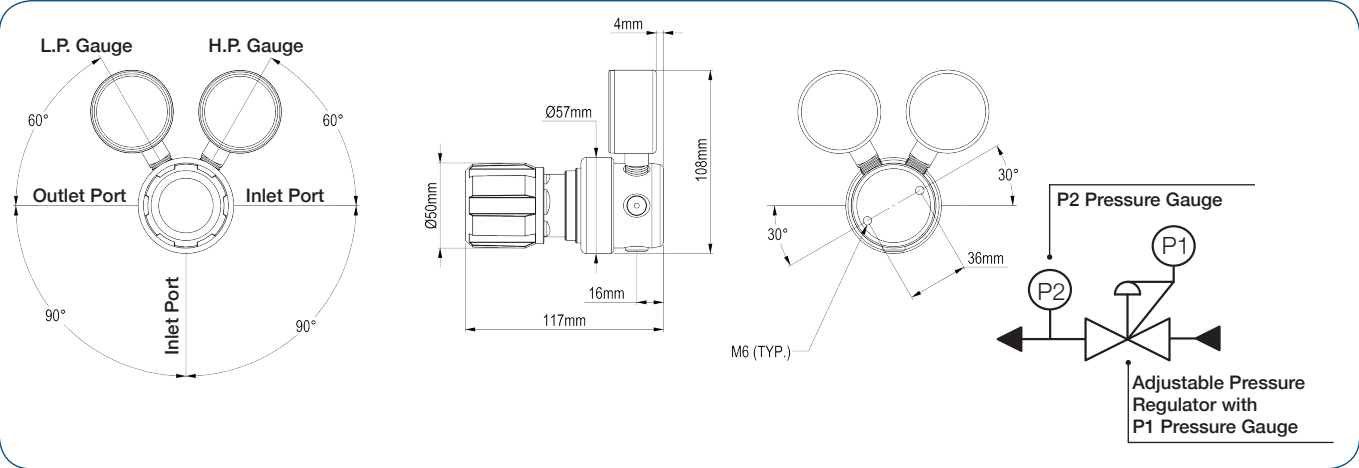
■ Maximum Inlet Pressure	25 bar (360 PSI)
■ Delivery Pressure Range	1.0 bar (15 PSI) 1.5 bar (22 PSI)
■ Gauges	50mm (2") Diameter
■ Ports	1/4" NPT Female
■ Temperature Range	-20° C to +60° C (-4° F to +140° F)
■ Weight	1.2 kg (2.7 lbs)**

** Cylinder connection not included

✓ FLOW PERFORMANCE



DRAWINGS



MODEL NO. SELECTOR GUIDE

Example for a Model No. for GPS410 Series

GPS410-	01-	02-	00-	00-	001-	01-	A
Product Type	Inlet Pressure Bar [Psig]	Outlet Pressure Bar [Psig]	Inlet Pressure Gauge	Outlet Pressure Gauge	Inlet Connection	Outlet Connection	Options
GPS410	01 25 [360]	01 0 to 1.0 [15]	00 No Gauge Fitted	00 No Gauge Fitted	000 1/4" NPT Female	00 1/4" NPT Female	A No Options Selected
		02 0 to 1.5 [22]	01 bar/PSI	01 bar/PSI	001 1/8 Stainless Steel Compression	01 1/8 Stainless Steel Compression	K Certificate of Conformity (CoC)
			10 Plugged Port	10 Plugged port	002 1/4 Stainless Steel Compression	02 1/4 Stainless Steel Compression	P Calibration / Pressure Test Certificate
					003 6mm Stainless Steel Compression	03 6mm Stainless Steel Compression	X Special Instruction
					004 1/4 NPT Male	04 1/4 NPT Male	
					008 G3/8 BSP L/H Brass Male	05 1/4 SAE Flare Brass Male	
					011 BS341 No.4 (Base Entry)	08 G3/8 BSP L/H Brass Male	
					012 BS341 No.4	10 Isolation Valve, 1/4 NPT Female, EPDM Seal	
					027 DIN477 No.3	12 Isolation Valve, 1/8 Stainless Steel Compression, EPDM Seal	
					028 DIN477 No.3.1	14 Isolation Valve, 1/4 Stainless Steel Compression, EPDM Seal	
					050 CGA510	16 Isolation Valve, 6mm Stainless Steel Compression, EPDM Seal	
					<i>For our complete range of cylinder connections refer to 'ICONTGEN-TechMaster Cylinder Connections data sheet'</i>	18 Isolation Valve, 1/4 NPT Male, EPDM Seal	
						22 Isolation Valve, G3/8 BSP L/H Brass Male, EPDM Seal	