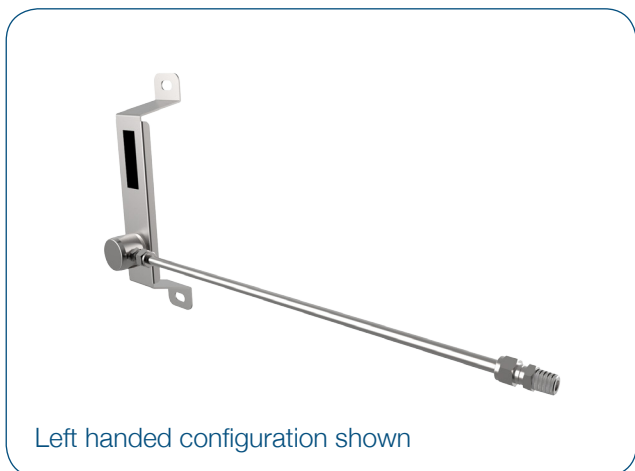




# Chem Master SGH6000 Series

## 6.0 Purity Header Rail Assemblies



Left handed configuration shown

The **Chem Master** range of header rail assemblies and tailpipes are designed for use with corrosive, toxic and high purity gases up to grade 6.0 purity (99.9999%). They are intended for use in conjunction with our gas control panels integrated within gas management and distribution systems.

- **SGH6010** Series | Chem Master Universal Left Hand Header
- **SGH6020** Series | Chem Master Universal Right Hand Header

### ★ FEATURES

- 3 Inlet & 1 Outlet Ports
- Left or Right Hand Configuration
- Compression Style Connection
- Supplied with 2 off 1/4" NPT Plugs

### 📄 MATERIAL

- **Bracket** Stainless Steel
- **Body** Stainless Steel
- **Connecting Tube** Stainless Steel
- **Connections** Stainless Steel

### 👍 SPECIFICATION

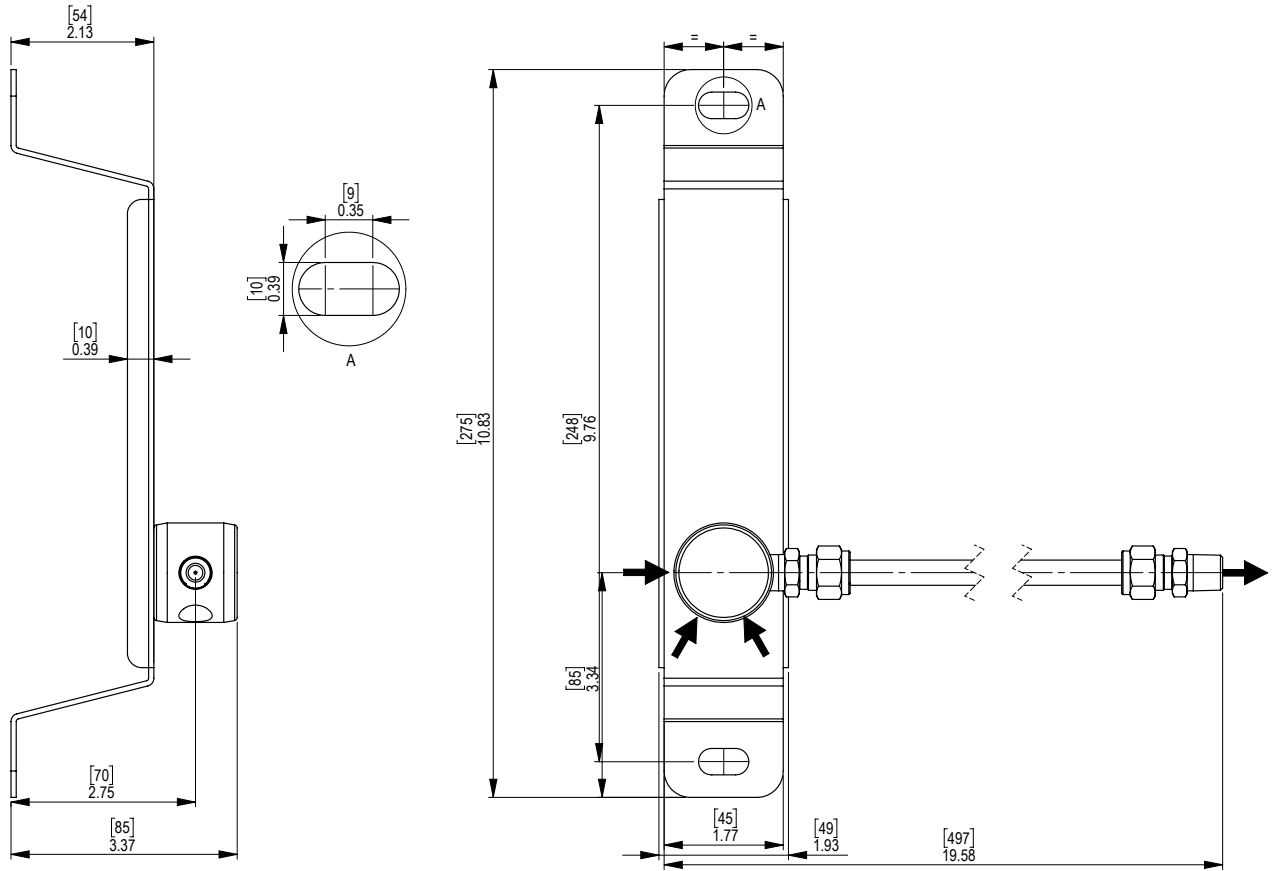
- **Maximum Inlet Pressure** 300 bar (4350 PSI)
- **Ports** 1/4" NPT Female
- **Temperature Range** -20° C to +60° C (-4° F to +140° F)
- **Weight** 0.6 kg (1.32 lb) maximum

### 1 2 3 MODEL NO. SELECTOR GUIDE

Example for a Model No. for SGH6000 Series

Product Type	Inlet Pressure Bar [PSI]	Options
SGH6010	04 300 [4350]	A No Options Selected
SGH6020		G Helium Test Certificate
		K Certificate of Conformity
		X Special Instruction

**DIMENSIONS**



**CONTROL PANEL WITH HEADER INSTALLATION GUIDE**

Example with Manual Control Panel

Example with Automatic Control Panel

