

Left handed configuration shown

The **Tech Master** range of header rail assemblies are designed for use with non-corrosive or toxic, technical gases up to grade 4.5 purity (99.995%). They are intended for use in conjunction with our gas control panels integrated within gas management and distribution systems.

- **GPH4011** Series | Tech Master Universal Left Hand Header, FKM Seal
- **GPH4012** Series | Tech Master Universal Left Hand Header, EPDM Seal
- **GPH4021** Series | Tech Master Universal Right Hand Header, FKM Seal
- **GPH4022** Series | Tech Master Universal Right Hand Header, EPDM Seal

### 1 2 3 MODEL NO. SELECTOR GUIDE

Example for a Model No. for GPH4000 Series

Product Type	Inlet Pressure Bar [PSI]	Options
GPH4011	04 300 [4350]	A No Options Selected
GPH4012		K Certificate of Conformity
GPH4021		X Special Instruction
GPH4022		

### ★ FEATURES

- 3 Inlet & 1 Outlet Ports
- Left or Right Hand Configuration
- 1/4" NPT Male Connection
- Supplied with 2 off 1/4" NPT Plugs
- Flat Face 'O' Ring Seal

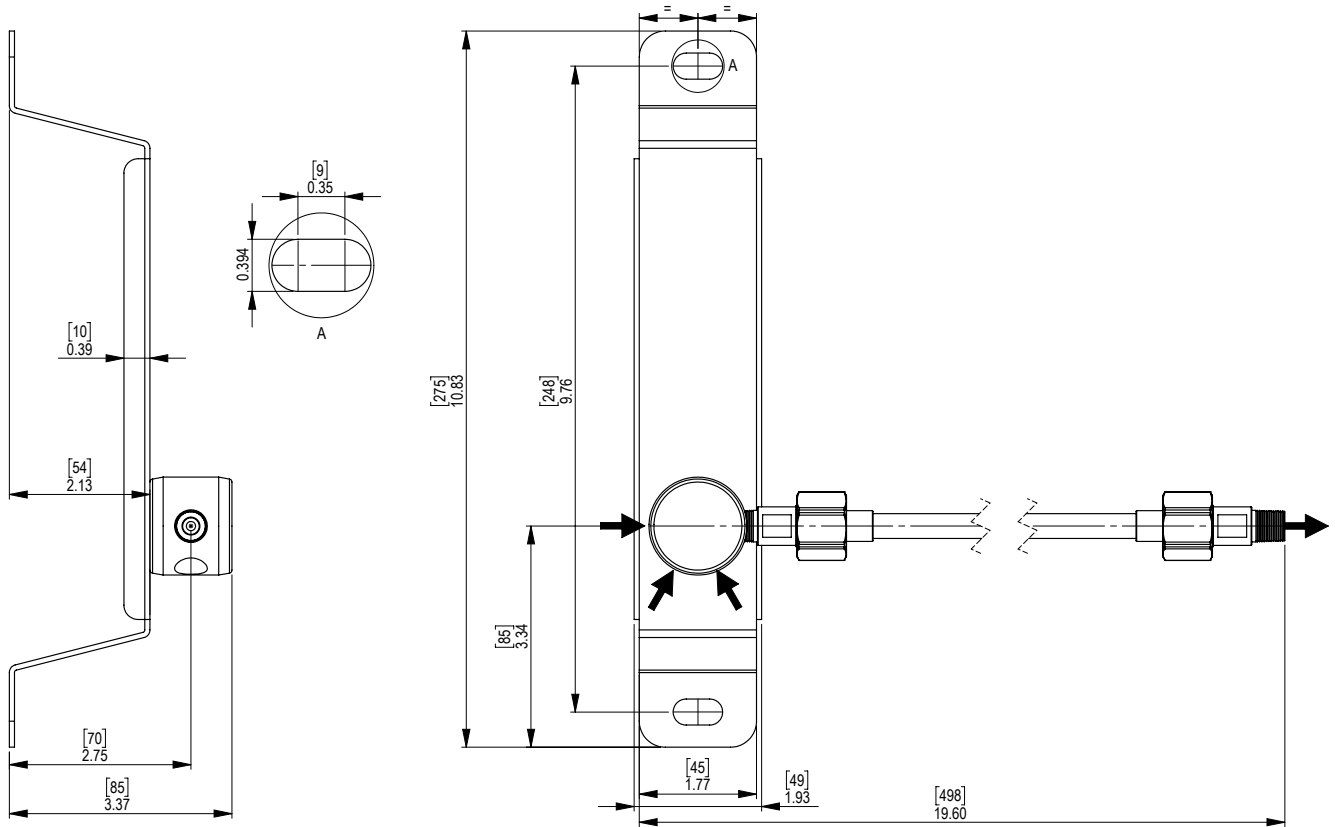
### 📄 MATERIAL

- **Bracket** Stainless Steel
- **Body** Brass Barstock
- **Connecting Tube** Cupro-Nickel
- **Connections** Brass Barstock

### 👍 SPECIFICATION

- **Maximum Inlet Pressure** 300 bar (4350 PSI)
- **Ports** 1/4" NPT Female
- **Temperature Range** -20° C to +60° C (-4° F to +140° F)
- **Weight** 0.6 kg (1.32 lb) maximum

**DIMENSIONS**



**CONTROL PANEL WITH HEADER INSTALLATION GUIDE**

Example with Manual Control Panel

Example with Automatic Control Panel

