



# Lab Master LGL500 Series

5.0 Purity Single Stage Nickel Plated Brass Barstock Diaphragm Line Regulator



The Lab Master LGL500 Series single stage diaphragm line regulators are designed for secondary pressure gas control of non-corrosive or toxic, high purity gases up to grade 5.0 purity (99.999%), on gas distribution systems.

■ LGL500 Series | Single Stage Diaphragm Line Regulator

## ★ FEATURES

- Four port configuration
- Rear panel mounting capabilities
- Encapsulated seat design
- Low wetted surface area
- Full range of inlet and outlet fittings
- Side entry

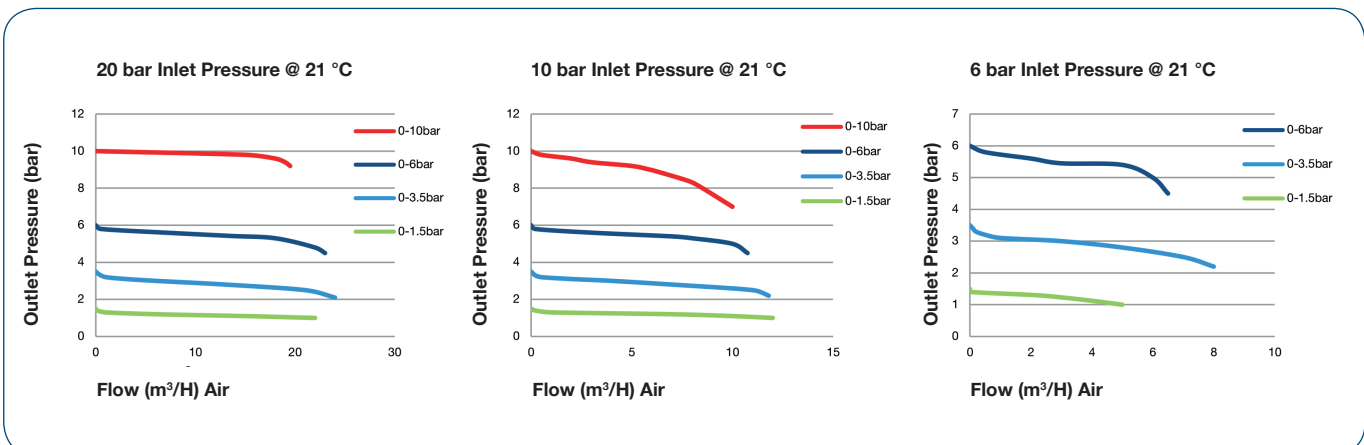
## 📄 MATERIAL

- Body: Nickel Plated Brass Barstock
- Bonnet: High Strength Alloy
- Diaphragm: 316L Stainless Steel
- Seal: PTFE
- Seat: Polyamide (Nylon®)
- Filter: 10 Micron 316L Stainless Steel

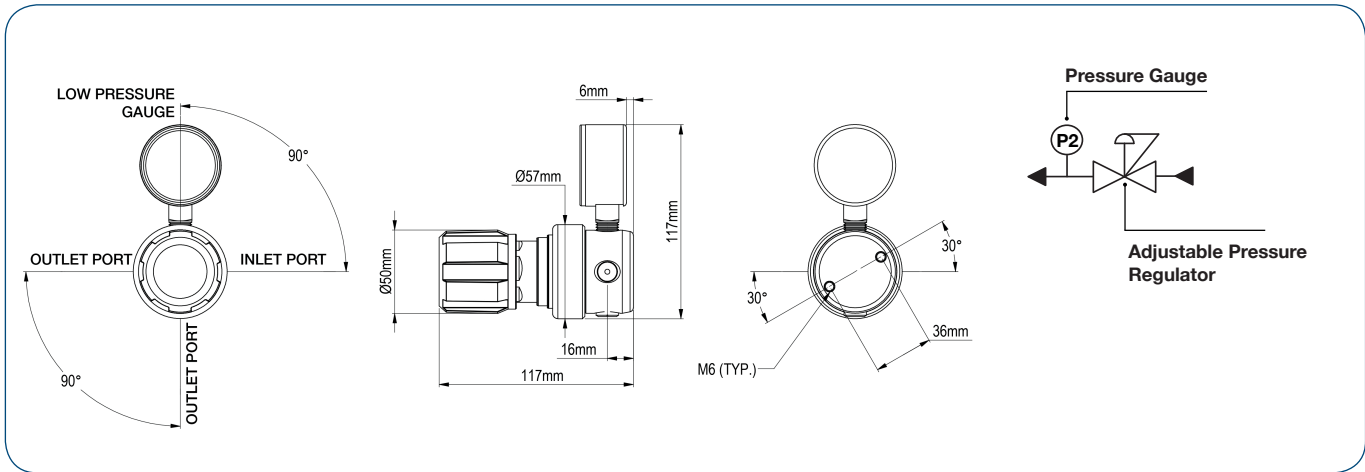
## 👍 SPECIFICATION

- Maximum Inlet Pressure: 60 bar (870 PSI)
- Delivery Pressure Range: 1.5 bar (22 PSI), 3.5 bar (50 PSI), 6 bar (90 PSI), 10 bar (150 PSI)
- Gauges: 50mm (2") Diameter
- Ports: 1/4" NPT Female
- Temperature Range: -20° C to +60° C (-4° F to +140° F)
- Flow Coefficient (Cv): 0.1
- Weight: 1.1 kg (2.5 lb)

## ✓ FLOW PERFORMANCE



**DRAWINGS**



**MODEL NO. SELECTOR GUIDE**

Example for a Model No. for LGL500 Series

LGL500-	02-	02-	00-	00-	001-	01-	A
Product Type	Inlet Pressure Bar [Psig]	Outlet Pressure Bar [Psig]	Inlet Pressure Gauge	Outlet Pressure Gauge	Inlet Connection	Outlet Connection	Options
LGL500	02 60 [870]	02 0 to 1.5 [22]	00 No Gauge Fitted	00 No Gauge Fitted	000 1/4 NPT Female	00 1/4 NPT Female	A No Options Selected
		03 0 to 3.5 [50]		01 bar/PSI	001 1/8 Stainless Steel Compression	01 1/8 Stainless Steel Compression	K Certificate of Conformity (CoC)
		04 0 to 6 [90]		10 Plugged port	002 1/4 Stainless Steel Compression	02 1/4 Stainless Steel Compression	P Calibration / Pressure Test Certificate
		05 0 to 10 [150]			003 6mm Stainless Steel Compression	03 6mm Stainless Steel Compression	X Special Instruction
					004 1/4 NPT Male	04 1/4 NPT Male	
					006 G1/2 BSP R/H Brass Male	06 G1/2 BSP R/H Brass Male	
					007 G3/8 BSP R/H Brass Male	07 G3/8 BSP R/H Brass Male	
					008 G3/8 BSP L/H Brass Male	08 G3/8 BSP L/H Brass Male	
						09 Isolation Valve, 1/4 NPT Female, FKM Seal	
						10 Isolation Valve, 1/4 NPT Female, EPDM Seal	
						11 Isolation Valve, 1/8 Stainless Steel Compression, FKM Seal	
						12 Isolation Valve, 1/8 Stainless Steel Compression, EPDM Seal	
						13 Isolation Valve, 1/4 Stainless Steel Compression, FKM Seal	
						14 Isolation Valve, 1/4 Stainless Steel Compression, EPDM Seal	
						15 Isolation Valve, 6 mm Stainless Steel Compression, FKM Seal	
						16 Isolation Valve, 6mm Stainless Steel Compression, EPDM Seal	
						17 Isolation Valve, 1/4 NPT Male, FKM Seal	
						18 Isolation Valve, 1/4 NPT Male, EPDM Seal	
						19 Isolation Valve, G3/8 BSP R/H Brass Male, FKM Seal	
						20 Isolation Valve, G3/8 BSP R/H Brass Male, EPDM Seal	
						21 Isolation Valve, G3/8 BSP L/H Brass Male, FKM Seal	
						22 Isolation Valve, G3/8 BSP L/H Brass Male, EPDM Seal	