



Spec Master HPL600 Series

6.0 Purity Single Stage Nickel Plated Brass Barstock Diaphragm Line Regulator



The Spec Master HPL600 Series single stage diaphragm line regulators are designed for secondary pressure gas control of non-corrosive or toxic, high purity gases up to grade 6.0 purity (99.9999%), on gas distribution systems.

■ **HPL600 Series** | Single Stage Diaphragm Line Regulator

★ FEATURES

- Four port configuration
- Front and rear panel mounting capabilities
- Encapsulated seat design
- Low wetted surface area
- Full range of inlet and outlet fittings
- Base and side entry

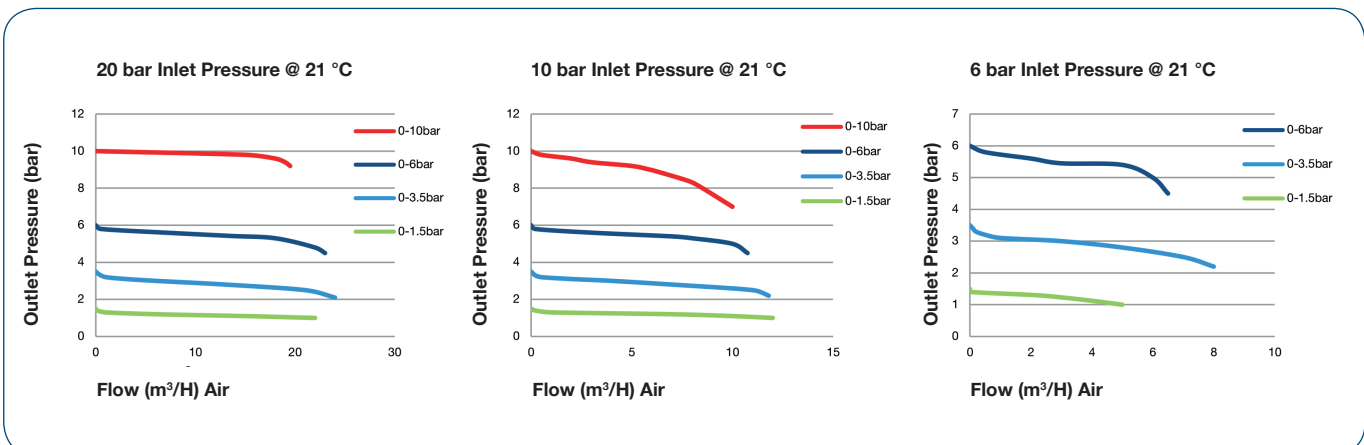
📄 MATERIAL

■ Body	Nickel Plated Brass Barstock
■ Bonnet	Nickel Plated Brass Barstock
■ Diaphragm	316L Stainless Steel
■ Seal	PTFE
■ Seat	PCTFE)
■ Filter	10 Micron 316L Stainless Steel

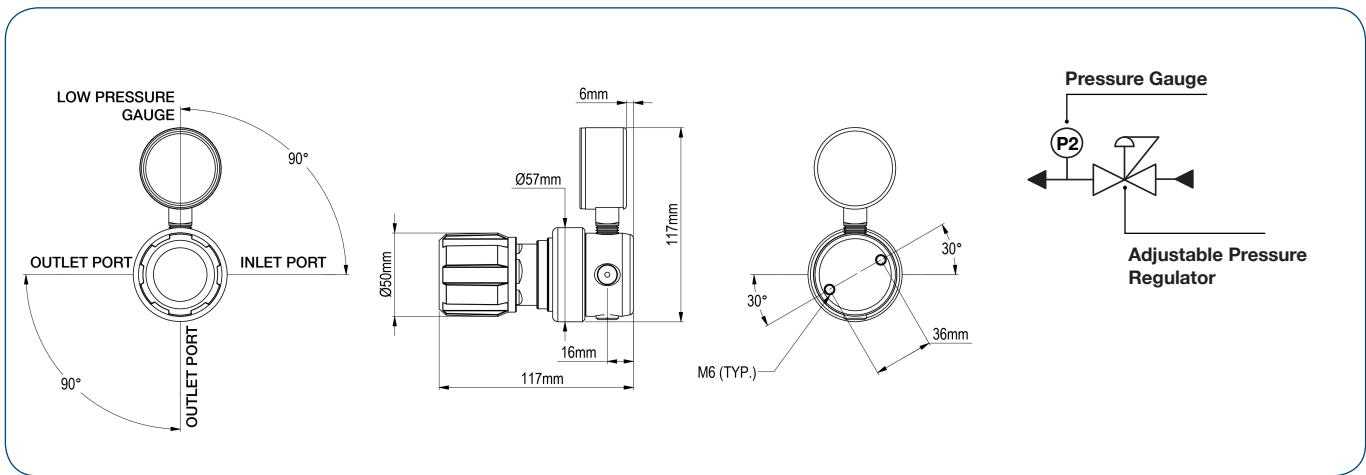
👍 SPECIFICATION

■ Maximum Inlet Pressure	207 bar (3000 PSI)
■ Delivery Pressure Range	1.5 bar (22 PSI) 3.5 bar (50 PSI) 6 bar (90 PSI) 10 bar (150 PSI)
■ Gauges	50mm (2") Diameter
■ Ports	1/4" NPT Female
■ Temperature Range	-20° C to +60° C (-4° F to +140° F)
■ Helium Leak Integrity	1 x 10 ⁻⁹ mbar l/s
■ Flow Coefficient (Cv)	0.1
■ Weight	1.1 kg (2.5 lb)

✓ FLOW PERFORMANCE



DRAWINGS



MODEL NO. SELECTOR GUIDE

Example for a Model No. for HPL600 Series

HPL600-	03-	02-	00-	00-	001-	01-	A
Product Type	Inlet Pressure Bar [Psig]	Outlet Pressure Bar [Psig]	Inlet Pressure Gauge	Outlet Pressure Gauge	Inlet Connection	Outlet Connection	Options
HPL600	03 207 [3000]	02 0 to 1.5 [22]	00 No Gauge Fitted	00 No Gauge Fitted	000 1/4 NPT Female	00 1/4 NPT Female	A No Options Selected
		03 0 to 3.5 [50]		01 bar/PSI	001 1/8 Stainless Steel Compression	01 1/8 Stainless Steel Compression	F Bonnet Vent Capture Kit
		04 0 to 6 [90]		10 Plugged port	002 1/4 Stainless Steel Compression	02 1/4 Stainless Steel Compression	G Helium Test Certificate
		05 0 to 10 [150]			003 6mm Stainless Steel Compression	03 6mm Stainless Steel Compression	K Certificate of Conformity (CoC)
					004 1/4 NPT Male	04 1/4 NPT Male	L Panel Mount Locking Nut Kit
					007 G3/8 BSP R/H Brass Male	07 G3/8 BSP R/H Brass Male	P Calibration/Pressure Test certificate
					008 G3/8 BSP L/H Brass Male	08 G3/8 BSP L/H Brass Male	X Special Instruction
						09 Isolation Valve, 1/4 NPT Female, FKM Seal	
						10 Isolation Valve, 1/4 NPT Female, EPDM Seal	
						11 Isolation Valve, 1/8 Stainless Steel Compression, FKM Seal	
						12 Isolation Valve, 1/8 Stainless Steel Compression, EPDM Seal	
						13 Isolation Valve, 1/4 Stainless Steel Compression, FKM Seal	
						14 Isolation Valve, 1/4 Stainless Steel Compression, EPDM Seal	
						15 Isolation Valve, 6 mm Stainless Steel Compression, FKM Seal	
						16 Isolation Valve, 6mm Stainless Steel Compression, EPDM Seal	
						17 Isolation Valve, 1/4 NPT Male, FKM Seal	
						18 Isolation Valve, 1/4 NPT Male, EPDM Seal	
						19 Isolation Valve, G3/8 BSP R/H Brass Male, FKM Seal	
						20 Isolation Valve, G3/8 BSP R/H Brass Male, EPDM Seal	
						21 Isolation Valve, G3/8 BSP L/H Brass Male, FKM Seal	
						22 Isolation Valve, G3/8 BSP L/H Brass Male, EPDM Seal	