



Chem Master SGL620 Series

6.0 Purity Single Stage Stainless Steel Piston Line Regulator



The Chem Master SGL620 single stage piston line regulators are designed for secondary pressure gas control of corrosive, toxic and high purity gases up to grade 6.0 purity (99.9999%), on gas distribution systems.

- **SGL621** Series | Single Stage Piston Line Regulator, FKM Seal
- **SGL622** Series | Single Stage Piston Line Regulator, EPDM Seal

★ FEATURES

- Four port configuration
- Front and rear panel mounting capabilities
- Encapsulated seat design
- Low wetted surface area
- Full range of inlet and outlet fittings
- Side entry

🔧 MATERIAL

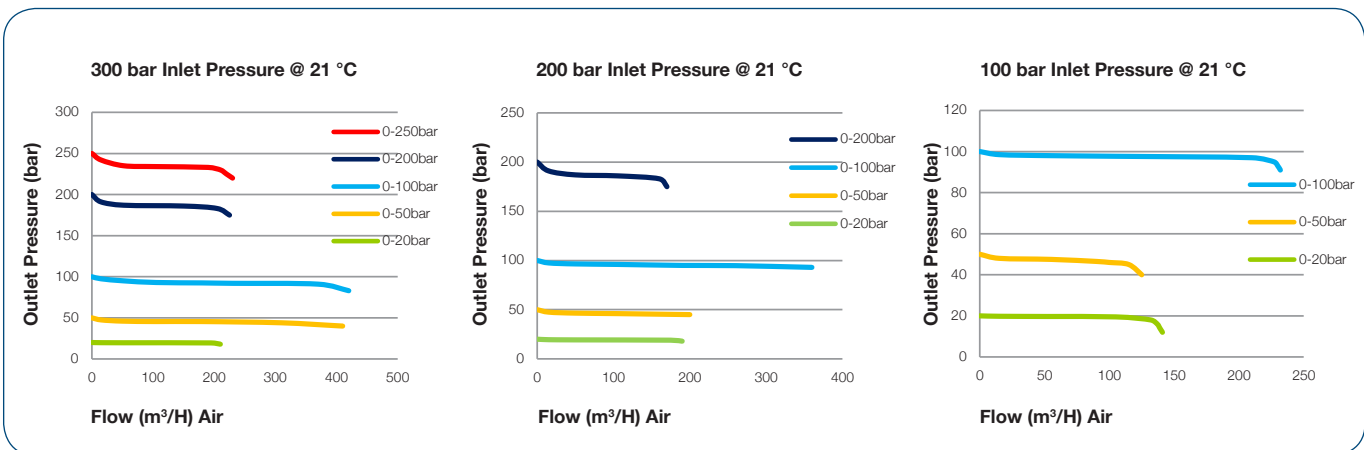
- **Body** 316L Stainless Steel
- **Bonnet** Nickel Plated Brass Barstock
- **Piston** 316L Stainless Steel
- **Seal** FKM / EPDM
- **Seat** PCTFE
- **Filter** 10 Micron 316L Stainless Steel

*** NACE and 3.1 material certificates available on request, please contact the sales office for further information.

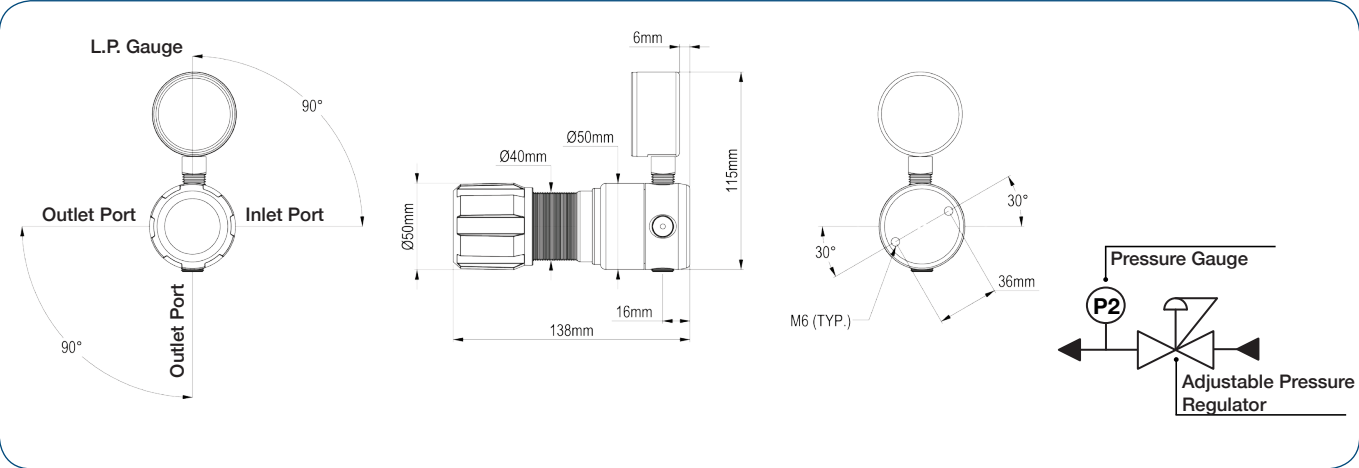
👍 SPECIFICATION

- **Maximum Inlet Pressure** 300 bar (4350 PSI)
- **Delivery Pressure Range**
 - 20 bar (300 PSI)
 - 50 bar (725 PSI)
 - 100 bar (1450 PSI)
 - 200 bar (2900 PSI)
 - 250 bar (3625 PSI)
- **Gauges** 50mm (2") Diameter
- **Ports** 1/4" NPT Female
- **Temperature Range** -20° C to +60° C (-4° F to +140° F)
- **Flow Coefficient (Cv)** 0.1
- **Helium Leak Integrity** 1×10^{-9} mbar l/s
- **Weight** 1.4 kg (3.1 lb)

✓ FLOW PERFORMANCE



DRAWINGS



MODEL NO. SELECTOR GUIDE

Example for a Model No. for SGL620 Series

Product Type	Inlet Pressure Bar [Psig]	Outlet Pressure Bar [Psig]	Inlet Pressure Gauge	Outlet Pressure Gauge	Inlet Connection	Outlet Connection	Options
SGL621	04 300 [4350]	07 0 to 20 [300]	00 No Gauge Fitted	00 No Gauge Fitted	000 1/4 NPT Female	00 1/4 NPT Female	A No Options Selected
SGL622		10 0 to 50 [725]		01 bar/PSI	001 1/8 Stainless Steel Compression	01 1/8 Stainless Steel Compression	F Bonnet Vent Capture Kit
		11 0 to 100 [1450]		02 bar/PSI 3.1 Cert (Stainless Steel only) ***	002 1/4 Stainless Steel Compression	02 1/4 Stainless Steel Compression	G Helium Test Certificate
		12 0 to 200 [2900]		10 Plugged port	003 6mm Stainless Steel Compression	03 6mm Stainless Steel Compression	H 3.1 Material Certificate***
		13 0 to 250 [3625]			004 1/4 NPT Male	04 1/4 NPT Male	J NACE Certificate***
						09 Isolation Valve, 1/4 NPT Female, FKM Seal	K Certificate of Conformity (CoC)
						10 Isolation Valve, 1/4 NPT Female, EPDM Seal	L Panel Mount Locking Nut Kit
						11 Isolation Valve, 1/8 Stainless Steel Compression, FKM Seal	P Calibration/Pressure Test certificate
						12 Isolation Valve, 1/8 Stainless Steel Compression, EPDM Seal	X Special Instruction
						13 Isolation Valve, 1/4 Stainless Steel Compression, FKM Seal	
						14 Isolation Valve, 1/4 Stainless Steel Compression, EPDM Seal	
			15 Isolation Valve, 6 mm Stainless Steel Compression, FKM Seal				
			16 Isolation Valve, 6mm Stainless Steel Compression, EPDM Seal				
			17 Isolation Valve, 1/4 NPT Male, FKM Seal				
			18 Isolation Valve, 1/4 NPT Male, EPDM Seal				