

DP-2S/DR-2K

Door phone



DP-2S

Feature :

- 2 wires with non-polarity
- User friendly handset design with convenient hand grip

Specifications :

Power Source : 100/110/120/220/230/240V~, 50/60Hz
 Mount type : Surface-mounted type
 Wiring Call : 2 wires
 Door Release : 2 wires(1.6Ø Copper wire)
 Distance : 100m(0.65Ø) 150m(0.8Ø)
 Dimension(mm) : 108(W)×210(H)×33(61)(D)

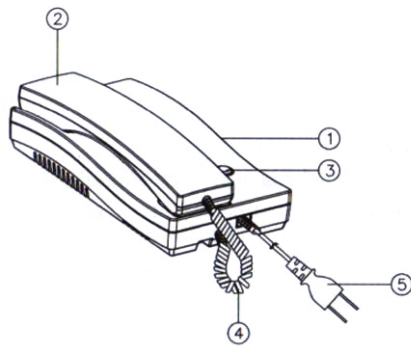


DR-2K



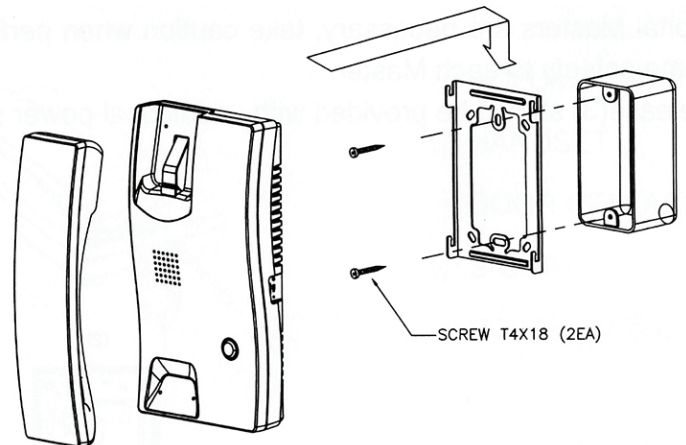
Power source : 9V
 Mount type : Surface-mounted type
 Operation temp : -10°C~+40°C
 Wiring : 2 wires
 Dimension(mm) : 96(W)×128(H)×30(D)

OVERVIEW



1. Volume Control
2. Handset
3. Door Release Button
4. S-Cord
5. Power Cord

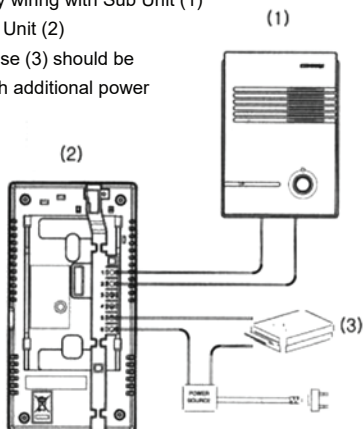
INSTALLATION DIAGRAM



WIRING DIAGRAM

AC220V

- Non polarity wiring with Sub Unit (1) and Master Unit (2)
- Door Release (3) should be provided with additional power source



DIMENSIONS

