

COM12/24 Mk2

User Manual



www.audac.eu

Index

Introduction	5
COM12/24 Block Diagram	6
Precautions	7
Safety requirements	7
Caution servicing	7
EC Declaration of Conformity	7
Waste of Electrical and Electronic Equipment (WEEE)	8
Caution	8
Chapter 1: Pin connections and connectors	9
Connection standards	9
Chapter 2: Front & rear panel	11
Front panel overview	11
Front panel description	11
Rear panel overview	12
Rear panel description	12
Chapter 3: Setting up the system	14
Connecting the loudspeakers	14
Connecting the audio sources	14
Priorities	16
Phantom power	16
Using the priority mute contact	17
Pre-announcement chime selection	17
Chapter 4: Additional information	18
Technical specifications	18
Notes	20

Introduction

Public address amplifiers

The COM12/COM24 public address amplifier was developed as an easy to use, flexible solution for multifunctional use.

During the development of the COM12/COM24, the AUDAC—engineers wanted to achieve four goals:

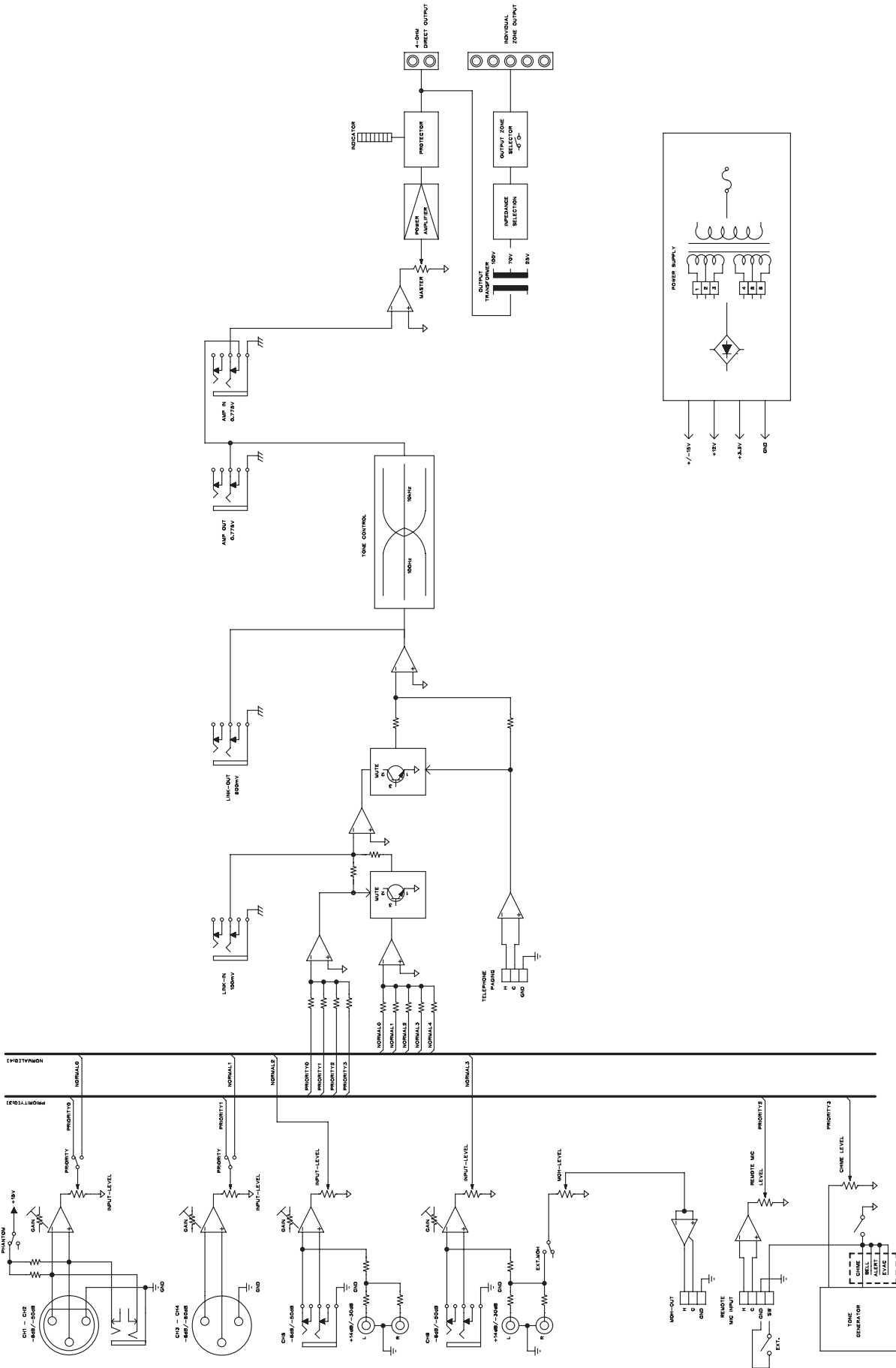
- Delivering a flexible audio solution to control multiple functions
- Easy to use
- Excellent sound quality
- Modern and advanced design

The COM12/COM24 has 2 stereo unbalanced line level inputs, 2 mono balanced line level inputs, 2 mono balanced line level inputs with priority settings and phantom power, 5 high impedance 100V mono output zones, 1 low impedance 4ohm mono output zone, a link input and output, an amp input and pre—amp output, a remote microphone input and the possibility to connect a telephone pager unit.

The COM12/COM24 can be used in commercial applications such as restaurants, hotels, shops, warehouses, professional offices, public buildings, ...

A simple example: when installed in a shop, you could connect: a tuner to play your favorite radiostation, a microphone to make announcements, a telephone pager, ... and off course the doorbell of the shop.

COM12/24 Block diagram



Precautions

READ FOLLOWING INSTRUCTIONS FOR YOUR OWN SAFETY

ALWAYS KEEP THESE INSTRUCTIONS. NEVER THROW THEM AWAY

ALWAYS HANDLE THIS UNIT WITH CARE

HEED ALL WARNINGS

FOLLOW ALL INSTRUCTIONS

NEVER EXPOSE THIS EQUIPMENT TO RAIN, MOISTURE, ANY DRIPPING OR SPLASHING LIQUID. AND NEVER PLACE AN OBJECT FILLED WITH LIQUID ON TOP OF THIS DEVICE.

DO NOT PLACE THIS UNIT IN AN ENCLOSED ENVIRONMENT SUCH AS A BOOKSHELF OR CLOSET. ENSURE THERE IS ADEQUATE VENTILATION TO COOL THE UNIT. DO NOT BLOCK THE VENTILATION OPENINGS.

DO NOT STICK ANY OBJECTS THROUGH THE VENTILATION OPENINGS.

DO NOT INSTALL THIS UNIT NEAR ANY HEAT SOURCES SUCH AS RADIATORS OR OTHER APPARATUS THAT PRODUCE HEAT

DO NOT PLACE THIS UNIT IN ENVIRONMENTS WHICH CONTAIN HIGH LEVELS OF DUST, HEAT, MOISTURE OR VIBRATION

THIS UNIT IS DEVELOPED FOR INDOOR USE ONLY. DO NOT USE IT OUTDOORS

PLACE THE UNIT ON A STABLE BASE OR MOUNT IT IN A STABLE RACK

ONLY USE ATTACHMENTS & ACCESSORIES SPECIFIED BY THE MANUFACTURER

UNPLUG THIS APPARATUS DURING LIGHTNING STORMS OR WHEN UNUSED FOR LONG PERIODS OF TIME

ONLY CONNECT THIS UNIT TO A MAINS SOCKET OUTLET WITH PROTECTIVE EARTHING CONNECTION



CAUTION – SERVICING

This product contains no user serviceable parts. Refer all servicing to qualified service personnel. Do not perform any servicing (unless you are qualified to)



EC DECLARATION OF CONFORMITY

This product conforms to all the essential requirements and further relevant specifications described in following directives: 2004/108/EC (EMC) and 2006/95/EC (LVD)



WASTE ELECTRICAL AND ELECTRONIC EQUIPMENT (WEEE)

The WEEE marking indicates that this product should not be disposed with regular household waste at the end of its life cycle. This regulation is created to prevent any possible harm to the environment or human health.

This product is developed and manufactured with high quality materials and components which can be recycled and/or reused. Please dispose this product at your local collection point or recycling centre for electrical and electronic waste. This will make sure that it will be recycled on an environmentally friendly manner, and will help to protect the environment in which we all live.

CAUTION

The symbols shown are internationally recognized symbols that warn about potential hazards of electrical products. The lightning flash with arrowpoint in an equilateral triangle means that the unit contains dangerous voltages. The exclamation point in an equilateral triangle indicates that it is necessary for the user to refer to the users manual.



These symbols warn that there are no user serviceable parts inside the unit. Do not open the unit. Do not attempt to service the unit yourself. Refer all servicing to qualified personnel. Opening the chassis for any reason will void the manufacturer's warranty. Do not get the unit wet. If liquid is spilled on the unit, shut it off immediately and take it to a dealer for service. Disconnect the unit during storms to prevent damage.

Chapter 1

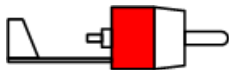
Pin connections and connectors

CONNECTION STANDARDS

The in- and output connections for AUDAC audio equipment are performed corresponding to international wiring standards for professional audio equipment.

RCA (Cinch):

For unbalanced line input connections.



Tip: Signal
White: Left

Sleeve: Ground
Red: Right

XLR:

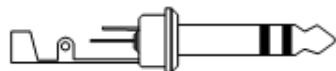
For balanced signal input connections



Pin 1: Ground
Pin 2: Signal +
Pin 3: Signal -

6.3 mm (1/4") balanced Jack:

For balanced line in & output connections.



Tip: Signal +
Ring: Signal -
Sleeve: Ground

6.3 mm (1/4") unbalanced Jack:

For unbalanced line in & output connections.



Tip: Signal
Sleeve: Ground

Chapter 2

Front & rear panel

Front panel overview



Front panel description

The front panel for both COM12 and COM24 amplifiers is identical and enables you to control the level for every input and the overall output volume. A two band tone control is provided for the main output, allowing adjustment of the overall system frequency response while zone (output) switches allows enabling / disabling of the different speaker zone outputs.

Input level controls:

Using the input level controls, the individual level for each connected input can be set. This way, multiple inputs can be mixed with each other between zero and maximum level.

Chime:

When pressing the chime button, the selected chime tone as pre-announcement for paging will be played once (identical as a contact closure on remote mic 'SW' terminal on rear panel). How the selection for this pre-announcement tone can be done, is described in a later chapter of this instruction manual.

Two band tone control:

Using the bass and treble rotary dials, the overall system frequency response can be adjusted within a range of ± 12 dB. The level will be increased while clockwise rotating, while counter-clockwise will result in a level decrease. In center position, both dials are set to neutral level.

Master volume control:

Using the master volume control, the overall system volume will be adjusted in a range between minimum and maximum level.

LED indicators:

The current system operation is indicated on the 7 digit LED bar graph. The bottom LED is the power indicator which illuminates in blue colour when the system is switched on. The 5 LED's above monitor the current output level within a range of -20 dB and $+3$ dB, while the upper protect LED (red) illuminates when the system is in protect mode (some failure / overload on the outputs occurred). All outputs will be muted when this LED illuminates.

Zone 1–5 (output) switches:

The different connected loudspeaker lines (1–5) can be switched on and off by pressing the switches with the corresponding numbers. When the 'All' switch is pressed, all loudspeaker outputs will be enabled.

Rear panel overview



Rear panel description

The rear panel for both COM12 and COM24 is identical and contains all connection and configuration controls. Configuration controls include the settings which should be made once when setting up the system and doesn't have to be changed by the user afterwards.

Power inlet:

The AC power inlet is implemented on the COM12/24 series amplifiers using a fixed lead with fixed plug, depending of the amplifier region. (CEE 7/7 for EU, type G for UK, ...) A fuse holder with mains fuse is located on top of the power inlet. When replacing the fuse, make sure the replacement matches the specifications of the original fuse. (T2AL/250V for COM12 & T4AL/250V for COM24)

Loudspeaker output connections (Terminal block connectors):

Output connections for both low impedance and constant voltage distributed audio systems are provided. The low impedance loudspeaker output is connected using a 2–pin terminal block, while different zone (1–5) outputs are provided on a 10–pin terminal block connector. More information about loudspeaker output connections is described in a further chapter of this instruction manual.

Amp in & pre–amp out connections (6.3 mm jack connectors):

These connections can be used for connecting external equalizers & effect processors. The pre–amp out is connected after the pre–amplifier section of the COM amplifier and the amp–in connection is inserted before the power amplifier section. When adding an external equalizer or effect processor between these connections, the internal 2–band tone control will be overruled.

Link in & link out connections (6.3 mm jack connectors):

These connections can be used when expanding your system by adding a second COM amplifier in your system. Connect the 'link in' connection of the second amplifier with the 'link out' of the master amplifier in your setup.

Balanced line / mic inputs 1 & 2 (combination 6.3 mm jack & XLR):

Channels 1 and 2 are implemented using combination connectors accepting both XLR and 6.3 mm jack plugs. The gain for these inputs is adjustable within a range of -6 dB and -50 dB which can accept either microphone or line level signals. A priority switch on top of both inputs will mute all other channels when a signal is present on the connected microphones / inputs. Phantom power switches enable 15 Volts phantom power for powering condenser microphones when connected. Switch 1 will enable phantom power to channel 1, while switch 2 enables phantom power to channels 2, 3 and 4 simultaneously.

Balanced line / mic inputs 3 & 4 (XLR):

Channels 3 and 4 are implemented using XLR connectors. The gain for these inputs is adjustable within a range of -6 dB and -50 dB which can accept either microphone or line level signals.

Unbalanced line / balanced mic inputs 5 & 6 (RCA & 6.3 mm jack):

Channels 5 and 6 are implemented using both RCA and 6.3 mm jack connections. Selection can be made whether a stereo line input is connected using RCA connections or a microphone is connected using 6.3 mm jack connections. The gain for the line (RCA) input is adjustable within a range of $+14$ and -30 dB, while the gain for the mic (6.3 mm jack) input is adjustable within a range of -6 and -50 dB.

Remote mic (Terminal block):

A remote paging microphone can be connected to this 4-pin terminal block connector while the input sensitivity can be adjusted using the trim potentiometer located above it. This remote microphone input has priority over other inputs. More details regarding priorities are described in a further chapter of this manual. The balanced input microphone connections should be made to the 'H' (Hot or Signal +), 'C' (Cold or Signal -) and 'G' (Ground) terminals. Using the 'SW' terminal, a pre-announcement chime will be played when a contact closure is made with the 'G' (Ground) terminal.

Tele-paging (Terminal block):

The amplifier can be connected to any business telecom system using the tele-paging input, allowing announcements to be made from any handset. It is a line level input with priority, to be connected to the line output of the telecom system. Balanced input connections should be made to the 'H' (Hot or Signal +), 'C' (Cold or Signal -) and 'G' (Ground) terminals.

System muting (except tele-paging) can be achieved by a contact closure between the 'EXT MUTE' contacts. This can be useful for overall system muting, in situations where a fire-alarm or other priority system has a contact output for muting background music systems.

Music on hold (Terminal block):

The music on hold connection allows the COM amplifiers being used in combination with a business telephone system, having background music from an external source when the call is placed on hold. The signal inserted on channel 6 (EXT MOH) will be available on this output. The level can be adjusted using the trimmer located on top of it.

Chapter 3

Setting up the system

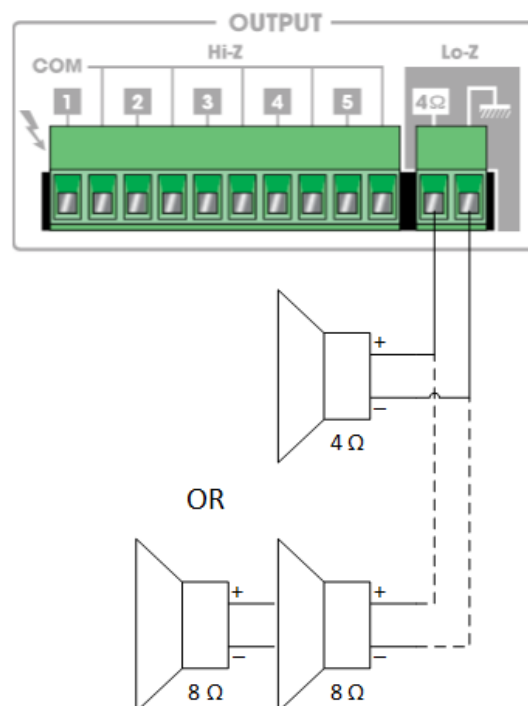
ATTENTION

Make sure the power of the device is turned OFF before any connections or wiring adjustments are made. Disregarding this rule can lead to permanent damage of the equipment.

1) Connecting the loudspeakers

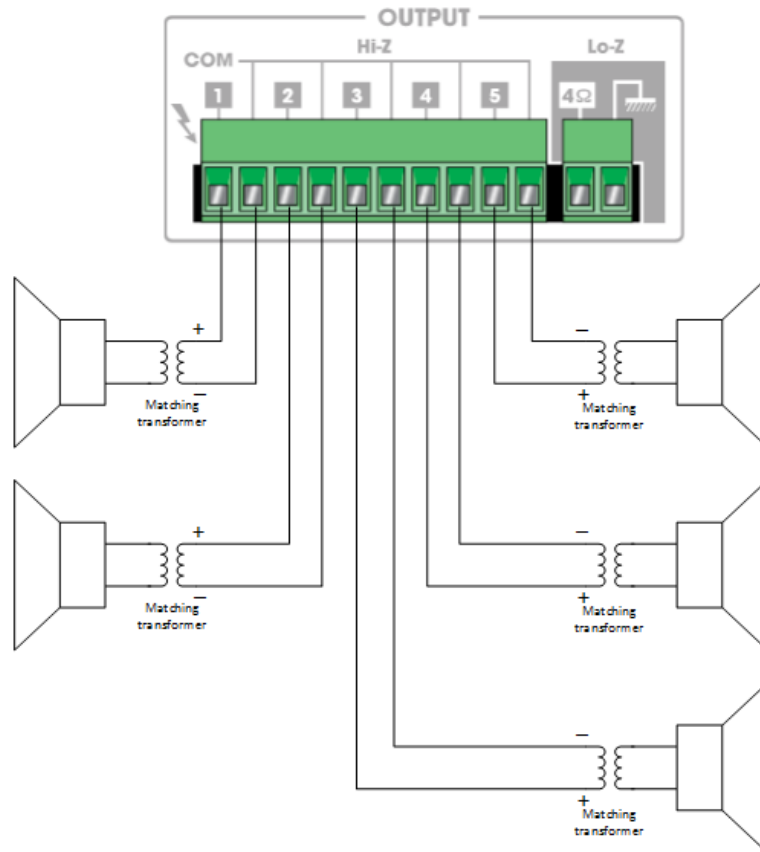
The loudspeakers should be connected to the euro terminal block connectors on the back panel of the device. First, the decision should be made which kind of loudspeakers will be used, between low impedance (4 Ohm) or constant voltage (100V / 70V / ...) depending on the projects requirements. It is only possible to use one (either constant voltage or low impedance) of both options at a time.

For operating using the low impedance (4 ohm) output, any loudspeaker with a minimum impedance load of 4 ohms (that is 4 ohms or greater) can be used.



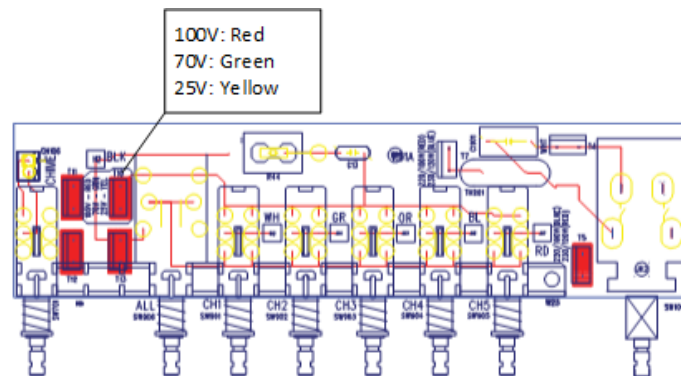
Example diagram low impedance connections

For operating using constant voltage (100V / 70V / ...) audio distribution systems, the positive output should be connected to the positive terminal of the loudspeakers, while the negative terminal of the speaker should be connected to the COM (ground) terminal of the amplifier.



Example diagram constant voltage connections

The constant voltage output is standard set to 100 Volts, but can be adjusted to 70 Volts or 25 Volts depending of the country requirements. These adjustments can be made through re-plugging internal transformer wires on the output selection PCB (including the zone selection switches) on front of the amplifier. Following image shows which transformers wires should be connected to the related terminal for the corresponding voltages.



	T10	T11	T12	T13
100V	RED wire	GREEN wire	YELLOW wire	BLACK wire
70V	GREEN wire	YELLOW wire	RED wire	BLACK wire
25V	YELLOW wire	RED wire	GREEN wire	BLACK wire

2) Connecting the audio sources

The next step is making the signal input connections. Depending of the type, connection and output level of the available audio sources they should be plugged into the matching channel / connection.

Before connecting, turn all the channel input and master volume controls on the front panel of the amplifier fully counterclockwise (to their minimum setting) and put the gain control trimmers on the rear panel in a central position. Then connect all the available sources to their corresponding channels and switch on the power of the amplifier and all the connected audio sources. The power and protection LED will light-up now. After approximately five seconds, the protection LED will stop illuminating (a click will be heard when this occurs)

Apply a signal to the inputs as it will be used in normal operation circumstances and turn the channel input level control up about 50%. Slowly raise the master volume control till a certain level until the desired sound level is achieved. Depending of the output level of the connected music sources, the input gain might need adjustment. Adjust these trimmers on the rear panel until the desired level is achieved.

For the best signal to noise ratio, the COM series amplifier should run in normal circumstances with the master level control near maximum position and the peak indicator (+3 dB) of the VU meter on front should light occasionally (but not frequently) during peak levels. If the signal is too loud or distorted, use the input level controls to attenuate as necessary to achieve the desired speaker level.

3) Priorities

Channel 1 and 2 contain a priority switch, whereby the priorities for the corresponding channels can be enabled or disabled. When the priority is switched 'ON', other input channels will be muted in case a signal is present on the corresponding input.



In addition to the priority muting on channels 1 and 2, some priorities are available which are always active. They are set in four different levels in the following order:

- 1) Chime & tele-paging (highest priority)
- 2) Remote mic
- 3) Channels 1 and 2 (priority enabling by switch)
- 4) Channels 3 to 6 (no priority)

If a tele-paging call occurs or the chime switch is pressed, all other inputs are muted. If a signal is present on the remote mic input, channels 1 to 6 will be muted. Signals with the same priority level will stay on simultaneously.

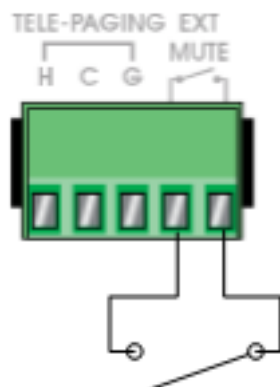
4) Phantom power

Channel 1 to 4 contain the possibility for supplying 15 Volts phantom power for powering condenser microphones. Enabling of the phantom power can be done by the switches located above channel 1 & 2 connections. The first switch is only effective on channel 1, while the second switch enables phantom power for channels 2 to 4.

5) Using the priority mute contact

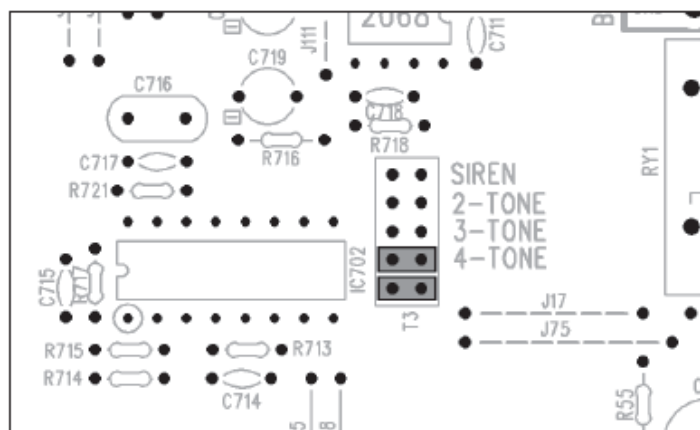
A priority mute contact connection is implemented along the tele-paging input. This input allows complete muting of background music at presence of a contact closure between both terminals. It has the same priority level as the tele-paging input, meaning that all inputs except tele paging and chime will be muted.

This contact is convenient for situations where a for example a separate emergency system is installed and complete background music muting is required at occasion of a fire alarm. The emergency system contact outputs can be linked to this contact input.



6) Pre-announcement chime selection

A pre-announcement chime will be heard when the 'Chime' button on the front panel is pressed or a contact closure between 'G' and 'SW' terminals of the remote mic input is made. This pre-announcement chime can be selected out of four different tones, whereof one siren and three chime tones. This selection can be done through changing jumper settings internally in the device.



Chapter 4

Additional information

Technical specifications

RMS Output Power (1 kHz, THD 1%)	COM12 COM24	120 Watt 240 Watt	
Frequency response		20 Hz – 20 kHz	
Signal to Noise Ratio		> 90 dB	
THD+N		< 0.5%	
Common Mode Rejection		70 dB	
Crosstalk		> 70 dB	
Inputs	Channel 1–4	Type Sensitivity Connectors Phantom power Priority	4 x Balanced mic / line –6 dB ~ –50 dB 2 x XLR/Jack combo & 2 x XLR 15 V DC (4x) Yes (2x – Channel 1 & 2)
	Channel 5–6	Type Sensitivity Connectors	2 x Stereo line +14 dB ~ –30 dB RCA
	Channel 5–6	Type Sensitivity Connectors	2 x Balanced mic / line –6 dB ~ –50 dB 6.3 mm jack
	Remote mic	Type Connectors	Priority mic input 4–pin terminal block ~ 3.5 mm
	Tele–paging	Type Connectors	Priority line input 5–pin terminal block ~ 3.5 mm
Outputs	Voltage / Impedance		4Ω / 22V 100 Volt (83.3Ω/COM12 – 41.7Ω/COM24) 70 Volt (41.7Ω/COM12 – 20.8Ω/COM24) 25 Volt (5.2Ω/COM12 – 2.6Ω/COM24)
	Connectors		2–pin terminal block (4Ω) ~ 5.08 mm 10–pin terminal block (100V) ~ 5.08 mm
Indicators		Power Protect –20 dB / –10 dB / –4 dB / 0 dB / +3 dB	
Protection		DC–Short Circuit Over Heating Over Load Limiter	

Cooling system		Convection cooled
Amplifier technology	COM12 COM24	Class A/B Class D
Power supply	Type Range	Transformer 230 V AC / 50 ~ 60 Hz

