

**BENCH TOP
RING MILL**



ROCKLABS BENCHTOP RING MILL



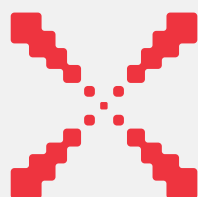
Big inputs and accurate outputs for seriously reliable results.

The Bench Top Ring Mill is a quiet and efficient pulveriser, small and compact enough to fit on a work bench. With a noise level of less than 80dBA and very low contamination of samples the ring mill can be used for pulverising a variety of material.

Operation is easy and trouble free pulverising material from 1g-100g for subsequent analysis by instrumental methods or wet chemistry. Although the recommended sample size is 2-5mm the ring mill accepts samples up to 8mm.

Benefits:

- Small and compact
- Very low contamination of samples
- Low maintenance
- Quiet operation



Motor Power	0.18kW, 3 phase or single phase
Maximum Input Particle Size	Recommended 2-5mm sample, 8mm maximum.
Product Size	Typically 95% <75µm
Sample Size	1g - 100g

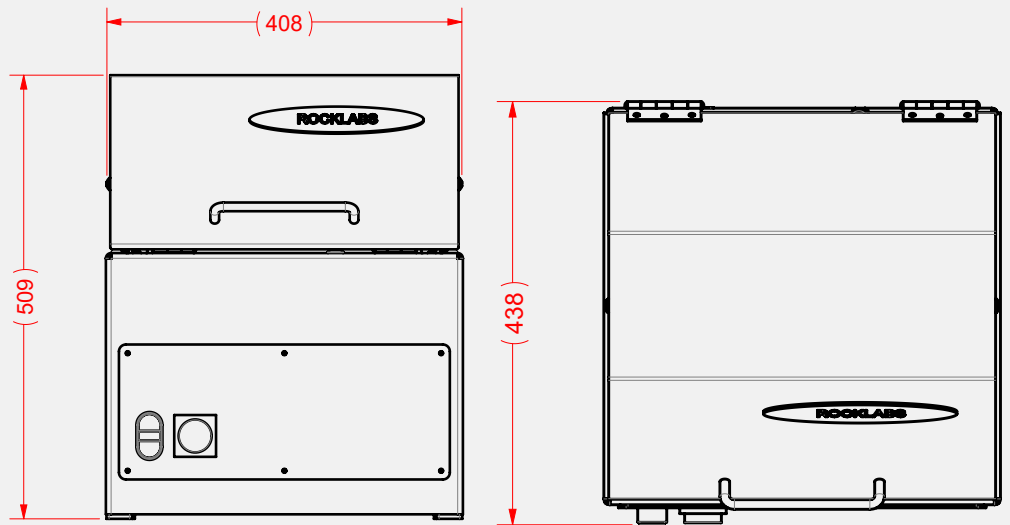
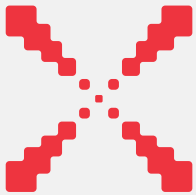
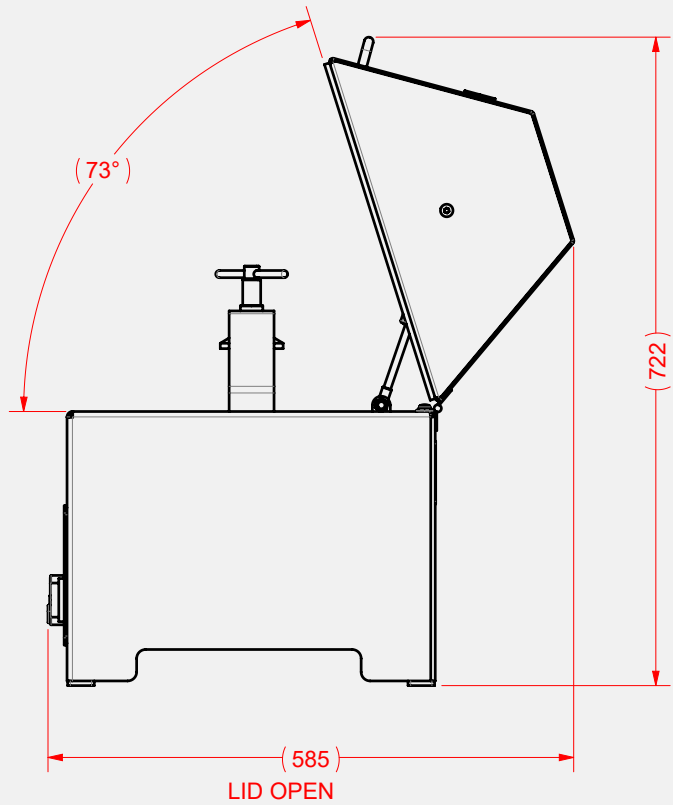


Voltage Supply	Phase	Frequency	Amps	kW
110 - 120V	1Ph	50/60Hz	2.4A	0.18kw
208 - 240V	1Ph/3Ph	50/60Hz	1.2A	0.18kw



Shipping		Headset Options	
Height	700mm	Carbon/Chrome	40
Width	590mm	Tungsten Carbide	40
Depth	580mm	Zirconia	40
Weight	80kg		

ROCKLABS BENCHTOP RING MILL



Powered by Scott for worldwide support.

Rocklabs Bench Top Ring Mill is sold with a 2000 operating hours or one year warranty (whichever comes first), covering all parts (excluding wear parts) and labour if used under normal laboratory conditions.