

**BOYD ELITE
RSD**



**ROCKLABS
BOYD ELITE
RSD**



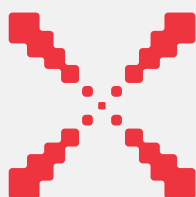
Big inputs and accurate outputs for seriously reliable results.

The ROCKLABS BOYD Elite is the world's first double-acting fine jaw crusher, employing jaws that can hold up to 5kg of sample and crush a 70mm sample to 2mm in a single pass.

Featuring top and bottom moving jaws, the design of the Rocklabs BOYD Elite delivers the maximum amount of crushing, reducing samples by 35 times the original size. Characterised by ease of maintenance and cleaning and equipped with stringent safety mechanisms as standard, the BOYD Elite reduces the time and cost associated with the crushing process.

Benefits:

- Input Size - up to 5kgs of sample
- Low Maintenance
- Minimal Down Time
- Improved Dust & Chip Control
- Health & Safety Improvements
- High Chrome Iron wear plates resistant to abrasion



Electrical

| Voltage VAC | Phases | Frequency Hz | Current A | Power kW |
|-------------|----------------|--------------|-----------|----------|
| 208-240 | 3 Phase 4 wire | 60 | 23 | 6.5 |
| 380-415 | 3 Phase 4 wire | 50/60 | 19 | 6.5 |
| 440-480 | 3 Phase 4 wire | 60 | 19 | 6.5 |

Dust Extraction

| | Minimum | Maximum |
|-----------|--|--|
| Flow Rate | 6.97m ³ /min (245 foot ³ /min) | 7.97m ³ /min (280 foot ³ /min) |

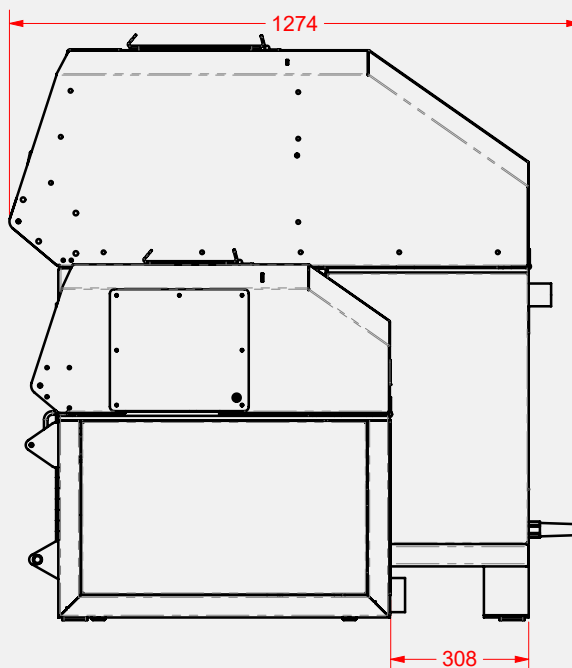
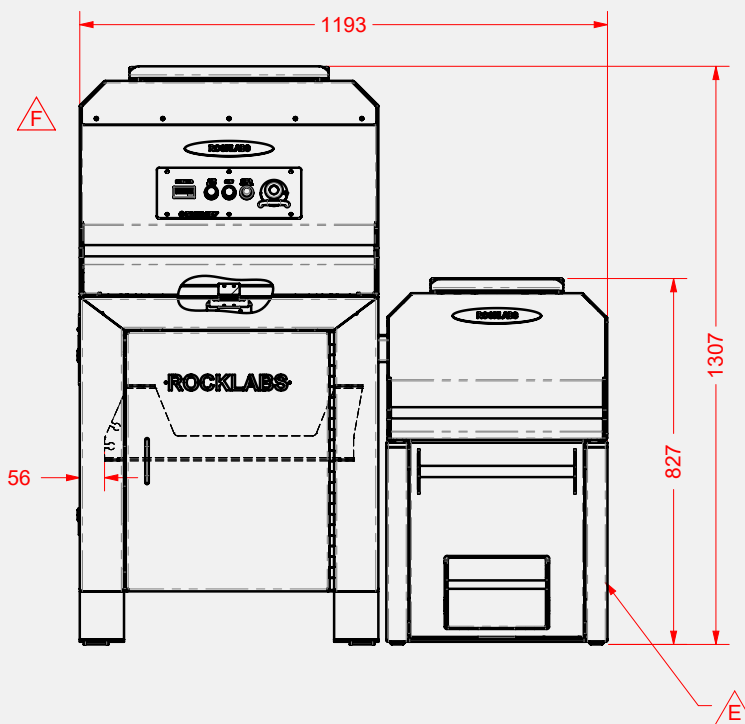
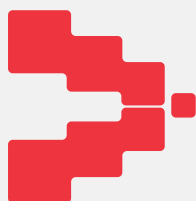
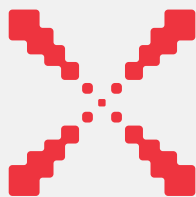


| | Boyd Elite | Environmental Limitations | | |
|------------|--------------|---------------------------|------------|--------------|
| | | Minimum | Maximum | |
| Input Size | 70mm | Temperature | 0°C | 45°C |
| Output | 2mm | Humidity | 5% | 95% |
| Jaw Width | 300mm | Altitude | 0m | 2000m |
| Capacity | 5kg | | | |



| | Product | Shipping |
|--------|---------------|---------------|
| Height | 1307mm | 1520mm |
| Width | 1198mm | 1330mm |
| Depth | 1274mm | 1330mm |
| Weight | 741kg | 935kg |

**ROCKLABS
BOYD ELITE
RSD**



Powered by Scott for worldwide support.

ROCKLABS BOYD Crusher is sold with a 3000 operating hours or 18 month warranty (whichever comes first), covering all parts (excluding wear parts) and labour if used under normal laboratory conditions.