



# MITSUBISHI

## FORKLIFT TRUCKS



**4.0 ton 4.5 ton**  
**5.0 ton**



# MITSU

## *A Revolutionary Forklift Truck for Professionals*

---

### **Environment Friendly Engine**

Electronic controlled gasoline engine with 3-stage catalytic muffler.  
The diesel engine conforms to the European Union (EU) Tier-two Emission Regulations.

### **Mast Design for Improved Visibility**

Increased width of mast improves forward visibility.

### **Newly Designed Safety Seat**

Embedded with a seat switch for transmission interlock safety feature  
similar to Grendia.

### **New Body Design with Lower Center of Gravity**

Provides high levels of safety even with the optional equipment attached.

### **High-efficiency Cooling System**

Optimal positioning of the fan and muffler,  
coupled with a wide cooling outlet in the counterweight ensure high cooling efficiency.

---

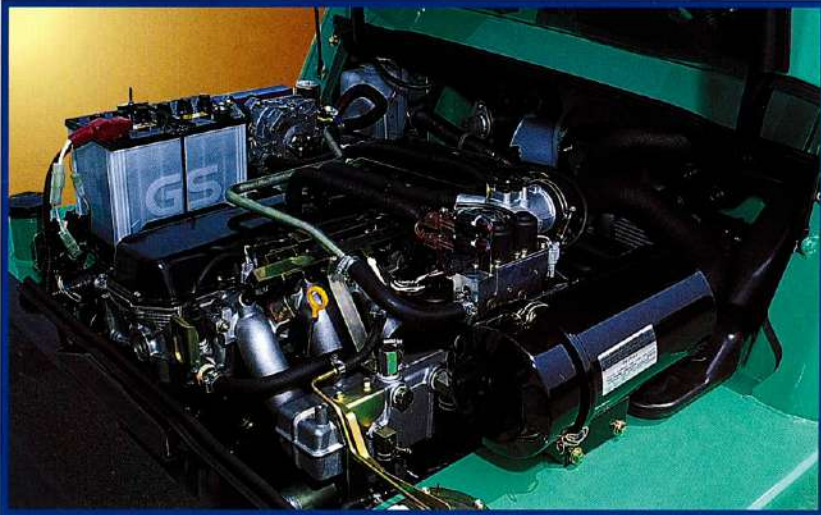


# MITSUBISHI





# Mitsubishi's New Bringing Strength



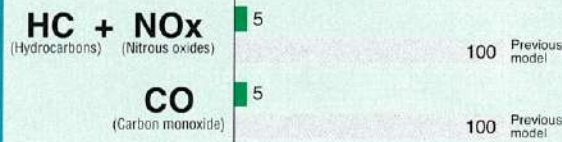
## TB45 Gasoline Engine

**CO·HC·NOx**

**Reduced by more than 90%  
compared with previous model**

Displacement: 4,500 cm<sup>3</sup>  
Rated output: 72 kW (97.5 ps)/2,450 rpm  
Maximum torque: 280 Nm (29 kgm)/1,200 rpm

<Comparison of Discharge Gas with Previous Gasoline Engine Model>



\*Measurement by Mitsubishi FG40K

## Electronic Controlled Gasoline Engine with 3-Stage Catalytic Muffler

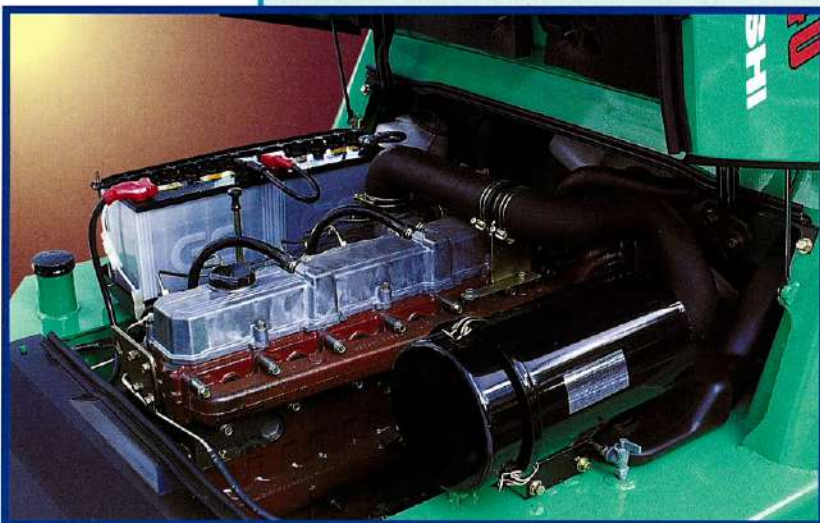
The new TB45 engine is an electronic controlled gasoline engine with 3-stage catalytic muffler, and is the first in its class. It features clean discharge, as well as higher power that has not been achieved by any previous forklift trucks before.

## Swirl-Chamber Diesel Engine

Powerful, in-line, 6-cylinder diesel engines deliver hard working performance in the most demanding application. The S6S diesel engine is a world class diesel engine that conforms to European Union (EU) Tier-two Emission Regulation.

## High Power Model for Tougher Tasks (Optional for Diesel Forklift Trucks)

Adding the high-power option to diesel-engine forklift trucks (rated output: 95 ps, max. torque: 28.9 kgm) enhances machine capabilities to meet the most demanding applications in any work place.



## S6S Diesel Engine

**Exceed EU Tier-two Emission  
Regulations**

Displacement: 4,996 cm<sup>3</sup>  
Rated output: 62.5 kW (85 ps)/2,450 rpm  
Maximum torque: 250 Nm (25.5 kgm)/1,600 rpm



# 4.0- to 5.0-ton Forklift Trucks and Speed to Operations

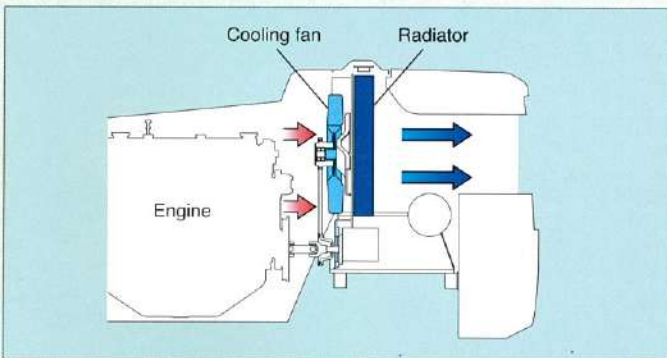
## Low Center of Gravity Extra stability

New body is designed with lower center of gravity, and has no weight reduction up to the lifting height of 5 meters for all models with 2-stage mast. It assures extra stability and is ideal for heavy-duty operation, even with optional equipment attached.



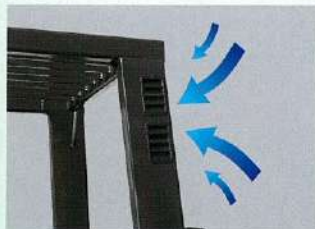
## High-efficiency Cooling System Excellent Heat Balance

To reduce the risk of overheating, Mitsubishi forklift truck engineers have increased the area of the radiator core by 10% and broadened the cooling outlet in the counterweight. These improvements, coupled with optimal positioning of the cooling fan and muffler, provide excellent heat balance and high efficiency in cooling.



## Upper Air Intake

An upper air intake guarantees full engine performance even in severe operating conditions.





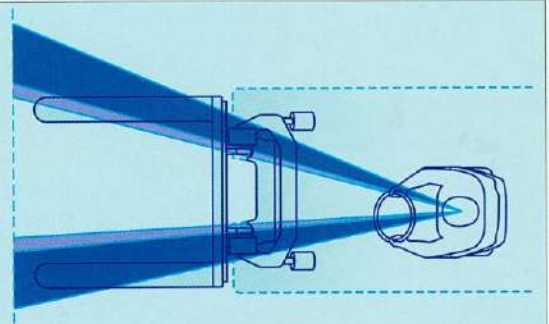
# Professional Forklift Trucks Delivering High Operational Quality

## Wide Forward View High-Visibility Mast Design

The Mitsubishi tradition of high forward visibility. Optimal positioning of the mast, cylinder, and chain improve operability and safety without sacrificing the high rigidity of the machine. In addition, the widened view through the carriage promises excellent fork-tip visibility.



Forward Visibility  
**12.0%**  
improvement



## Comfortable Seat Designed for Safety

Operators can position loads optimally with the easy use of the reclining function, the weight adjustment knob, and the horizontal slide system.

- Weight adjustment by turn knob
- Horizontal slide travel adjustment
- Full suspension
- Document pouch
- Seatbelt



## Electric Directional Change Lever for Easier Handling (Powershift Transmission Models)

Operators can control forward and reverse movement easily with the electric directional change lever – their hands never have to leave the steering wheel. Two-speed automatic transmission is a standard feature on 5-ton forklift trucks (optional on 4.0- to 4.5-ton vehicles).







## Soft Landing

When the forks are lowered and approach ground level, the lowering speed is slowed down automatically. The load is protected from the shock of hitting the ground.  
(2-stage masts only)



## Infinitely Adjustable Tilt Steering Column adjusts to Operator Preferences

Mitsubishi's tilt-steering mechanism lets operators adjust steering to their preferred angle of operation. This infinite adjustment device allows setting of optimal operating positions.



## Effortless Clutch Pedal Control (Manual Transmission Models)

Increased power assistance reduces the force required to depress the clutch by 50%, easing gearshifts effort and reducing operator fatigue.



Operating Force  
(vs. previous model)  
**50% reduced**

## Superior Pedal Position (Powershift Transmission Models)

In pursuit of the smooth operability, convenient foot layout, and easy pedal operation.

The pedal positions are easy to use for everyone.



## Wide Floor Area

Redesign of the operator compartment has created a full 630 mm of floor space, making it easier for operators to get in and out of the compartment.

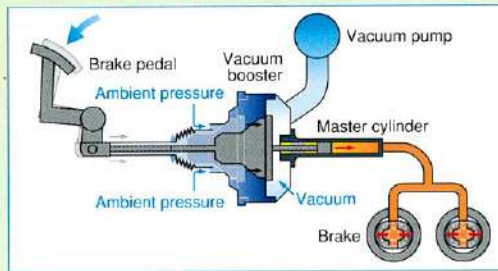




# Safety Mechanisms for Operator Peace of Mind

## Vacuum Booster Brake System

The vacuum booster device operates independent of engine rotation. Differing from hydraulic braking mechanisms, braking power on this forklift truck is possible even after the engine has been shut off.



## Neutral Safety Mechanism

With the neutral safety mechanism available on powershift transmission models (option on manual transmission models), the engine cannot be started unless the directional change lever is in the neutral position.



## Transmission Interlock

A proven safety feature on the Mitsubishi's 1.0 - 3.5 ton forklift trucks. It comes with a newly designed seat with a seat-switch embedded for detecting the presence of the operator. If the operator is not seated, the transmission will not engaged.

## Easy Maintenance

### Easy-to-open Engine Hood Easy access to engine

The fully openable engine hood uses a gas-filled cylinder to open at a single touch, making maintenance easier.



### Split-type Radiator Cover for Easy Access

The split-type radiator cover facilitates maintenance. The optional dustproof net is also easily removable.



dustproof net (optional)

## New Options

### LPG Tank Bracket (for LPG-powered Forklift Trucks)

A swing down tank bracket is available to ease the onerous task of changing LPG tanks.   
○The tank is low to the ground for easy attachment and detachment, reducing operator fatigue.



## Standard Equipment

		Gasoline engine models		Diesel engine models	
		Powershift	Manual	Manual	Powershift
Compartment	Tilt steering column	●	●	●	●
	Full hydraulic steering system	○	○	○	○
	Comfortable seat	●	●	●	●
	Electric directional change lever	●	—	●	●
	Instrument panel	●	●	●	●
	Anti-restarter	●	●	●	●
	Neutral safety system	●	○	●	●
	Front headlights	●	●	●	●
	Shielded rear combination light	●	●	●	●
	Head guard with rain protector	●	●	●	●
	Hand grab bar	●	●	●	●
	Toggle parking brake	●	●	●	●
	Power-assist brakes	●	●	●	●
	Power-assist clutch	—	●	—	—
Inching pedal	●	—	●	●	

		Gasoline engine models		Diesel engine models	
		Powershift	Manual	Manual	Powershift
Mast	Wide-view mast	●	●	●	●
	Soft landing lift cylinder	●	●	●	●
	Down safety valve	●	●	●	●
	Front flush configuration	●	●	●	●
Engine/Motors	3-stage catalytic muffler	●	—	—	—
	Cyclone air cleaner	●	●	●	●
	Upper air intake	●	●	●	●
	Torque converter cooler	●	—	●	●
Body	Two speed automatic transmission (standard on 5-ton models)	○	—	○	○
	Gas-assist fully-openable engine cover	●	●	●	●
	Split-type radiator cover	●	●	●	●
	Wide floor	●	●	●	●
	Low fully openable step	●	●	●	●

● Standard ○ Optional



# Capacity Table

## ● Simplex mast, single/dual/special dual tires

Lifting Height	Tilt Angle	FD (G) 40K									FD (G) 40KL								
		Capacity						Overall Height			Capacity						Overall Height		
		500 mm load center			600 mm load center			Lifted			500 mm load center			600 mm load center			Lifted		
mm	degrees	kg	kg	kg	kg	kg	kg	with Backrest	without Backrest	Lowered	kg	kg	kg	kg	kg	kg	with Backrest	without Backrest	Lowered
3000	6-12	4000	4000	4000	3500	3500	3500	4130	3930	2170	4500	4500	4500	4000	4000	4000	4130	3930	2170
3300	6-12	4000	4000	4000	3500	3500	3500	4430	4230	2320	4500	4500	4500	4000	4000	4000	4430	4230	2320
3500	6-12	4000	4000	4000	3500	3500	3500	4630	4430	2420	4500	4500	4500	4000	4000	4000	4630	4430	2420
3700	6-12	4000	4000	4000	3500	3500	3500	4830	4630	2520	4500	4500	4500	4000	4000	4000	4830	4630	2520
4000	6-12	4000	4000	4000	3500	3500	3500	5130	4930	2700	4500	4500	4500	4000	4000	4000	5130	4930	2700
4500	6-6	4000	4000	4000	3500	3500	3500	5630	5430	3000	4500	4500	4500	4000	4000	4000	5630	5430	3000
5000	6-6	3900	3900	3900	3500	3500	3500	6130	5930	3250	4500	4500	4500	4000	4000	4000	6130	5930	3250
5250	6-6	3800	3800	3800	3000	3400	3400	6380	6180	3350	4000	4200	4200	3600	3950	3950	6380	6180	3350
5500	6-6	2800	3600	3600	2400	3300	3300	6630	6430	3500	3600	4000	4000	3200	3900	3900	6630	6430	3500
6000	6-6	2200	3400	3400	2000	3200	3200	7130	6930	3750	2700	3700	3700	2500	3700	3700	7130	6930	3750

Lifting Height	Tilt Angle	FD (G) 45K									FD (G) 50K								
		Capacity						Overall Height			Capacity						Overall Height		
		500 mm load center			600 mm load center			Lifted			600 mm load center			Lifted					
mm	degrees	kg	kg	kg	kg	kg	kg	with Backrest	without Backrest	Lowered	kg	kg	kg	kg	kg	kg	with Backrest	without Backrest	Lowered
3000	6-12	5000	5000	5000	4500	4500	4500	4130	3890	2250	5000	—	5000	4290	4030	2250			
3300	6-12	5000	5000	5000	4500	4500	4500	4430	4190	2400	5000	—	5000	4590	4330	2400			
3500	6-12	5000	5000	5000	4500	4500	4500	4630	4390	2500	5000	—	5000	4790	4530	2500			
3700	6-12	5000	5000	5000	4500	4500	4500	4830	4590	2600	5000	—	5000	4990	4730	2600			
4000	6-12	5000	5000	5000	4500	4500	4500	5130	4890	2850	5000	—	5000	5290	5030	2850			
4500	6-6	5000	5000	5000	4500	4500	4500	5630	5390	3100	5000	—	5000	5790	5530	3100			
5000	6-6	5000	5000	5000	4500	4500	4500	6130	5890	3350	5000	—	5000	6290	6030	3350			
5250	6-6	4200	4600	4600	4100	4450	4450	6380	6140	3450	4500	—	4900	6540	6280	3450			
5500	6-6	3600	4400	4400	3200	4400	4400	6630	6390	3600	3200	—	4800	6790	6530	3600			
6000	6-6	2700	3700	3700	2500	3700	3700	7130	6890	3850	2500	—	3700	7290	7030	3850			

## ● Duplex mast, single/dual/special dual tires

Lifting Height	Tilt Angle	FD (G) 40K									FD (G) 40KL								
		Capacity						Overall Height			Capacity						Overall Height		
		500 mm load center			600 mm load center			Lifted			500 mm load center			600 mm load center			Lifted		
mm	degrees	kg	kg	kg	kg	kg	kg	with Backrest	without Backrest	Lowered	kg	kg	kg	kg	kg	kg	with Backrest	without Backrest	Lowered
2860	6-12	4000	4000	4000	3500	3500	3500	3990	3810	2100	4500	4500	4500	4000	4000	4000	3990	3810	2100
3000	6-12	4000	4000	4000	3500	3500	3500	4130	3950	2170	4500	4500	4500	4000	4000	4000	4130	3950	2170
3300	6-12	4000	4000	4000	3500	3500	3500	4430	4250	2320	4500	4500	4500	4000	4000	4000	4430	4250	2320
3700	6-12	4000	4000	4000	3500	3500	3500	4830	4650	2520	4500	4500	4500	4000	4000	4000	4830	4650	2520
4060	6-12	4000	4000	4000	3500	3500	3500	5190	5010	2700	4500	4500	4500	4000	4000	4000	5190	5010	2700

Lifting Height	Tilt Angle	FD (G) 45K									FD (G) 50K								
		Capacity						Overall Height			Capacity						Overall Height		
		500 mm load center			600 mm load center			Lifted			600 mm load center			Lifted					
mm	degrees	kg	kg	kg	kg	kg	kg	with Backrest	without Backrest	Lowered	kg	kg	kg	kg	kg	kg	with Backrest	without Backrest	Lowered
2680	6-12	5000	5000	5000	4500	4500	4500	3810	3580	2100	5000	—	5000	3960	3710	2100			
2970	6-12	5000	5000	5000	4500	4500	4500	4100	3870	2250	5000	—	5000	4250	4000	2250			
3280	6-12	5000	5000	5000	4500	4500	4500	4410	4180	2400	5000	—	5000	4560	4310	2400			
3480	6-12	5000	5000	5000	4500	4500	4500	4610	4380	2500	5000	—	5000	4760	4510	2500			
4080	6-12	5000	5000	5000	4500	4500	4500	5210	4980	2850	5000	—	5000	5360	5110	2850			

## ● Triplex mast, single/dual/special dual tires

Lifting Height	Tilt Angle	FD (G) 40K									FD (G) 40KL								
		Capacity						Overall Height			Capacity						Overall Height		
		500 mm load center			600 mm load center			Lifted			500 mm load center			600 mm load center			Lifted		
mm	degrees	kg	kg	kg	kg	kg	kg	with Backrest	without Backrest	Lowered	kg	kg	kg	kg	kg	kg	with Backrest	without Backrest	Lowered
3700	6-6	4000	4000	4000	3500	3500	3500	4830	4650	1950	4500	4500	4500	4000	4000	4000	4830	4650	1950
4000	6-6	4000	4000	4000	3500	3500	3500	5130	4950	2050	4500	4500	4500	4000	4000	4000	5130	4950	2050
4360	6-6	4000	4000	4000	3500	3500	3500	5490	5310	2170	4500	4500	4500	4000	4000	4000	5490	5310	2170
4600	6-6	4000	4000	4000	3500	3500	3500	5730	5550	2250	4500	4500	4500	4000	4000	4000	5730	5550	2250
4700	6-6	4000	4000	4000	3500	3500	3500	5830	5650	2290	4500	4500	4500	4000	4000	4000	5830	5650	2290
5050	6-6	3900	3900	3900	3500	3500	3500	6180	6000	2400	4500	4500	4500	4000	4000	4000	6180	6000	2400
5260	6-6	3800	3800	3800	3000	3400	3400	6390	6210	2470	4000	4200	4200	3600	3900	3900	6390	6210	2470
5500	6-6	2800	3500	3500	2400	3300	3300	6630	6450	2550	3600	4000	4000	3200	3800	3800	6630	6450	2550
6000	6-6	2100	3300	3300	1800	3200	3200	7130	6950	2750	2700	3700	3700	2400	3700	3700	7130	6950	2750
6500	6-6	1600	2800	2800	1400	2800	2800	7630	7450	2950	2000	2900	2900	1800	2800	2800	7630	7450	2950
7000	6-6	1200	2100	2100	1000	2100	2100	8130	7950	3150	1500	2100	2100	1300	2100	2100	8130	7950	3150

Lifting Height	Tilt Angle	FD (G) 45K									FD (G) 50K								
		Capacity						Overall Height			Capacity						Overall Height		
		500 mm load center			600 mm load center			Lifted			600 mm load center			Lifted					
mm	degrees	kg	kg	kg	kg	kg	kg	with Backrest	without Backrest	Lowered	kg	kg	kg	kg	kg	kg	with Backrest	without Backrest	Lowered
3700	6-6	5000	5000	5000	4500	4500	4500	4830	4610	2050	5000	—	5000	4990	4740	2050			
3850	6-6	5000	5000	5000	4500	4500	4500	4980	4760	2100	5000	—	5000	5140	4890	2100			
4040	6-6	5000	5000	5000	4500	4500	4500	5170	4950	2170	5000	—	5000	5330	5080	2170			
4310	6-6	5000	5000	5000	4500	4500	4500	5440	5220	2260	5000	—	5000	5600	5350	2260			
4500	6-6	5000	5000	5000	4500	4500	4500	5630	5410	2320	5000	—	5000	5790	5540	2320			
4750	6-6	5000	5000	5000	4500	4500	4500	5880	5660	2400	5000	—	5000	6040	5790	2400			
5050	6-6	5000	5000	5000	4500	4500	4500	6180	5960	2500	5000	—	5000	6340	6090	2500			
5260	6-6	4500	4600	4600	4100	4400	4400	6390	6170	2570	4500	—	4800	6550	6300	2570			
5500	6-6	3600	4400	4400	3200	4300	4300	6630	6410	2650	3200	—	4700	6790	6540	2650			
6000	6-6	2700	3700	3700	2400	3700	3700	7130	6910	2850	2400	—	3700	7290	7040	2850			
6500	6-6	2000	2900	2900	1800	2800	2800	7630	7410	3050	1800	—	2800	7790	7540	3050			
7000	6-6	1500	2100	2100	1300	2100	2100	8130	7910	3250	1300	—	2100	8290	8040	3250			

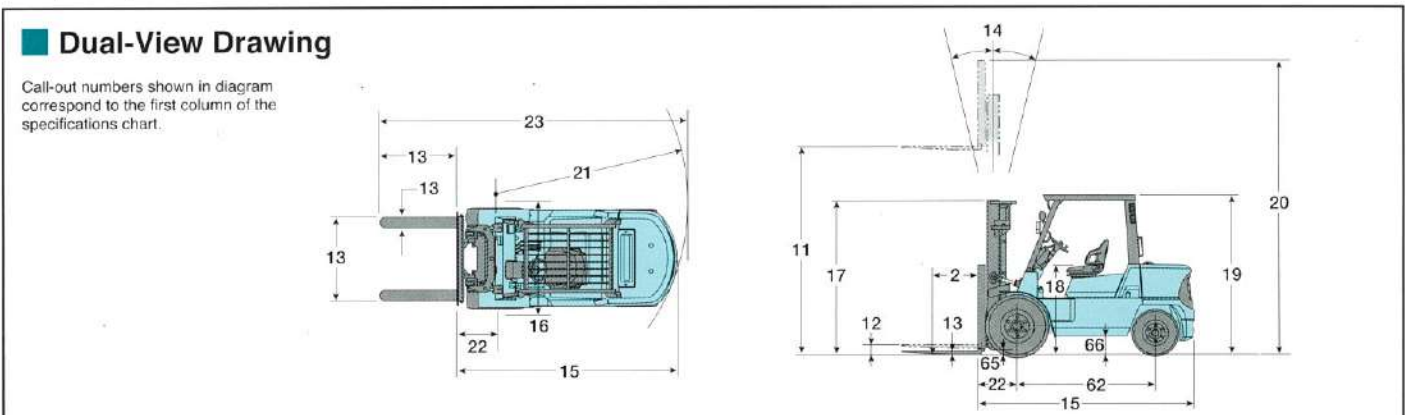


## Specifications

CHARACTERISTICS			FD40K		FG40K		FD40KL		FG40KL			
1	Capacity	at rated load center	lb kg	8000	4000/3500	8000	4000/3500	9000	4500/4000	9000	4500/4000	
2		at load center - distance	in mm	24	500/600	24	500/600	24	500/600	24	500/600	
3	Power	electric, diesel, gasoline, LP gas		diesel		gasoline/LP gas		diesel		gasoline/LP gas		
4	Tire type	cushion, pneumatic		pneumatic/pneumatic		pneumatic/pneumatic		pneumatic/pneumatic		pneumatic/pneumatic		
5	Wheels (x = driven)	number front/rear		2x/2		2x/2		2x/2		2x/2		
<b>DIMENSIONS</b>												
10	Lift	maximum fork height with rated load	in mm	197	4550/5050	197	4550/5050	197	5050/5050	197	5050/5050	
11	Lift with standard two-stage mast	maximum fork height	in mm	118	3000	118	3000	118	3000	118	3000	
12		free fork height	in mm	5.9	150	5.9	150	5.9	150	5.9	150	
13	Forks	thickness x length x width	in mm	2 x 42 x 5.9	50 x 1070 x 150	2 x 42 x 5.9	50 x 1070 x 150	2 x 42 x 5.9	50 x 1070 x 150	2 x 42 x 5.9	50 x 1070 x 150	
14	Fork spacing	out-to-out minimum/maximum	in mm	11.8/47	300/1190	11.8/47	300/1190	11.8/47	300/1190	11.8/47	300/1190	
15	Tilt	forward/backward	degrees	6/12		6/12		6/12		6/12		
16	Overall dimensions	length to fork face	in mm	121	3070	121	3070	123	3120	123	3120	
17		width	with standard tires	in mm	55.5	1415	55.5	1415	57.5	1460	57.5	1460
18			w/optional duals	in mm	70	1780	70	1780	70	1780	70	1780
19		w/optional special duals	in mm	77.5	1965	77.5	1965	77.5	1965	77.5	1965	
20		with lowered mast	in mm	85.5	2170	85.5	2170	85.5	2170	85.5	2170	
21	height	seat height	in mm	49	1241	49	1241	49	1241	49	1241	
22		to top of overhead guard	in mm	88.5	2250	88.5	2250	88.5	2250	88.5	2250	
23		with extended mast (with backrest)	in mm	163	4130	163	4130	163	4130	163	4130	
24		with extended mast (without backrest)	in mm	155	3930	155	3930	155	3930	155	3930	
25	Minimum outside turning radius	in mm	107.5	2735	107.5	2735	109.5	2775	109.5	2775		
26	Load moment constant	in mm	21.9	557	21.9	557	21.9	557	21.9	557		
27	Minimum aisle for right angle stacking with std. fork	in mm	171.5	4360	171.5	4360	179.5	4550	179.5	4550		
<b>PERFORMANCE</b>												
40	Speeds	travel speed* (powershift) loaded/empty	mph km/h	11/12	17.5/19.5	11.5/12	18.5/19.5	11/12	18.0/19.5	11.5/12	18.0/19.5	
41		travel speed (manual) loaded/empty	km/h	—/—	17.5/19.5	—	—	—/—	18.0/19.5	—	—	
42	Drawbar pull	lift speed loaded/empty	fpm mm/s	98/103	500/520	100/100	510/510	98/103	500/520	100/100	510/510	
43		lowering speed loaded/empty	fpm mm/s	100/100	500/500	99/99	500/500	100/100	500/500	99/99	500/500	
44	Gradeability	loaded at 1 mph (1.6 km) powershift/manual	lb kg	4475/—	2000/1700	5575/—	2500/—	4325/—	2000/1600	5600/—	2500/—	
45		loaded maximum powershift/manual	lb kg	5250/—	2400/1700	6500 (6475)/—	2900/—	5057/—	2300/1600	6550/—	3000/—	
46	Gradeability	loaded at 1 mph (1.6 km) powershift/manual	%	22.6/—	23/19.5	29.5 (29.3)/—	29.9 (29.7)/—	20/—	20.4/17.2	26.8 (26.7)/—	27.0 (26.9)/—	
47		maximum (powershift) loaded/empty	%	26.9/27.3	27.4/27.3	35.1 (34.9)/27.5 (27.4)	35.7 (35.4)/27.5 (27.4)	23.7/25.7	24.1/25.7	31.9 (31.8)/25.4 (25.2)	32.2 (32.0)/25.4 (25.2)	
48	maximum (manual) loaded/empty	%	—/—	19.5/27.2	—	—	—/—	17.2/25.6	—	—		
<b>WEIGHT</b>												
50	Empty	front, standard tires powershift/manual	lb kg	12400/—	5630/5600	12200 (12300)/—	5530 (5570)/—	13300/—	6030/6010	13050 (13150)/—	5930 (5970)/—	
51		front, optional duals powershift/manual	lb kg	12800/—	5820/5790	12450 (12550)/—	5650 (5700)/—	13600/—	6170/6140	13250 (13350)/—	6000 (6050)/—	
52		front, optional special duals powershift/manual	lb kg	12900/—	5860/5840	12550 (12650)/—	5700 (5740)/—	13700/—	6210/6190	13350 (13450)/—	6050 (6090)/—	
53	Axle load	with rated load front/rear	lb kg	18200/2200	8050/1080	18100/2100 (2200)	7990/1040 (1080)	19750/2550	8820/1210	19600/2450 (2550)	8750 (8750)/1170 (1210)	
54		without load front/rear	lb kg	5550/6850	2520/3110	5450 (6750) (6850)	2470 (2460) (3080) (3110)	5500/7800	2500/3530	5350 (7700) (7800)	2440 (3490) (3540)	
<b>CHASSIS</b>												
60	Tire size	front, standard	in	8.25 x 15-14PR (I)		8.25 x 15-14PR (I)		300 x 15-18PR (I)		300 x 15-18PR (I)		
61		front, optional dual	in	7.5 x 16-12PR (I)		7.5 x 16-12PR (I)		7.5 x 16-12PR (I)		7.5 x 16-12PR (I)		
62		front, optional special dual	in	8.25 x 15-12PR (I)		8.25 x 15-12PR (I)		8.25 x 15-12PR (I)		8.25 x 15-12PR (I)		
63	Wheelbase	rear	in	7 x 12-12PR (I)		7 x 12-12PR (I)		7 x 12-12PR (I)		7 x 12-12PR (I)		
64		in mm	78.5	2000	78.5	2000	78.5	2000	78.5	2000		
65	Tread width	front, standard tires	in mm	46.5	1175	46.5	1175	46.5	1175	46.5	1175	
66		front, optional duals	in mm	51.5	1310	51.5	1310	51.5	1310	51.5	1310	
67		front, optional special duals	in mm	57	1445	57	1445	57	1445	57	1445	
68		rear tires	in mm	46.5	1180	46.5	1180	46.5	1180	46.5	1180	
69	Ground clearance	at lowest point @ mast	in mm	5.9	150	5.9	150	5.9	150	5.9	150	
70		at center of wheelbase	in mm	9.9	252	9.9	252	9.9	252	9.9	252	
71	Brakes	service		hydraulic w/vacuum boost		hydraulic w/vacuum boost		hydraulic w/vacuum boost		hydraulic w/vacuum boost		
72		parking		hand, mechanical		hand, mechanical		hand, mechanical		hand, mechanical		
<b>POWER TRAIN</b>												
80	Engine	manufacturer and model		S6S		TB45		S6S		TB45		
81		Rated output S.A.E. gross	HP kW<ps>	84	62.5<85>	96.5	72<97.5>	84	62.5<85>	96.5	72<97.5>	
82			at rpm	2450	2450	2450	2450					
83		Maximum torque S.A.E. gross	lb ft Nm<kgm>	185	250<25.5>	207	280<29>	185	250<25.5>	207	280<29>	
84	at rpm		1600	1600	1200	1600						
85	Transmission	cylinder/displacement	cu in cm <sup>3</sup>	6/305	6/4996	6/275	6/4500	6/305	6/4996	6/275	6/4500	
86		type		powershift/manual		powershift		powershift/manual		powershift		
87	number of speed toward/reverse		1/1		1/1		1/1		1/1			
88	Relief pressure	for attachments	psi MPa	2775	19.1	2775	19.1	2775	19.1	2775	19.1	
89	Noise level	mean value at operator's ear Leq	dB (A)	81		82		81		82		

The value in parentheses is for the FHS (Full Hydraulic Steering System) model.

\* For optional 2-speed automatic transmission, add 2.2 mph (3.5 km/h). 2-speed automatic transmission standard on models DP50K and GP50K.





FD45K		FG45K		FD50K		FG50K	
10000	5000/4500	10000	5000/4500	11000	5000	11000	5000
24	500/600	24	500/600	24	600	24	600
diesel		gasoline/LP gas		diesel		gasoline/LP gas	
pneumatic/pneumatic		pneumatic/pneumatic		pneumatic/pneumatic		pneumatic/pneumatic	
2x/2		2x/2		2x/2		2x/2	
197	5050/5050	197	5050/5050	197	5060	197	5060
118	3000	118	3000	118	3000	118	3000
5.9	150	5.9	150	6.5	160	6.5	160
2 x 42 x 5.9	50 x 1070 x 150	2 x 42 x 5.9	50 x 1070 x 150	2.4 x 48 x 5.9	60 x 1220 x 150	2.4 x 48 x 5.9	60 x 1220 x 150
11.8/47	300/1190	11.8/47	300/1190	11.8/47	300/1190	11.8/47	300/1190
6/12		6/12		6/12		6/12	
125	3175	125	3175	130	3305	130	3305
57.5	1460	57.5	1460	57.5	1460	57.5	1460
70	1780	70	1780	—	—	—	—
77.5	1965	77.5	1965	77.5	1965	77.5	1965
88.5	2250	88.5	2250	88.5	2250	88.5	2250
49	1241	49	1241	49	1241	49	1241
88.5	2250	88.5	2250	88.5	2250	88.5	2250
163	4130	163	4130	168.5	4290	168.5	4290
153	3890	153	3890	158.5	4030	158.5	4030
111	2820	111	2820	116.5	2965	116.5	2965
22.1	562	22.1	562	22.9	582	22.9	582
181	4601	181	4601	187.5	4770	187.5	4770
11/12		11/12		13/14.5		13/14.5	
—/—		—		—		—	
85/89	430/450	87/87	440/440	82/86	420/440	84 (87/84)	430 (440/430)
100/100	500/500	98/98	500/500	100/100	500/500	98/98	500/500
4325/—	2000/1700	5600/—	2500/—	5925/—	2700/—	7800/—	3500/—
5057/—	2300/1700	6550/—	3000/—	7475/—	3400/—	9750/—	4400/—
18/—	18.3/15.4	24.0 (23.9)/—	24.1 (24)/—	23.3/—	23.5/—	31.6 (31.5)/—	31.6 (31.5)/—
21.4/24.3	21.7/24.3	28.6 (28.4)/22.4 (22.3)	28.7 (28.5)/22.4 (22.3)	30.1/26.3	30.4/26.3	41.5 (41.4)/25.6 (25.7)	41.5 (41.3)/25.6 (25.7)
—/—		—		—		—	
14500/—	6590/6560	14300 (14400)/—	6490 (6530)/—	15650/—	7100/—	15450 (15500)/—	7010 (7050)/—
14850/—	6730/6700	14450 (14550)/—	6560 (6610)/—	—	—	—	—
14950/—	6770/6750	14550 (14650)/—	6610 (6650)/—	16100/—	7300/—	15700 (15800)/—	7130 (7170)/—
21500/3000	9690/1400	21150/3150 (3250)	9510/1480 (1520)	23590/3070	10690/1410	23450 (23500/3000) (3050)	10630 (10650/1380) (1400)
5650/8850	2570/4020	5300/9000 (9100)	2400 (2330)/4050 (4140)	6500/9150	2940/4160	6350 (6400/9100) (9150)	2880 (2900/4130) (4150)
300 x 15-18PR (I)		300 x 15-18PR (I)		300 x 15-18PR (I)		300 x 15-18PR (I)	
7.5 x 16-12PR (I)		7.5 x 16-12PR (I)		—		—	
8.25 x 15-12PR (I)		8.25 x 15-12PR (I)		8.25 x 15-12PR (I)		8.25 x 15-12PR (I)	
7 x 12-12PR (I)		7 x 12-12PR (I)		7 x 12-14PR (I)		7 x 12-14PR (I)	
78.5	2000	78.5	2000	84.5	2150	84.5	2150
46.5	1175	46.5	1175	46.5	1175	46.5	1175
51.5	1310	51.5	1310	—	—	—	—
57	1445	57	1445	57	1445	57	1445
46.5	1180	46.5	1180	46.5	1180	46.5	1180
5.9	150	5.9	150	5.9	150	5.9	150
9.9	252	9.9	252	9.9	252	9.9	252
hydraulic w/vacuum boost		hydraulic w/vacuum boost		hydraulic w/vacuum boost		hydraulic w/vacuum boost	
hand, mechanical		hand, mechanical		hand, mechanical		hand, mechanical	
S6S		TB45		S6S		TB45	
84	62.5<85>	96.5	72<97.5>	84	62.5<85>	96.5	72<97.5>
	2450		2450		2450		2450
185	250<25.5>	207	280<29>	185	250<25.5>	207	280<29>
	1600		1200		1600		1200
6/305	6/4996	6/275	6/4500	6/305	6/4996	6/275	6/4500
powershift/manual		powershift		powershift		powershift	
1/1		1/1		2/2		2/2	
2775	19.1	2775	19.1	2775	19.1	2775	19.1
81		82		81		82	

## Options

- Corrugated square fin radiator
- Elevated exhaust muffler
- Cyclone muffler
- Dual tires
- Dual element air cleaner
- Hydraulic oil cooler

## Optional masts

- Simplex mast except 3 m lifting height
- Duplex mast
- Triplex mast

## Optional Attachments

A variety of optional attachments are available to make operation even more comfortable and efficient.

### Side Shifters

### Bale clamps

### Fork positioners

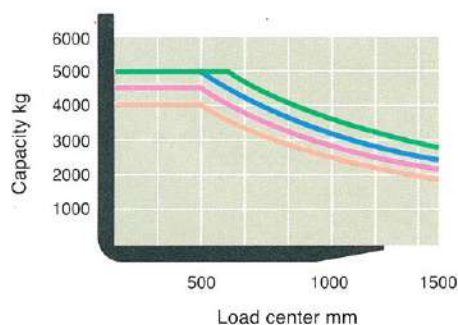
### Hinged forks

### Roll clamps

### Rotating forks

● Other attachments are also available. Please contact your local dealer for details.

## Capacity Charts



- FD40K, FG40K
- FD40KL, FG40KL
- FD45K, FG45K
- FD50K, FG50K



# A Reputation for Reliability by Design



[enquiry@mitforklift.com.sg](mailto:enquiry@mitforklift.com.sg)  
[www.mitforklift.com.sg](http://www.mitforklift.com.sg)

Copyright © 2004 by MCFS, All Rights Reserved. All registered trademarks are the property of their respective owners. Printed in Singapore.

FMIT 0060-01

05/08

Presented by: