



DB600 REAL-TIME DATA BUOY

ALL-IN-ONE, RUGGED, REMOTE MONITORING SYSTEM

Deploying a high-quality data buoy has never been easier, or more affordable.

The DB600 arrives with fully-integrated electronics and can be assembled and deployed by one person. With its unique all-in-one (Ai1) telemetry system, high-efficiency solar-based power system, and field-ruggedized YSI buoy, the DB600 can be deployed for low-seastate and freshwater applications.



Lightweight; deployable by one person



Hinged lockable deployment tube secures sensor against loss



Marine-grade materials tough enough for long-term deployments



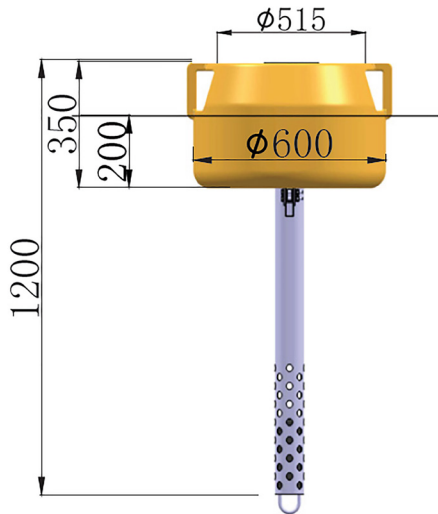
Plug and play compatibility with industry-leading sensors, YSI EXO, Aanderaa DCS and many other third party sensors



Ideal for use with YSI HydroSphere and other cloud platforms



DB600 BUOY ALL-IN-ONE, REAL TIME DATA BUOY



Package Includes:



YSI buoy



Stainless steel sensor deployment tube



Ai1 logging and communication system



Solar power system



Sensor cable



Navigation beacon



GPS for position tracking

DB600 Specifications

Diameter	600 mm
Material	Polyethylene float. SS316 deployment tube
Weight	21 kg (including sonde tube)
Freeboard	200 mm at maximum weight

Ai1 Standard Config Specifications

Connection	Plug-n-play, depending on sensor selections at time of purchase
Inputs	Analog and digital
Communications	4G or Iridium SBD Satellite
Power	3 x 9W solar panels (27W total, effectively 8W on rotating buoy), 7Ah battery
Waterproof	IP67

Ai1 Detailed Specifications

Inputs & Outputs

- 3 inputs, 24-bit resolution, -100 to +2500 mV range, $\pm 0.04\%$ accuracy (0 to 40°C)
- 7 configurable digital and pulse counting ports
- Integrated USB port and 2 x RS232 ports
- Option port typically fitted with RS485 adapter for EXO Sonde
- Integrated GPS for location tracking

Communications

- Select 4G cellular or Iridium Satellite
- Management of communications through datalogger program for power optimization
- Cellular and Satellite models support Hydroshere and other cloud connections

Power

- Smart sensor power management (12V/800mA and 5V/1A switched power output)

General

- Inbuilt status LED indicators and optional internal display
- IP67 (NEMA 4X) before being modified for sensor mounting or cable entry
- Battery-backed internal clock ± 1 min/month. Execution rate from 0.1s to once/day
- -5°C to +50°C operating range (lithium charging)
- 1 year warranty, return to base, parts and labor