

TEMPERATURE CONTROLLER TC-421P



TECH SPECS

Model	TC-421P
Dimension (HxWxD) mm	48 x 48 x 70
Panel Cutout	45 x 45
Input	J/K
Range	J: 0 to 600° C, K: 0 to 999° C
Output	1 Relay 1 C/O, 10A 230V AC & SSR 12V DC Parallel (1 Set point)
Control Action	PID / TP / ON-OFF (Configurable)
Mode	Heating / Cooling (Configurable)
Power Supply	100-270V AC, 50/60 HZ

APPLICATIONS

Packaging Machinery

Extrusion Machinery

Furnace & Boilers

Ovens & Incubators

Food Industry

Technical Specifications

Input	
Input Type	Thermocouple : (J, K)
Display Range	Refer (Table 1)
Accuracy	± 1% of FSD
ADC Resolution	10 Bits
Display Resolution	Thermocouple : 1 °C
Sample Rate	6 Sample / Sec
CJC Error	± 2 °C
Sensor Open	All Input
Sensor Burnout Current	1.10uA
RTD Excitation Current	0.2mA
CMRR	>120 db (Typical)
Input Impedance	>1M
Max Voltage	20V DC

Output	
Control Output	
Control Type	On-Off, Auto tune PID,TP
Proportional Band	0.0 to 999
Integral Time	0 to 999
Derivative Time	0 to 999
Cycle Time	4 sec to 99 sec
Relay Control Output	
Relay	1 Nos.
Rating	10A @230V AC / 28V DC Resistive Load
SSR Control Output	
Rating	12V DC @30mA

Physical			
	TC-421P		
Enclosure	Molded ABS		
Weight	230gm	180gm	110gm
Color	Black		
Front Bezel (mm)	48 x 48		
Panel cutout (mm)	45 x 45		
Depth behind panel	52 mm	45 mm	70 mm
Accessories	1 pair of Mounting clamp		
Terminal Cable Size	Barrier Type terminal Cable Size (2.5 mm ²)		

Environmental	
Operating Temperature	0 to 55 °C
Storage Temperature	0 to 70 °C
Humidity	95% RH Non-condensing
Protection	IP 54 (Front Side)

Power Supply	
Standard	100 - 270V AC @ 50/60 Hz
Optional	24V DC
Consumption	4VA

Display (Table 1)	
	TC-421P
Process Value	UPPER: 3 Digit 7 seg 0.63",RED/ WHITE LED Display
Set Value	LOWER: 3 Digit 7 seg 0.30",GREEN LED Display
Keys	SET, INC, DEC, ENT
LED Indication	Relay , SSR

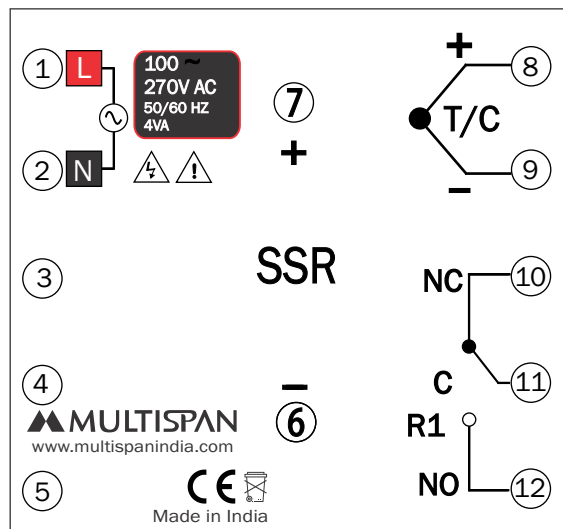
Table 1 (Sensor Range)

J	0 to 600 °C
K	0 to 999 °C

Mechanical Dimension

Outline Dimension (mm)	Panel Cutout Dimension (mm)
<p>48</p> <p>48</p> <p>3</p> <p>70</p>	<p>45</p> <p>45</p>

Terminal Diagram



Multispan Control Instruments Pvt. Ltd.

72/B, Phase 1, GIDC Estate, Vatva, Ahmedabad-382445, Gujarat, India.

+91-7575805463/7623001206

support@multispanindia.com

Follow us



www.multispanindia.com