

TEMPERATURE CONTROLLER

PTC-L12-M1



TECH SPECS

Dimension (HxWxD) mm	96 x 96 x 54								
Panel Cutout (HxW) mm	92 x 92								
Input	<table border="0"> <tr> <td>Thermocouple</td> <td>J / K (Configurable)</td> </tr> <tr> <td>RTD</td> <td>PT-100/3Wire (Configurable)</td> </tr> <tr> <td>Analog</td> <td>0-10V DC, 0-20mA DC, 4-20mA DC (Configurable)</td> </tr> </table>	Thermocouple	J / K (Configurable)	RTD	PT-100/3Wire (Configurable)	Analog	0-10V DC, 0-20mA DC, 4-20mA DC (Configurable)		
Thermocouple	J / K (Configurable)								
RTD	PT-100/3Wire (Configurable)								
Analog	0-10V DC, 0-20mA DC, 4-20mA DC (Configurable)								
Range	<table border="0"> <tr> <td>Thermocouple</td> <td>J: (0 to 600 °C), K: (0 to 1200 °C)</td> </tr> <tr> <td>RTD</td> <td>PT-100: (-99 to 400 °C)/ PT.1: (-99.0 to 400.0 °C)</td> </tr> <tr> <td>Analog</td> <td>-999 to 9999</td> </tr> </table>	Thermocouple	J: (0 to 600 °C), K: (0 to 1200 °C)	RTD	PT-100: (-99 to 400 °C)/ PT.1: (-99.0 to 400.0 °C)	Analog	-999 to 9999		
Thermocouple	J: (0 to 600 °C), K: (0 to 1200 °C)								
RTD	PT-100: (-99 to 400 °C)/ PT.1: (-99.0 to 400.0 °C)								
Analog	-999 to 9999								
Output	<table border="0"> <tr> <td>Output 1</td> <td>Relay 1 C/O, 5A@230V AC For Resistive Load or SSR 12V DC,20A (1st Set point)</td> </tr> <tr> <td>Output 2</td> <td>Relay 1 C/O, 5A@230V AC For Resistive Load or SSR 12V DC,20A (2nd Set point)</td> </tr> <tr> <td>Output 3</td> <td>24V DC Transmitter supply</td> </tr> <tr> <td>Output 4</td> <td>RS-485 RTU MODBUS Communication Protocol</td> </tr> </table>	Output 1	Relay 1 C/O, 5A@230V AC For Resistive Load or SSR 12V DC,20A (1 st Set point)	Output 2	Relay 1 C/O, 5A@230V AC For Resistive Load or SSR 12V DC,20A (2 nd Set point)	Output 3	24V DC Transmitter supply	Output 4	RS-485 RTU MODBUS Communication Protocol
Output 1	Relay 1 C/O, 5A@230V AC For Resistive Load or SSR 12V DC,20A (1 st Set point)								
Output 2	Relay 1 C/O, 5A@230V AC For Resistive Load or SSR 12V DC,20A (2 nd Set point)								
Output 3	24V DC Transmitter supply								
Output 4	RS-485 RTU MODBUS Communication Protocol								
Control Action	PID / ON-OFF (Configurable)								
Power Supply	100-270V AC, 50/60 HZ								
Certification									

APPLICATIONS

Pharmaceutical Industries

Extrusion Machinery

Furnace & Boilers

Ovens & Incubators

Process Industry

Technical Specifications

Input	
Input Type	Thermocouple : J, K RTD : PT-100, PT.1 Analog : 0-10V DC 4-20mA DC 0-20mA DC
Input Range	Refer (Table 1)
Accuracy	± 1% of FSD
ADC Resolution	12 Bit
Display Resolution	Thermocouple :- 1° C RTD :- For PT: 1° C For PT.1: 0.1° C
Sample Time	600 msec
Sample Rate For Analog I/P	0.1 Sec To 10 Sec (Configurable)
CJC Error	± 2° C
Sensor Open	Thermocouple:- J, K, RTD:- PT, Analog:- 4 to 20mA
Sensor Burnout Current	1.10uA
RTD Excitation Current	0.2mA
CMRR	>120 dB (Typical)
Max Voltage	20V DC
Response Time	675mS

Table 1 (Input Range)

J	0 to 600°C
K	0 to 1200°C
PT-100	-99 to 400°C
PT.1	-99.0 to 400.0°C
0-10V DC	-999 to 9999
4-20mA DC	-999 to 9999
0-20mA DC	-999 to 9999

Power Supply

Standard	100 - 250V AC @ 50/60 Hz
Optional	24V DC
Consumption	4VA

Output	
Control Output	
Control Type	ON-OFF, Auto tune PID
Proportional Band	0000 to 999.9
Integral Time	0000 to 9999
Derivative Time	0000 to 9999
Cycle Time For SSR and Relay	4 sec to 99 sec
Relay Control Output	
Relay	2 (NO - C - NC)
Rating	Relay 1: 5A @230V AC / 28V DC Resistive Load Relay 2: 5A @230V AC / 28V DC Resistive Load
SSR Control Output	
Rating	12V DC @25mA

Display & Keys

128 x 64 Bit Graphical LCD Display

4 controlling keys for configuration and operation
SET, UP, DOWN, ENT

Environmental

Operating Temperature	0 to 55°C
Storage Temperature	0 to 70°C
Humidity	95% RH Non-condensing
Protection	IP 65 (Front Side)

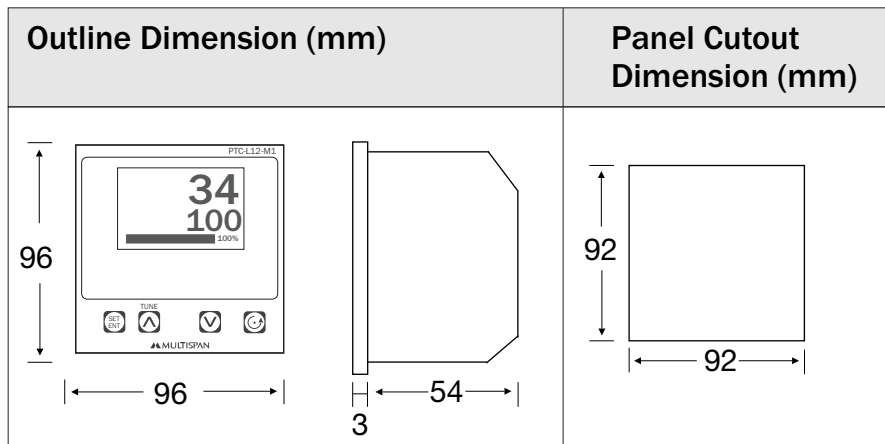
Communication

Type	RS 485
Protocol	MODBUS RTU
Baud Rate	4800, 9600, 19200
Isolation	2500 V _{RMS} Isolation as per UL 1577

Physical

	PTC-L12-M1
Mount	Panel
Enclosure	Molded ABS
Weight (gm)	315
Color	Black
Front Bezel (mm)	96 x 96
Panel cutout (mm)	92 x 92
Depth behind panel (mm)	54
Accessories	1 pair of Mounting clamp
Terminal Cable Size	Barrier Type terminal Cable Size (2.5 mm ²)

Mechanical Dimension



Connection Diagram

