

TEMPERATURE CONTROLLER UTC-3203



TECH SPECS

Model	UTC-3203
Dimension (HxWxD) mm	96 x 48 x 85
Input	Thermocouple:- J / K RTD :- PT-100 3Wire /2Wire (Configurable)
Range	Thermocouple:- J: 0 - 600 °C, K: 0 to 1200 °C RTD :- PT-100: -99 to 400 °C/ PT.1: -99.9 to 400.0 °C
Output	3 Relay 1 C/O Contact, 5A@230V AC
Control Action	PID / TP/ ON-OFF (Configurable)
Power Supply	100-250V AC, 50/60 HZ, Approx 4VA
Certification	

APPLICATIONS

Pharmaceutical Industries

Extrusion Machinery

Furnace & Boilers

Ovens & Incubators

Process Industry

Technical Specifications

Input	
Input Type	Thermocouple : J, K RTD : PT-100, PT.1
Display Range	Refer (Table 1)
Accuracy	± 1% of FSD
ADC Resolution	10 Bits
Display Resolution	J/K,PT-100 = 1 °C PT.1 = 0.1 °C
Sample Time	600 msec

Output	
Relay Control Output	
Relay	3 Relay 1C/O
Rating	5A @230V AC/12V DC Resistive Load

Table 1 (Input Range)	
J	0 to 600 °C
K	0 to 1200 °C
PT-100	-99 to 400 °C
PT.1	-99.9 to 400.0 °C

Display	
Display	Upper :- 4 Digit 7 seg 0.56" Red LED Display LOWER :- 4 Digit 7 seg 0.33" Green LED Display
LED Status	Relay Indication LED

Control Method	
Heating	1) PID Control with Auto-Tuning 2) TP/ON-OFF Control
Cooling	1) ON-OFF Control
Alarm	Inband, Outband, High, Low, Absolute Outband,

Keys
4 controlling keys for configuration and operation SET, INC, DEC, ENT

Power Supply	
Standard	100 - 250V AC @ 50/60 Hz
Consumption	4VA

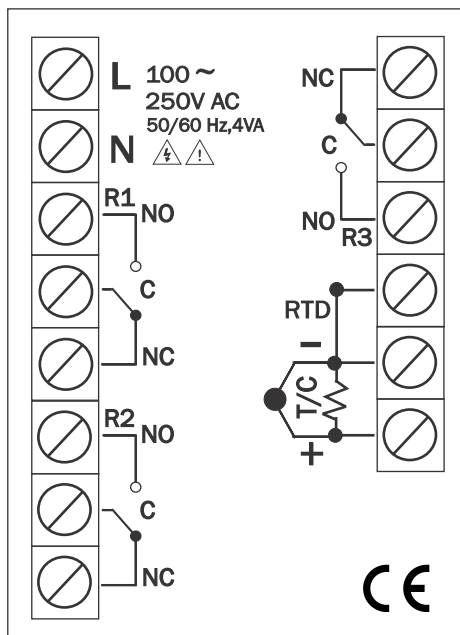
Physical	
Mounting Type	Panel Mount
Color	Black
Front Bezel (mm)	96 x 48
Panel cutout (mm)	92 x 45
Depth behind panel (mm)	85
Accessories	1 pair of Mounting clamp
Terminal Cable Size	Barrier Type terminal Cable Size (2.5 mm ²)

Environmental	
Operating Temperature	0 to 55 °C
Storage Temperature	0 to 70 °C
Humidity	95% RH Non-condensing
Protection	IP 65 (Front Side)

MECHANICAL INSTALLATION

Outline Dimension (mm)	Panel Cutout Dimension (mm)

Connection Diagram



Multispan reserves the right to change specifications without prior notice. Printing and typographical errors reserved. Product improvement and upgrade is a constant procedure. So for more updated operating information & support contact us.