

TEMPERATURE CONTROLLER TC-49



TECH SPECS

Model	TC-49
Dimension (HxWxD) mm	48 x 48 x 70
Panel Cutout	45 x 45
Input	J/K or PT-100 2W/3W (Factory Set)
Range	J: 600° C, K: 999° C PT-100 : -50° C to 400° C
Output	1 Relay 1 C/O, 5A, 230V AC (Resistive Load) & SSR Drive O/P 12V DC, 20mA (Parallel to Relay)
Control Action	TP / ON-OFF
Power Supply	100-270V AC, 50/60 HZ

APPLICATIONS

Packaging Machinery

Extrusion Machinery

Furnace & Boilers

Ovens & Incubators

Food Industry

Technical Specifications

Input	
Input Type	Thermocouple : (J, K) or PT-100
Display Range	Refer (Table 1)
Accuracy	± 1% of FSD
ADC Resolution	10 Bits
Display Resolution	Thermocouple : 1 °C RTD : 1 °C
Sample Rate	6 Sample / Sec
CJC Error	± 2 °C
Sensor Open	All Input
Sensor Burnout Current	1.10uA
RTD Excitation Current	0.2mA
CMRR	>120 db (Typical)
Input Impedance	>1M
Max Voltage	20V DC

Output	
Control Output	
Control Type	On-Off, TP
Relay Control Output	
Relay	1 Nos.
Rating	5A @230V AC / 28V DC Resistive Load
SSR Control Output	
Rating	12V DC @30mA

Display	
Process Value	3 Digit 7 seg 0.8", RED LED Display
Keys	SET, UP, DOWN
LED Indication	OUT

Physical	
	TC-49
Enclosure	Molded PC
Color	Black
Front Bezel (mm)	48 x 48
Panel cutout (mm)	45 x 45
Depth behind panel	70 mm
Accessories	1 pair of Mounting clamp
Terminal Cable Size	Barrier Type terminal Cable Size (2.5 mm ²)

Environmental	
Operating Temperature	0 to 55 °C
Storage Temperature	0 to 70 °C
Humidity	95% RH Non-condensing
Protection	IP 54 (Front Side)

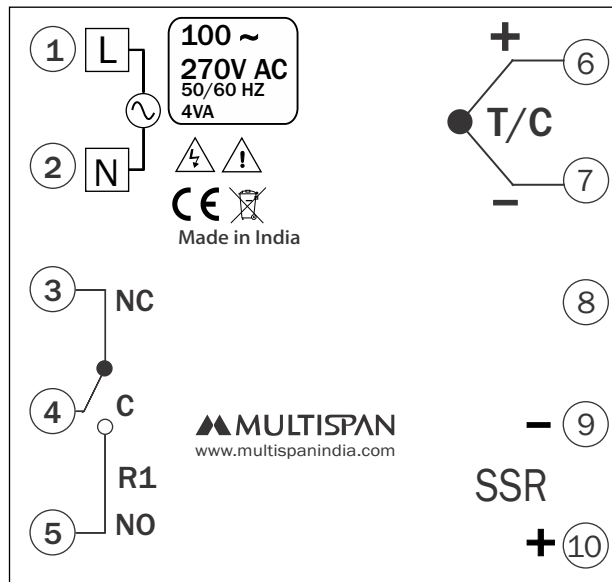
Table 1 (Sensor Range)	
J	0 to 600 °C
K	0 to 999 °C
PT-100	-50 to 400 °C

Power Supply	
Standard	100 - 270V AC @ 50/60 Hz
Optional	24V DC
Consumption	4VA

Mechanical Dimension

Outline Dimension (mm)	Panel Cutout Dimension (mm)

Connection Diagram



Multispan reserves the right to change specifications without prior notice. Printing and typographical errors reserved.
 Product improvement and upgrade is a constant procedure. So for more updated operating information & support contact us.

Multispan Control Instruments Pvt. Ltd.

72/B, Phase 1, GIDC Estate, Vatva, Ahmedabad-382445, Gujarat, India.

+91-7575805463/7623001206

support@multispanindia.com

Follow us



www.multispanindia.com