

# MODULER TEMPERATURE CONTROLLER DTC-1X & DTC-1A



## TECH SPECS

Model	DTC-1X & DTC-1A
Dimension (HxWxD) mm	76 x 27 x 116
Input	J/K/PT-100/PT.1
Range	J: 0 to 600° C, K: 0 to 1200° C, PT-100 -99 to 400° C, PT-.1: -99.9 to 400.0° C
Output	2 Relay (NO-C), 5A, 230V AC/28V DC
Control Action	PID / TP/ ON-OFF ( Configurable )
Mode	Heating / Cooling / Alarm ( Configurable )
Power Supply	24V DC

## APPLICATIONS

Packaging Machinery

Extrusion Machinery

Furnace & Boilers

Ovens & Incubators

Food Industry

# Technical Specifications

Input	
Input Type	Thermocouple : ( J, K ) PT-100 2 Wire or 3 Wire (Factory Set)
Display Range	Refer ( Table 1 )
Accuracy	± 1% of FSD
ADC Resolution	10 Bits
Display Resolution	Thermocouple : 1 °C RTD : 0.1 °C
Sample Rate	6 Sample / Sec
CJC Error	± 2 °C
Sensor Open	All Input
Sensor Burnout Current	1.10uA
RTD Excitation Current	0.2mA
CMRR	>120 db ( Typical )
Input Impedance	>1M
Max Voltage	20V DC

Physical	
	DTC-1X & DTC-1A
Front Bezel ( mm )	76(H) x 27(W)
Depth behind panel	116(D) mm

Power Supply	
Standard	24V DC

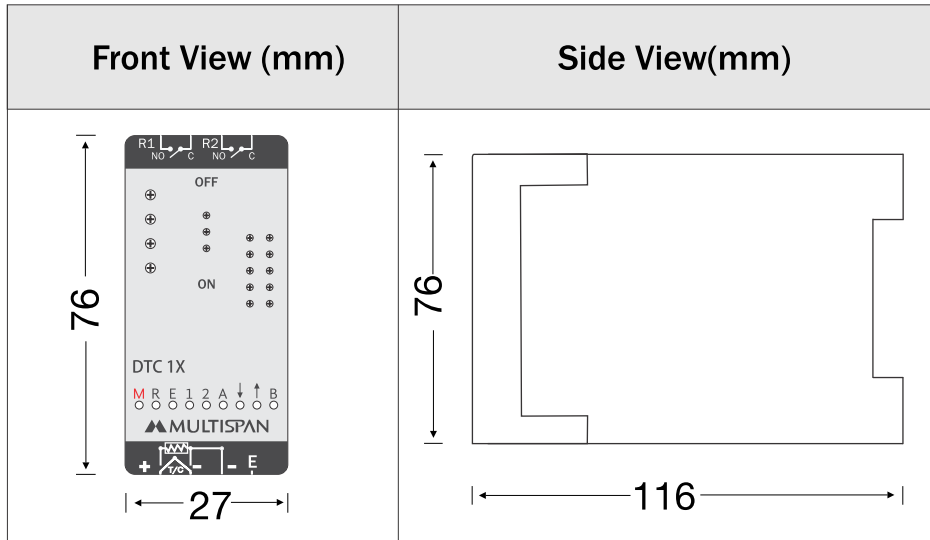
Output	
Control Output	
Control Type	PID, TP, On-Off
Relay Control Output	
Relay	2 Nos. (NO-C) Type
Rating	5A @230V AC / 28V DC Resistive Load

Modbus Communication	
Slave Address	1 to 127
Baudrate	2400,4800,9600,19200,38400
Parity	None, Even, Odd
Datatype	Sign, Integer, Float

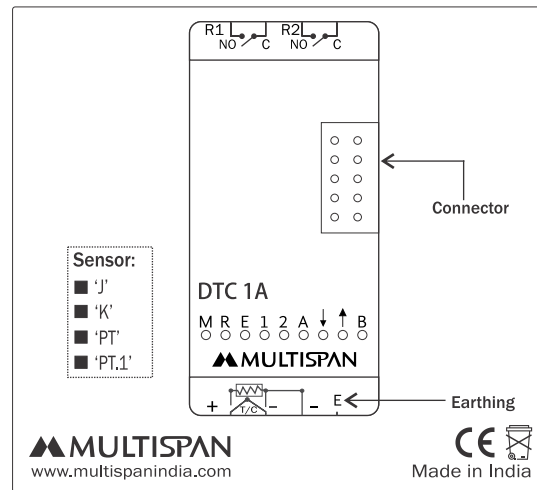
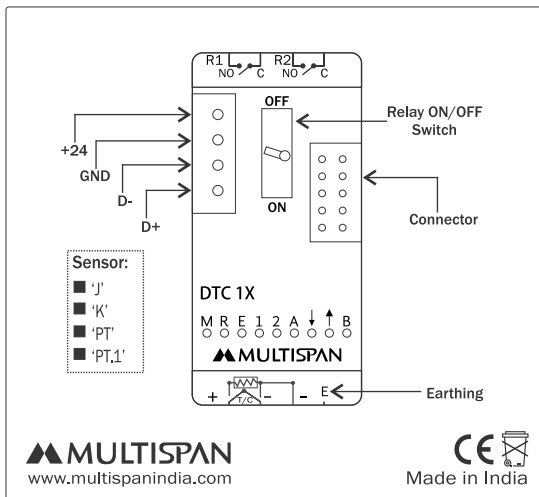
Environmental	
Operating Temperature	0 to 55 °C
Storage Temperature	0 to 70 °C
Humidity	95% RH Non-condensing

Table 1 ( Sensor Range )	
J	0 to 600 °C
K	0 to 1200 °C
PT-100 2 Wire or 3 Wire	-99 to 400 °C, -99.9 to 400.0 °C

## Mechanical Dimension



## Terminal Diagram



Multispan reserves the right to change specifications without prior notice. Printing and typographical errors reserved.  
Product improvement and upgrade is a constant procedure. So for more updated operating information & support contact us.

### Multispan Control Instruments Pvt. Ltd.

72/B, Phase 1, GIDC Estate, Vatva, Ahmedabad-382445, Gujarat, India.

+91-7575805463/7623001206

support@multispanindia.com

Follow us



www.multispanindia.com